

---

## Exploded views booklet

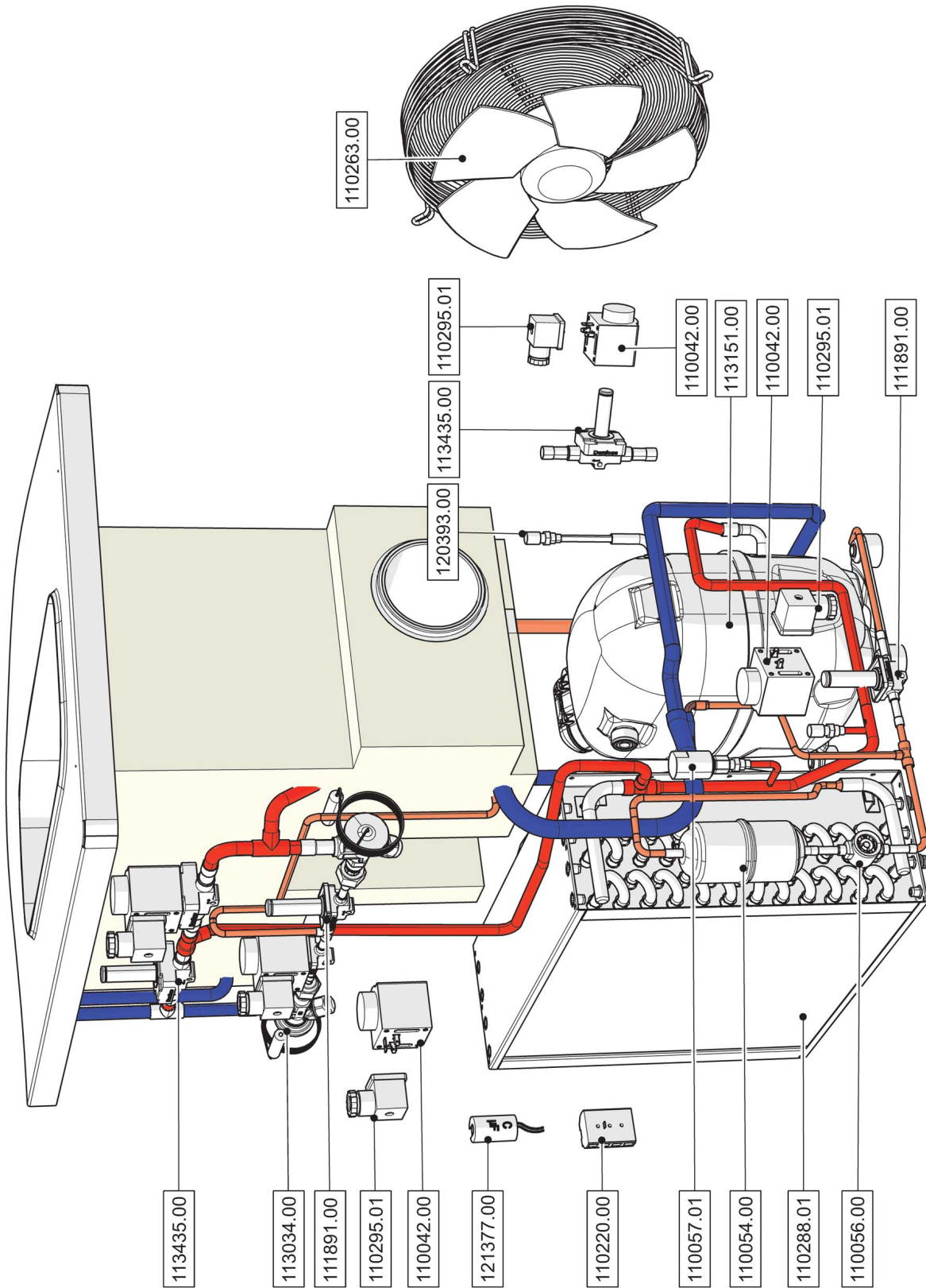
# Serial Number: 62L63

**Model: BC 151 HTP - 3Ph-380/415V-50Hz - Air**

**Year of manufacture: 04-2021**

## Index

Exploded view 1505 .....	2
Exploded view 1421 .....	4
Exploded view 1038 .....	6
Exploded view 1128 .....	8
Exploded view 950 .....	10
Exploded view 706 .....	12
Exploded view 640 .....	14
Exploded view 978 .....	16
Wiring diagram .....	18
Component list L1363 .....	24



CIRCUITO FRIGORIFERO  
REFRIGERATING SYSTEM

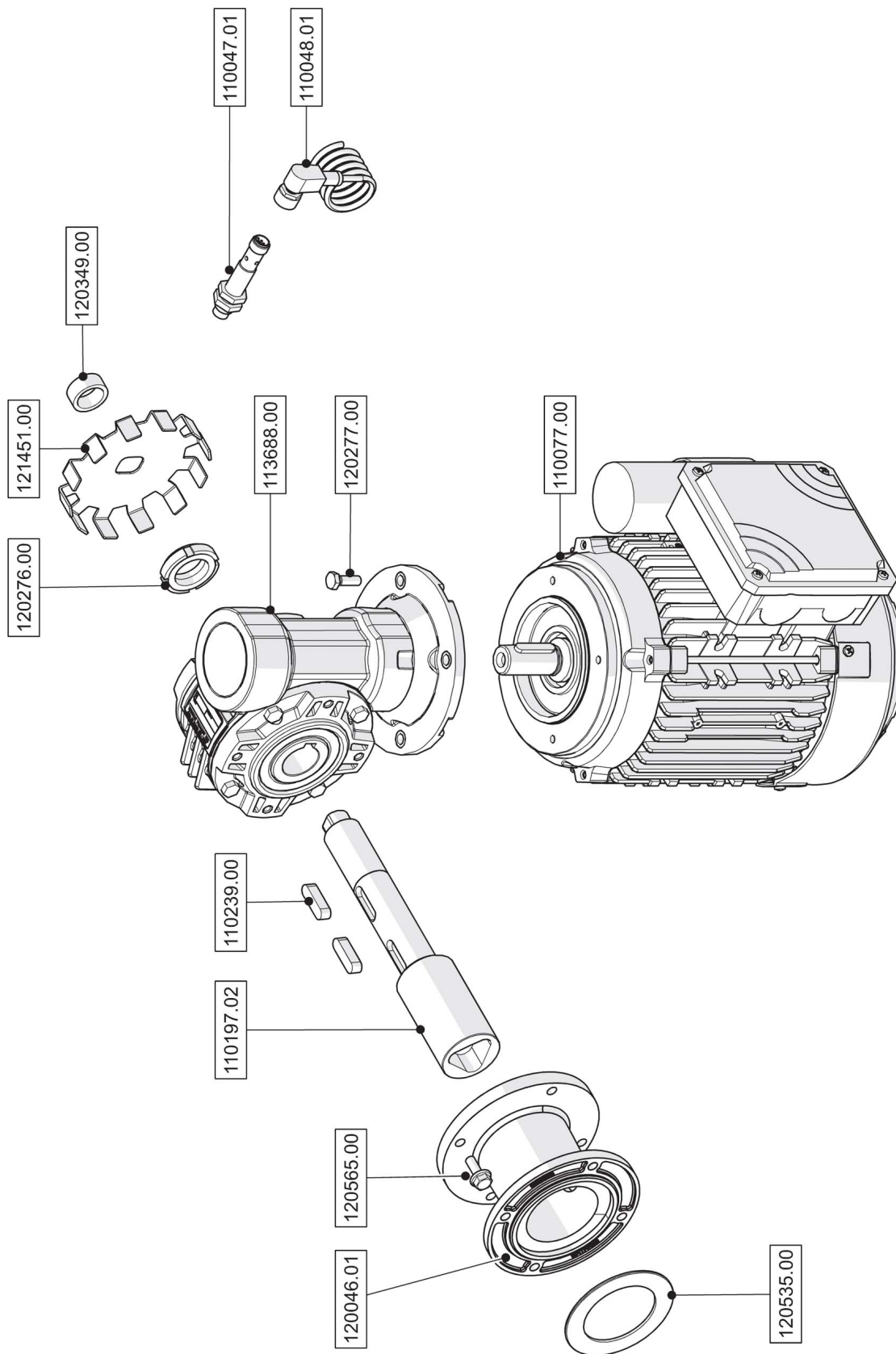
01/2020

Tav. 1505

The system is constantly updated. Thus the data shown can be subject to changes without prior notice.

## Component list

Exploded view	Item	Description	Price	Notes
1505	110042.00	DANFOSS COIL 24Vac 50-60Hz		
1505	110054.00	FILTER DRYER 130cc		
1505	110056.00	DANFOSS MOISTURE INDICATOR 1/4		
1505	110057.01	PRESSURE SWITCH		
1505	110220.00	FAN CONNECTION TERMINAL		
1505	110263.00	MOTOR FAN A4E300		
1505	110288.01	AIR CONDENSER		
1505	110295.01	CONNETTORE PER BOBINA		
1505	111891.00	DANFOSS SOLENOID VALVE		
1505	113034.00	TS2 VALVE MOP50 WITH OREFICE 03		
1505	113151.00	COMPRESSORE TAJ2464Z-TZ 3Ph-400V-50Hz		
1505	113435.00	DANFOSS SOLENOID VALVE		
1505	120393.00	INLET VALVE 1/4		
1505	121377.00	CAPACITOR 2 ÅµF		



TRASMISSIONE MECCANICA  
MECHANICAL TRANSMISSION

B1-B2 (3Ph-380/415V-50Hz)  
B1-B2 (3Ph-380/415V-50Hz)

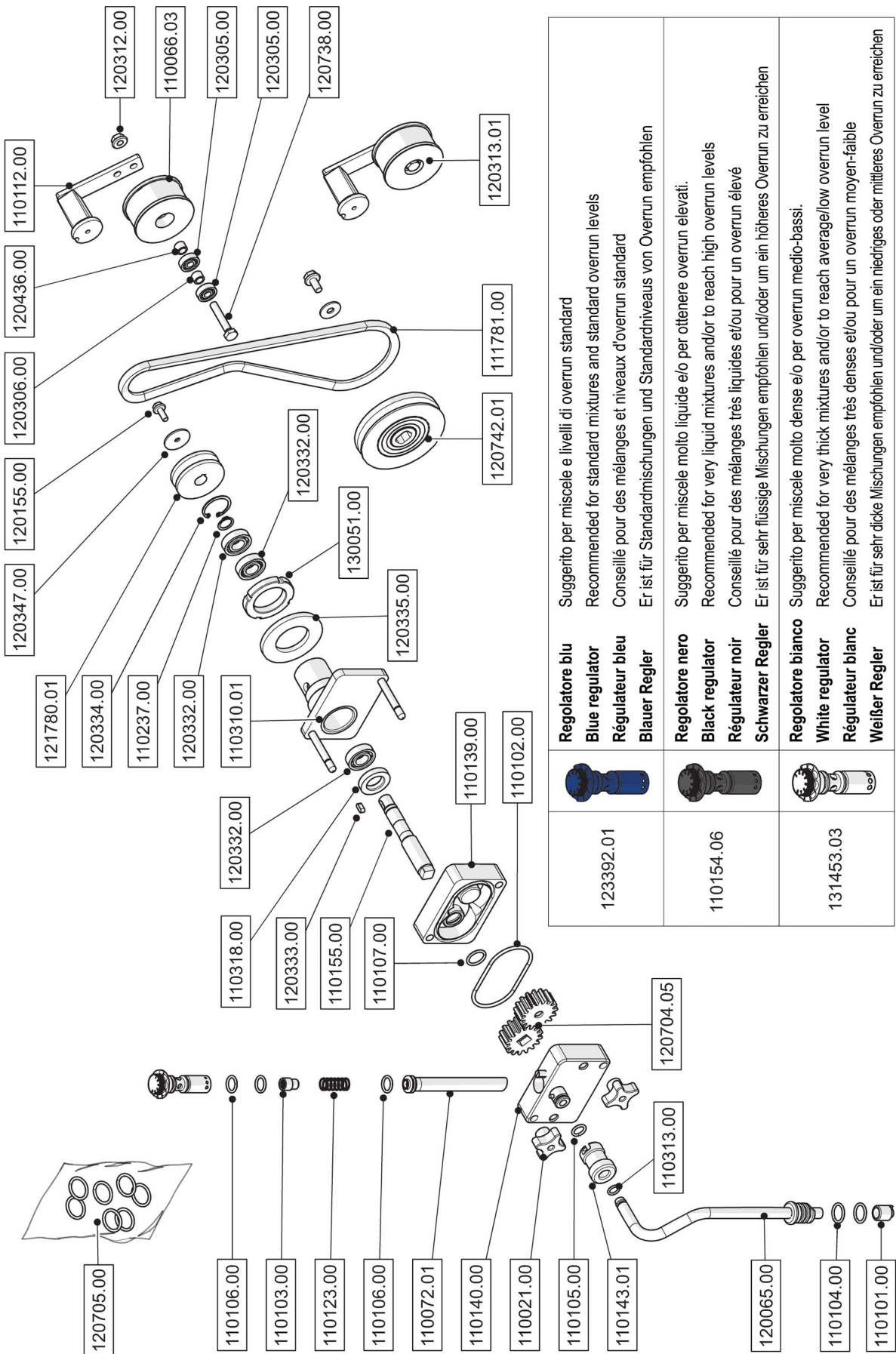
09/2018




Tav. 1421

The system is constantly updated. Thus the data shown can be subject to changes without prior notice.

## Component list

Exploded view	Item	Description	Price	Notes
1421	110047.01	INDUCTIVE SENSOR M12 PNP-NO L=4mm		
1421	110048.02	CONNETTORE M12 4PIN L=2m		replaces 110048.01
1421	110077.00	MOTOR 0,75kW 3Ph 50Hz		
1421	110197.02	BEATER TRANSMISSION SHAFT L=211mm		
1421	110239.00	TONGUE 8x7x28		
1421	113688.00	REDUCTION UNIT GM49 l=14		
1421	120046.02	DISTANZIALE PER RIDUTTORE L= 77,2 GM49		replaces 120046.01
1421	120276.00	SELF-LOCKING RING NUT M25		
1421	120277.00	SCREW DIN 933 M6x18		
1421	120349.00	SPACER RING 24/18,2/10mm		
1421	120535.00	INSULATING RING 74,5/50/2mm		
1421	120565.00	SCREW DIN 6921 M6x18		
1421	121451.00	PHONIC WHEEL		



123392.01		<b>Regolatore blu</b> <b>Blue regulator</b> <b>Régulateur bleu</b> <b>Blauer Regler</b>	Suggerito per miscele e livelli di overrun standard Recommended for standard mixtures and standard overrun levels Conseillé pour des mélanges et niveaux d'overrun standard Er ist für Standardmischungen und Standardniveaus von Overrun empfohlen
110154.06		<b>Regolatore nero</b> <b>Black regulator</b> <b>Régulateur noir</b> <b>Schwarzer Regler</b>	Suggerito per miscele molto liquide e/o per ottenere overrun elevati. Recommended for very liquid mixtures and/or to reach high overrun levels Conseillé pour des mélanges très liquides et/ou pour un overrun élevé Er ist für sehr flüssige Mischungen empfohlen und/oder um ein höheres Overrun zu erreichen
131453.03		<b>Regolatore bianco</b> <b>White regulator</b> <b>Régulateur blanc</b> <b>Weißer Regler</b>	Suggerito per miscele molto dense e/o per overrun medio-bassi. Recommended for very thick mixtures and/or to reach average/low overrun level Conseillé pour des mélanges très denses et/ou pour un overrun moyen-faible Er ist für sehr dicke Mischungen empfohlen und/oder um ein niedrigeres oder mittleres Overrun zu erreichen

POMPA DI PRESSURIZZAZIONE  
PRESSURISING GEAR PUMP

Versione G - B1 HT

B1 HT - G version

07/2017

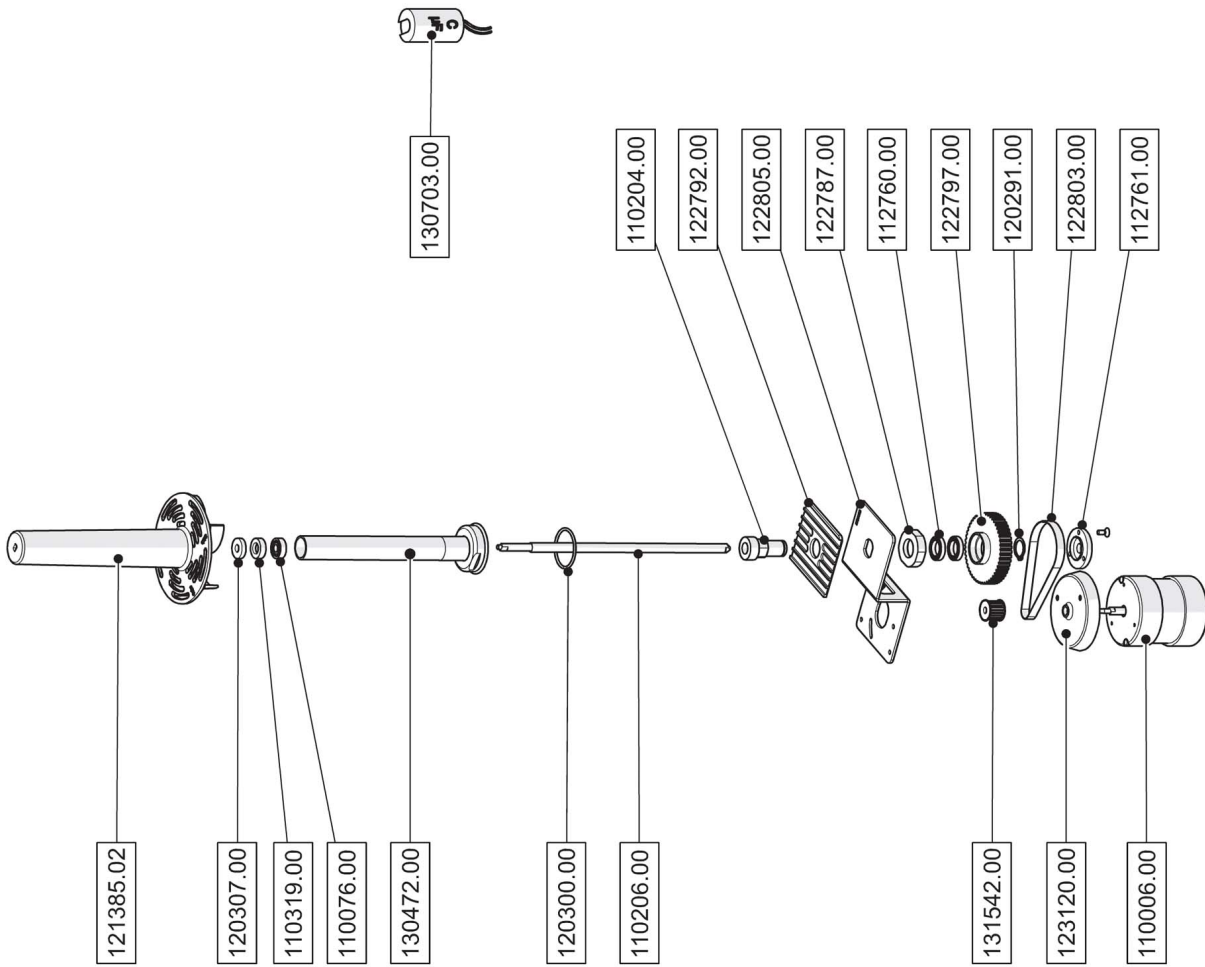
Tav. 1038

GEL MATIC

The system is constantly updated. Thus the data shown can be subject to changes without prior notice.

## Component list

Exploded view	Item	Description	Price	Notes
1038	110021.00	FASTENING KNOB M8		
1038	110066.03	BELT TENSIONER ROLLER		
1038	110072.01	PUMP SUCTION PIPE		
1038	110101.00	NON-RETURN VALVE		
1038	110102.00	O-RING 4287		
1038	110103.00	BY-PASS GASKET		
1038	110104.00	O-RING 3068		
1038	110105.00	O-RING 115		
1038	110106.00	O-RING 3056		
1038	110107.02	O-RING 17,86x2,62		replaces 110107.00
1038	110112.00	COMPLETE BELT TENSIONER		
1038	110123.00	BY-PASS SPRING FOR PUMP		
1038	110139.00	PUMP BODY		
1038	110140.01	COPERCHIO POMPA MOD. G		replaces 110140.00
1038	110143.01	BAYONET JOINT L=39mm		
1038	110154.06	PUMP OVERRUN REGULATOR Vers.G, BLACK		
1038	110155.01	BEATER TRANSMISSION SHAFT L=118mm		replaces 110155.00
1038	110237.00	SEEGER RING 15 E		
1038	110310.01	PUMP HUB L=135mm		
1038	110313.00	O-RING 108		
1038	110318.00	SEAL RING 18x35x7mm		
1038	111781.00	PUMP BELT XPZ 762		
1038	120065.00	PUMP COMPRESSION PIPE		
1038	120565.00	SCREW DIN 6921 M6x18		replaces 120155.00
1038	120305.00	BEARING 608 ZZ		
1038	120306.01	BELT TENSIONER ROLLER BUSHING 12/9,1mm		replaces 120306.00
1038	120312.00	NUT M8		
1038	120313.01	COMPLETE BELT TENSIONER		
1038	120332.00	BEARING 6002 2RS		
1038	120333.00	TONGUE 5x5x12		
1038	120334.00	SEEGER RING 32 I		
1038	120335.00	WASHER 72/40/6mm		
1038	120347.00	WASHER D6x30		
1038	120436.01	BELT TENSIONER ROLLER BUSHING 12/15,1mm		replaces 120436.00
1038	120704.05	COUPLE OF PUMP GEARS - PLASTIC		
1038	120705.00	GASKETS KIT FOR SINGLE PUMP Vers. G		
1038	120738.00	SCREW DIN 933 M8x50		
1038	120742.01	PUMP PULLEY HT-B		
1038	121780.01	PUMP PULLEY D=39mm		
1038	123392.02	REGOLATORE POMPA VERSIONE G 70xD=31mm		replaces 123392.01
1038	130051.00	RING NUT M40		
1038	131453.03	PUMP OVERRUN REGULATOR Vers.G, WHITE		



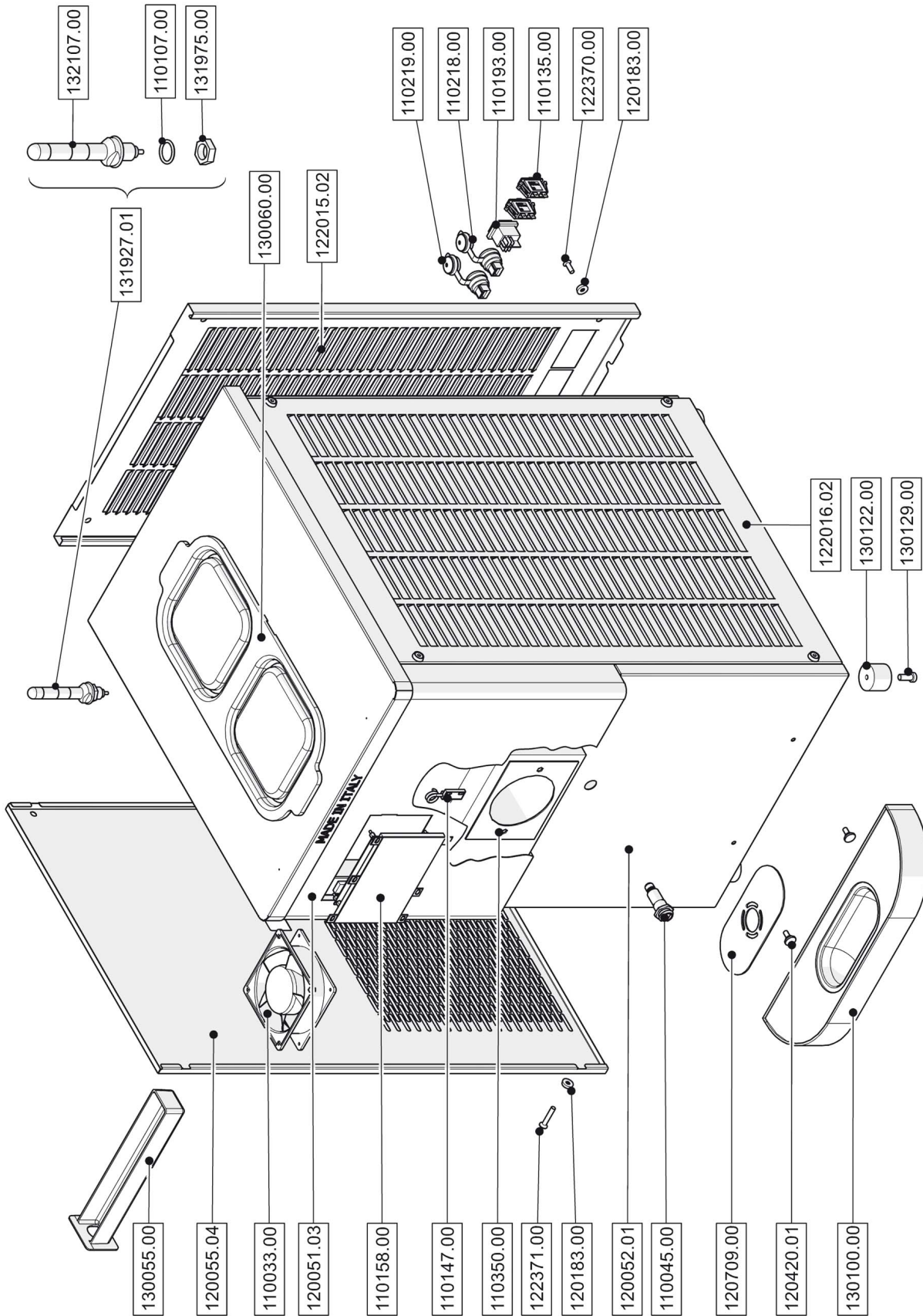
	<b>Tav. 1128</b>	07/2017	<b>MIXER VASCA HOPPER MIXER</b>	Versione B - Serie B, HT 50Hz
				B series, HT 50Hz - B version

The system is constantly updated. Thus the data shown can be subject to changes without prior notice.



## Component list

Exploded view	Item	Description	Price	Notes
1128	110006.00	MIXER MOTOR CA73 230Vca 50Hz		
1128	110076.00	BEARING 608-2RS		
1128	110204.01	MIXER FIXING THREAD		replaces 110204.00
1128	110206.01	ALBERO CANOTTO AGITATORE VASCHE L=230mm		replaces 110206.00
1128	110319.00	SEAL RING 8x22x7mm		
1128	112760.00	BEARING 61903-2RS		
1128	112761.00	MIXER DRIVING DISC		
1128	120291.00	SEEGER RING 17 E		
1128	120300.01	O-RING 3156		replaces 120300.00
1128	120307.01	MIXER CAP D=22mm		replaces 120307.00
1128	121385.02	MIXER IMPELLER - B HT		
1128	122787.00	RING NUT 40/10,5/M20		
1128	122792.00	INSULATING PLATE		
1128	122797.00	MIXER PULLEY 40XL038		
1128	122803.00	MIXER BELT 130XL037		
1128	122805.01	FIXING PLATE		replaces 122805.00
1128	121384.02	MIXER MOTOR GASKET		replaces 123120.00
1128	130472.00	MIXER HUB L=168mm		
1128	130703.00	CAPACITOR 1,5ÅµF		
1128	131542.00	MIXER PULLEY 15xL037		



BC 151 HT aria (accessori neri)  
 BC 151 HT air (black accessories)

ALLESTIMENTO  
 EQUIPMENT

09/2016

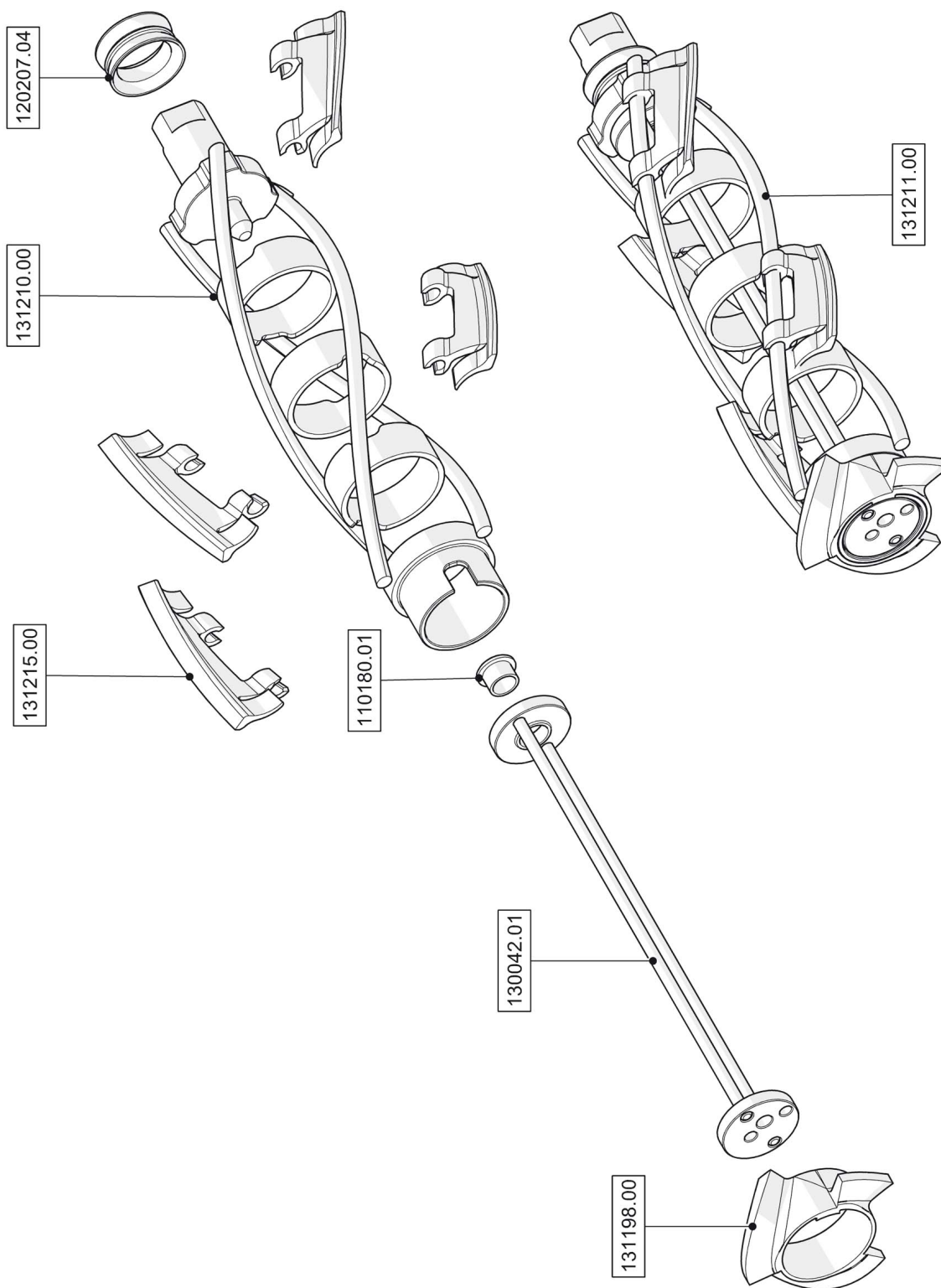
Tav. 950



The system is constantly updated. Thus the data shown can be subject to changes without prior notice.

## Component list

Exploded view	Item	Description	Price	Notes
950	110033.01	FAN D=120mm 230Vac 50-60Hz		replaces 110033.00
950	110045.00	PHOTOELECTRIC CELL 10-30Vdc NPN L=130 mm		
950	110107.02	O-RING 17,86x2,62		replaces 110107.00
950	110135.00	PANEL FUSE-HOLDER		
950	110147.00	MAGNETIC SENSOR 24-230 Vac		
950	110158.00	CPU BOARD WITH TOUCH SCREEN 7		
950	110193.00	SWITCH 250Vac 16A		
950	110218.00	USB PANEL CONNECTOR		
950	110219.00	PANEL CONNECTOR RJ45		
950	110350.00	ANTI-CONDENSATION GASKET 150x115mm		
950	120051.03	UPPER FRONT PANEL BC150		
950	120052.01	LOWER FRONT PANEL BC1		
950	120055.04	LEFT-HAND SIDE PANEL BC1		
950	120183.00	HUBCAP		
950	120420.01	ROD		
950	120709.00	DRIP-TRAY GRILL 179x80mm		
950	122015.03	PANNELLO RETRO BC1		replaces 122015.02
950	122016.02	RIGHT-HAND SIDE PANEL BC1		
950	122370.00	SCREW DIN 965 M6x12 ST.STEEL		
950	122371.00	SCREW DIN 965 M6x30 ST.STEEL		
950	130055.00	CONDENSATE TRAY L=260mm		
950	130060.01	COPERCHIO VASCA 467x196mm		replaces 130060.00
950	130100.00	DRIP-TRAY 414,2x115x45mm		
950	130122.00	RUBBER FOOT		
950	130129.00	SCREW DIN 912 M8x20		
950	131927.01	CONDUCTION LEVEL SENSOR C2		
950	131975.00	NUT D=22 3/8 GAS		
950	132107.00	C2 LEVEL SENSOR BODY		

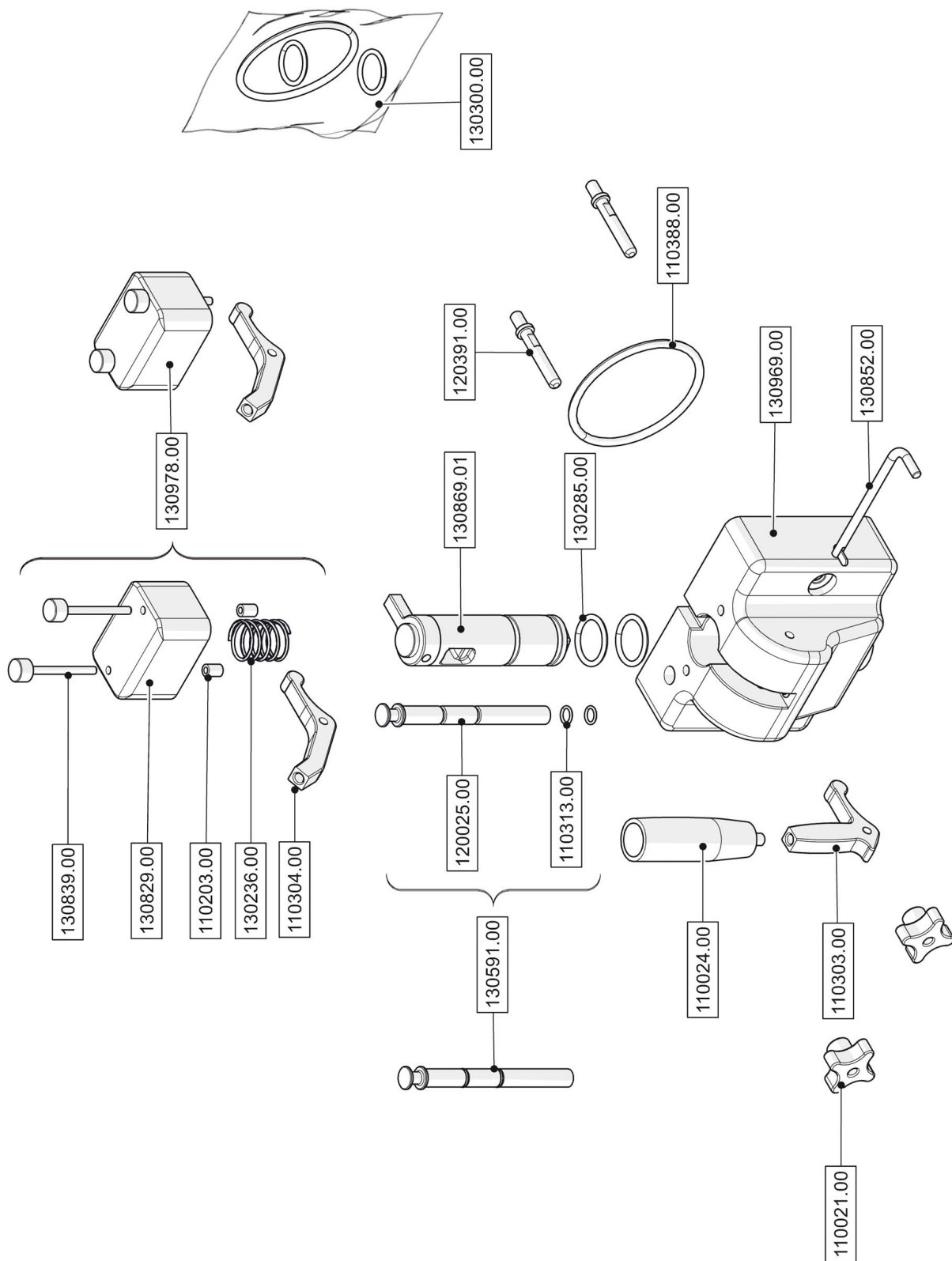


	<b>Tav. 706</b>	11/2015	<b>AGITATORE BEATER</b>	SF1 - Serie B SF1 - B series
--	-----------------	---------	-----------------------------	---------------------------------

The system is constantly updated. Thus the data shown can be subject to changes without prior notice.

## Component list

Exploded view	Item	Description	Price	Notes
706	110180.02	BOCCOLA PER AGITATORE D=20 L=11,5mm		replaces 110180.01
706	120207.06	BEATER SEALING RING		replaces 120207.04
706	130042.03	BEATER IDLER LS1-B		replaces 130042.01
706	131198.04	COCLEA AGITATORE SF1 SERIE S-B		replaces 131198.00
706	131210.02	CORPO AGITATORE SF2-B		replaces 131210.00
706	131211.03	AGITATORE SF2-B		replaces 131211.00
706	131215.03	BEATER BLADE SF1-B		replaces 131215.00

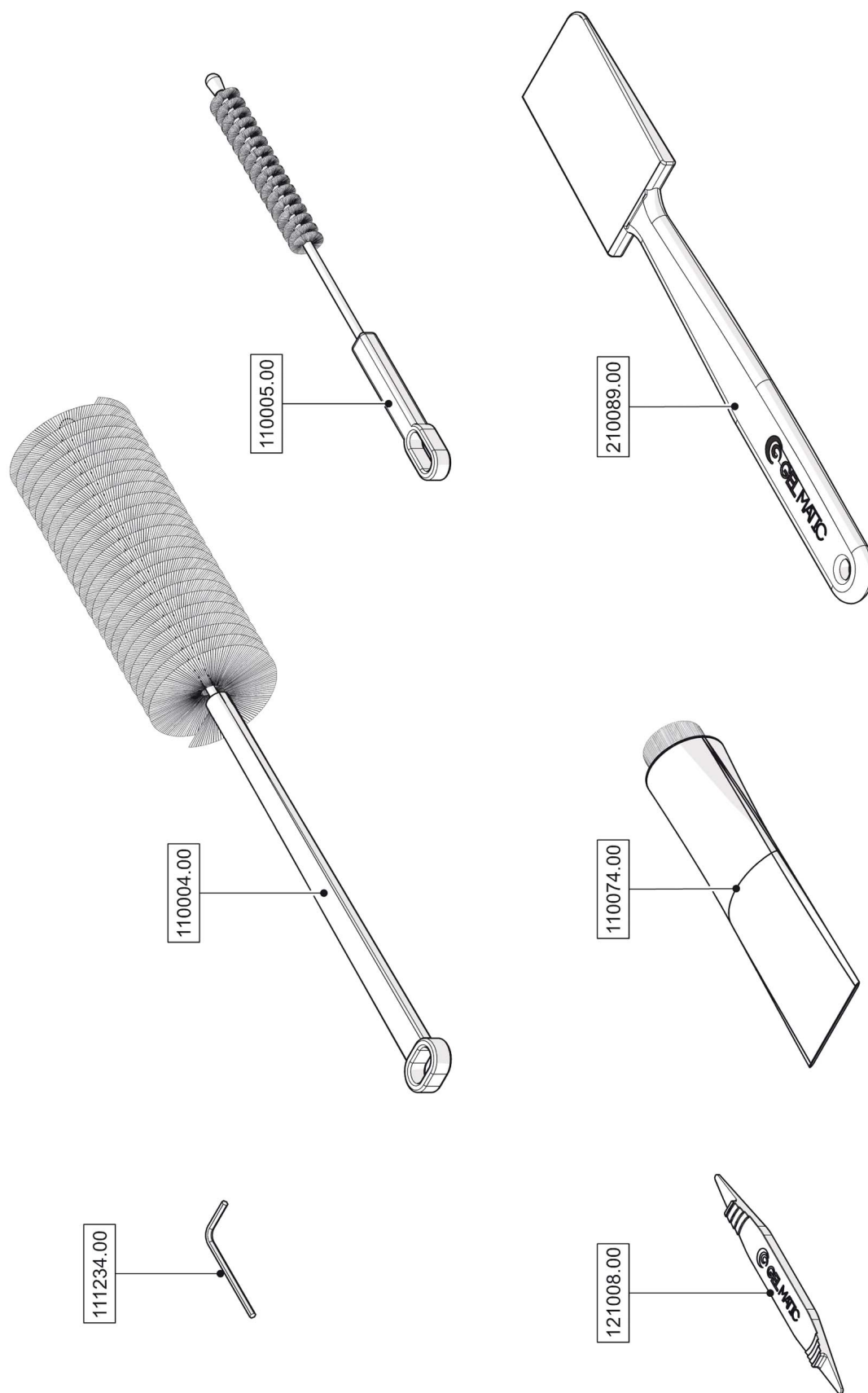


	<b>Tav. 640</b>	04/2015	<b>GRUPPO EROGAZIONE DISPENSING DOOR</b>	B1 PM, SC1 EASY GR, design standard, colore nero, leva standard, 1 pistone B1 PM, SC1 EASY GR, standard design, black colour, standard dispensing lever, a piston
--	-----------------	---------	--	--

The system is constantly updated. Thus the data shown can be subject to changes without prior notice.

## Component list

Exploded view	Item	Description	Price	Notes
640	110021.00	FASTENING KNOB M8		
640	110024.00	BLACK HANDLE		
640	110203.00	THREADED BUSHING M8 H=11mm		
640	110303.00	DISPENSING LEVER		
640	110304.00	DISPENSING LEVER		
640	110313.00	O-RING 108		
640	110388.00	O-RING 6337		
640	120025.00	AIR VENT VALVE L=130,5mm		
640	120391.00	DISPENSING UNIT TIE ROD		
640	114132.00	MOLLA DI COMPRESSIONE 2,2x21,8x59,1		replaces 130236.00
640	130285.00	O-RING		
640	130300.00	DISPENSING UNIT GASKETS KIT 1/2L B		
640	130591.00	AIR VENT VALVE L=130mm		
640	130829.00	SELF CLOSING SET COVER - PC BLACK B1		
640	130839.00	ROD		
640	130852.01	PERNO PER LEVA L=104mm		replaces 130852.00
640	130869.02	PISTONE MAGN. LATERALE NERO L=131,6mm		replaces 130869.01
640	130969.02	DISPENSING UNIT BODY B1 PM ST N 1L		replaces 130969.00
640	130978.00	SELF CLOSING COVER - BLACK B-M-H 1L		



<b>GEL MATIC</b>	<b>Tav. 978</b>	09/2016	<b>ACCESSORI ACCESSORIES</b>	Strumenti per manutenzione ordinaria Ordinary maintenance equipment
------------------	-----------------	---------	----------------------------------	--

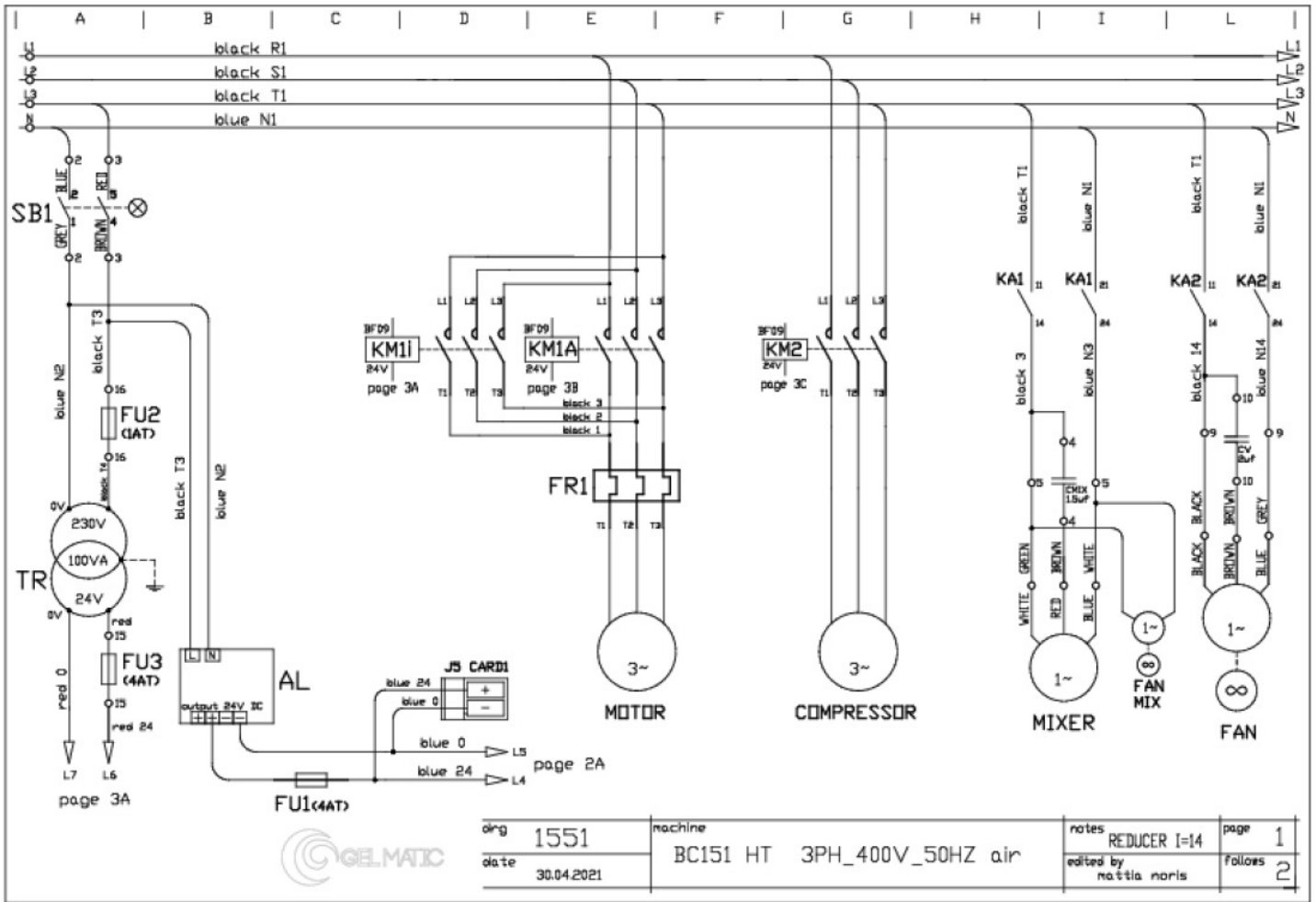
The system is constantly updated. Thus the data shown can be subject to changes without prior notice.

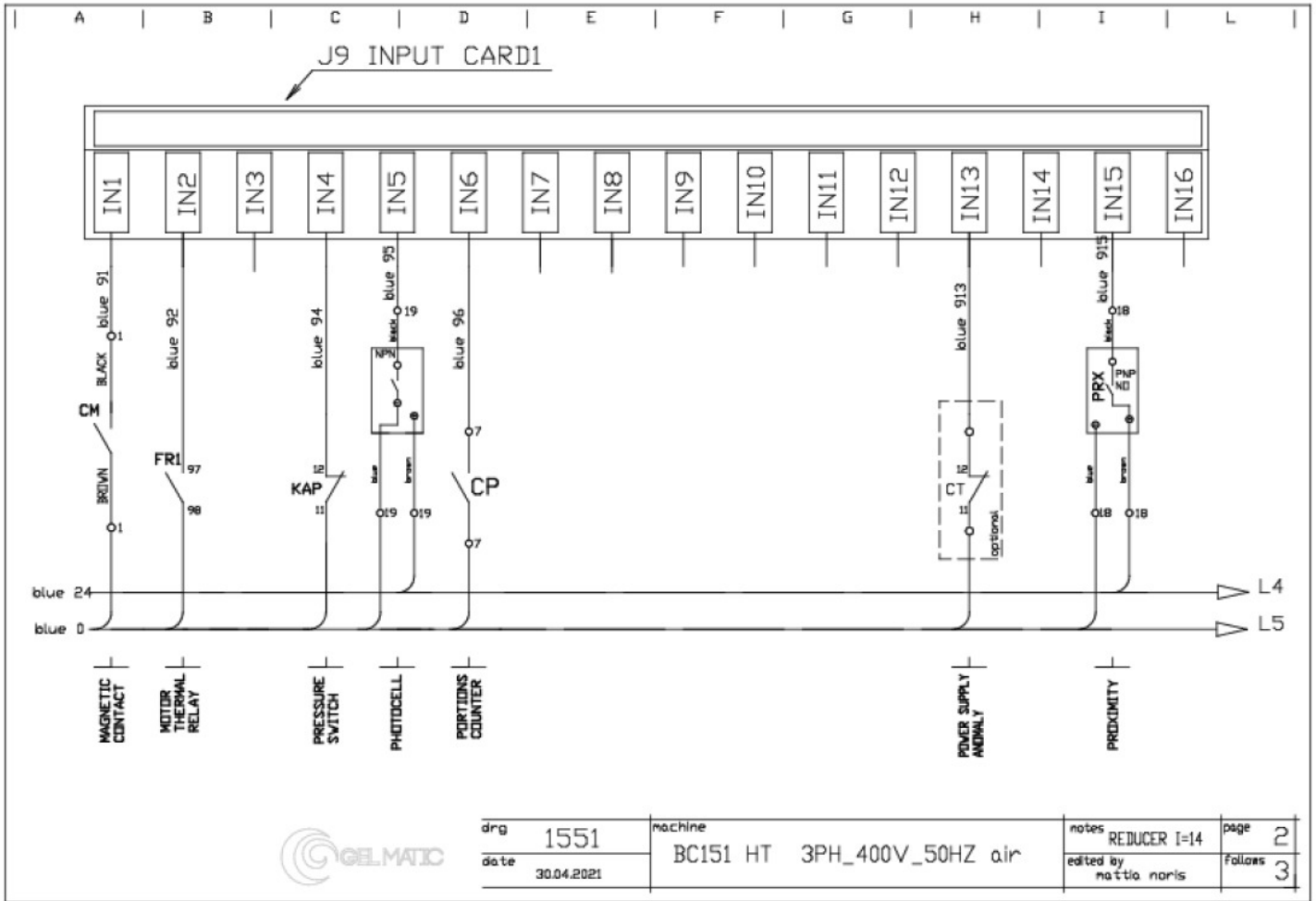


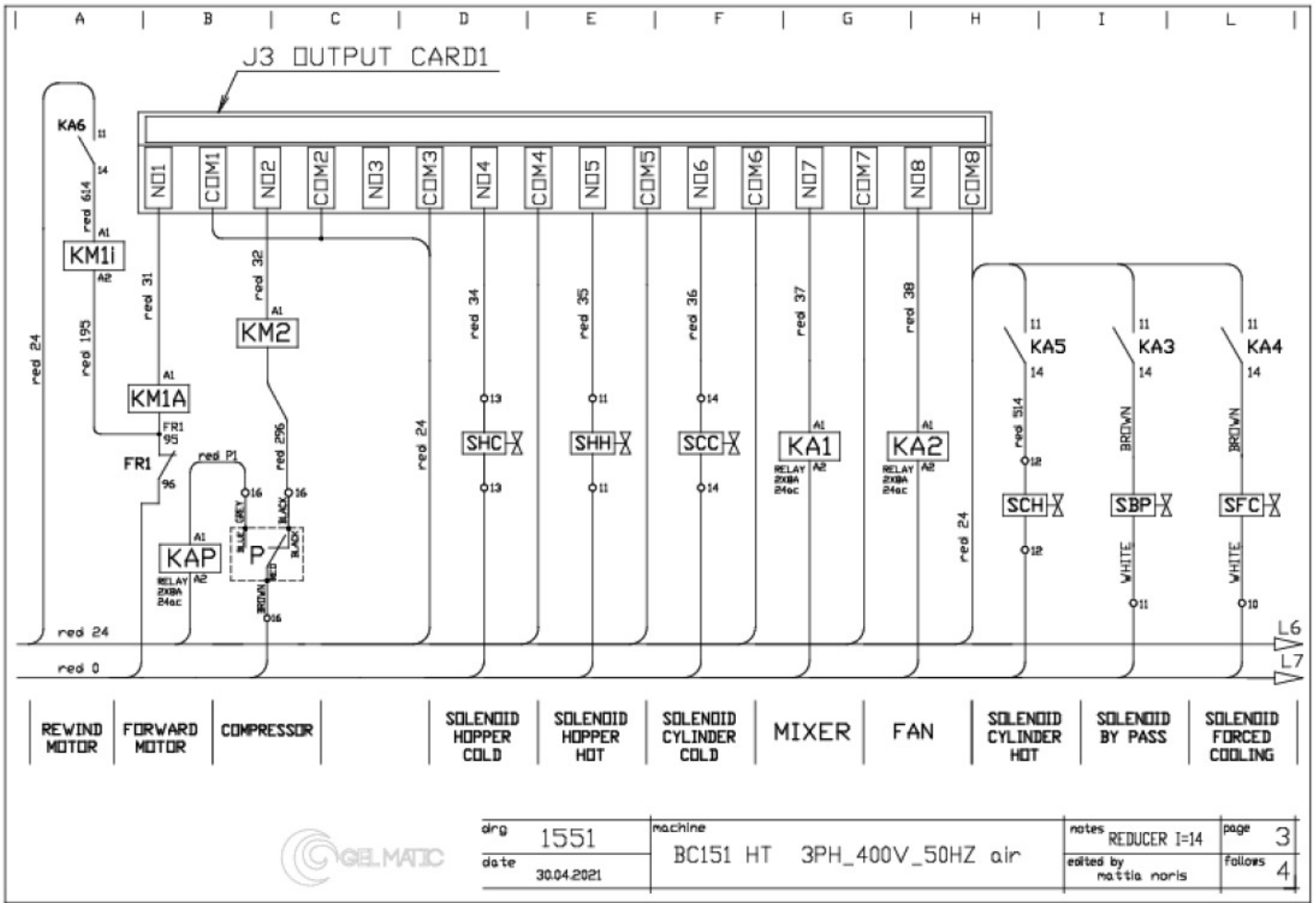
---

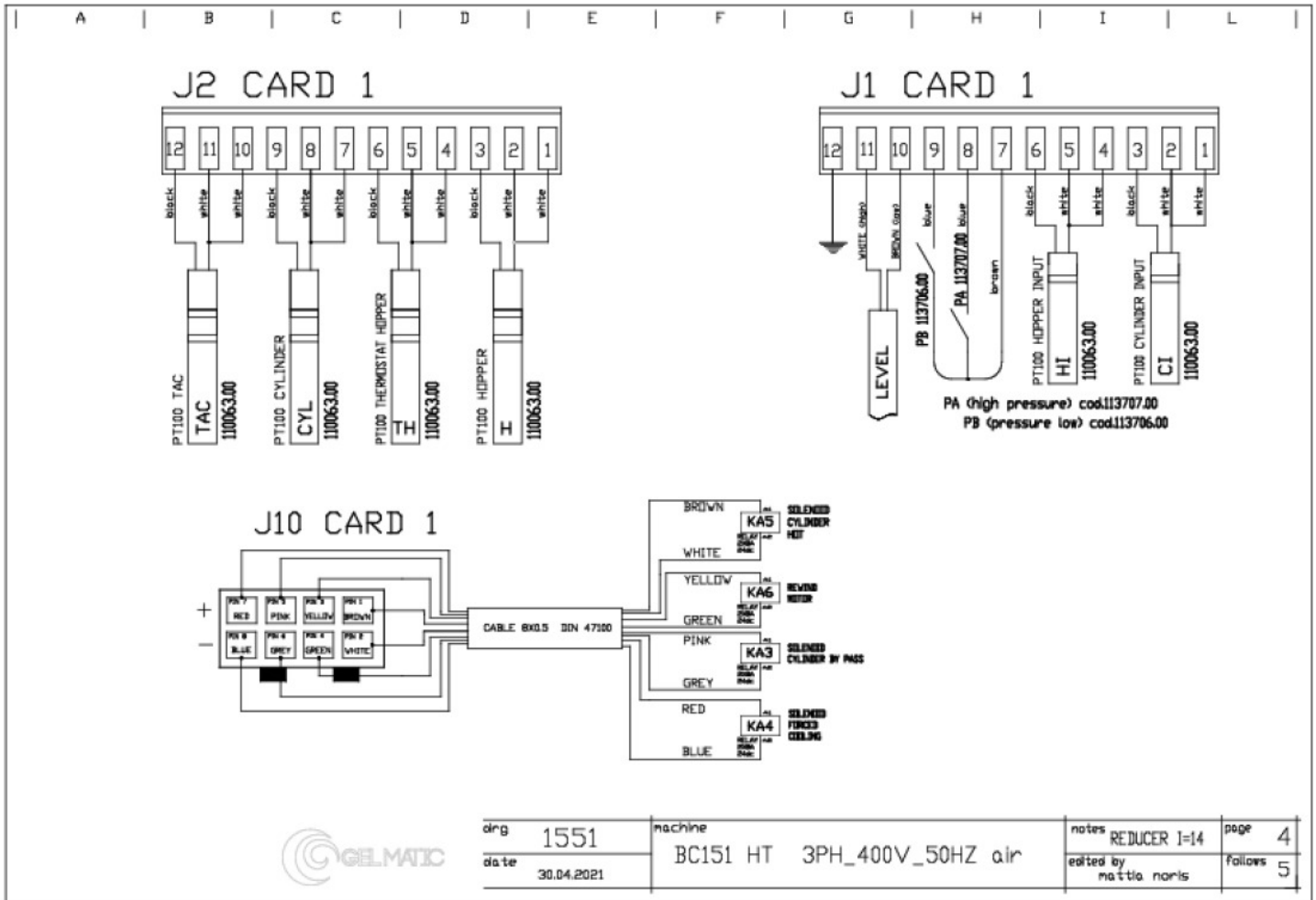
### Component list

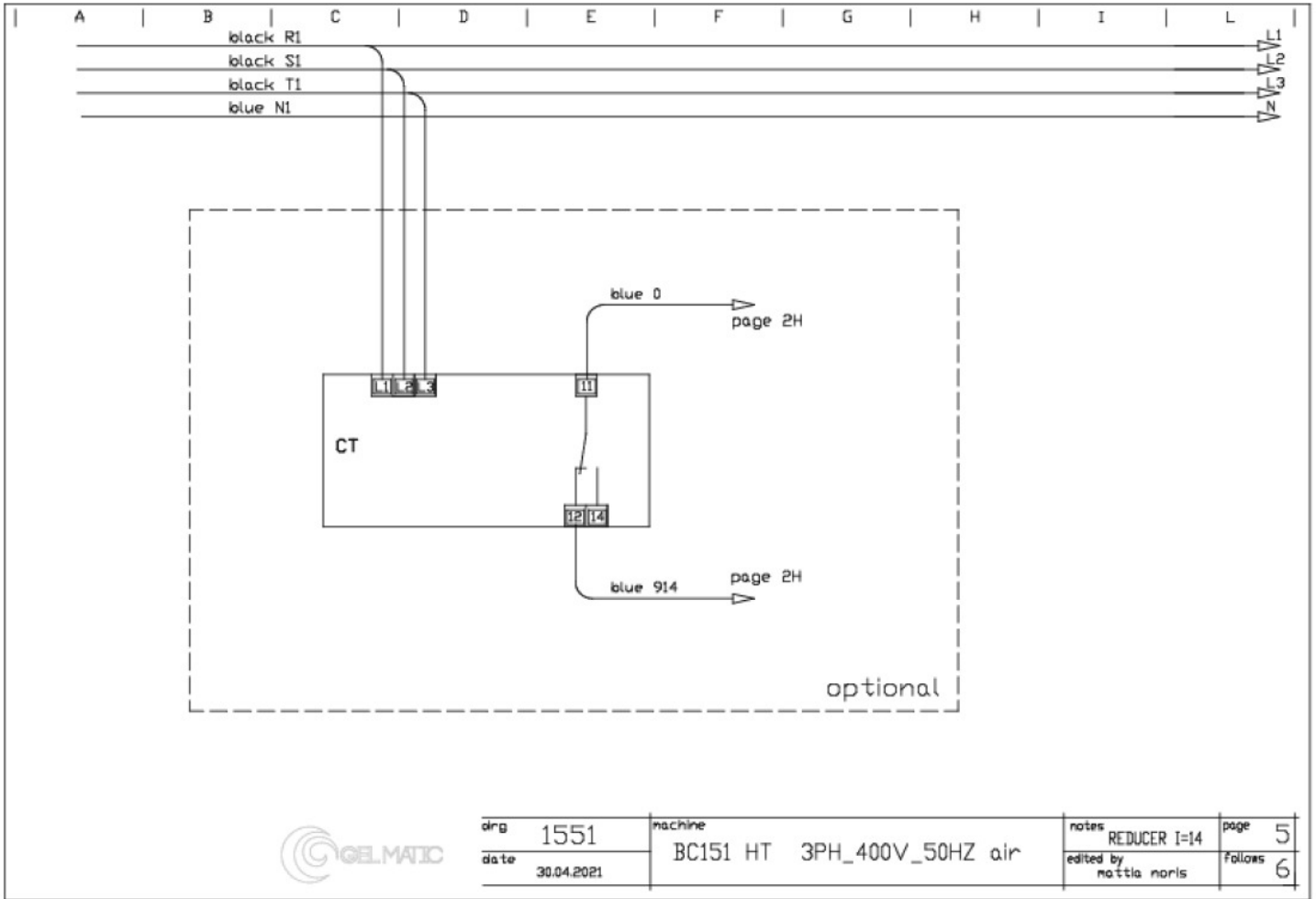
Exploded view	Item	Description	Price	Notes
978	110004.01	CLEANING BRUSH L=160mm		replaces 110004.00
978	110005.00	CLEANING BRUSH L=100mm		
978	110074.00	LUBRICANT TUBE		
978	111234.00	ALLEN KEY 2,5mm		
978	121008.00	O-RING REMOVER		
978	210089.00	WHITE SPATULA WITH LOGO		

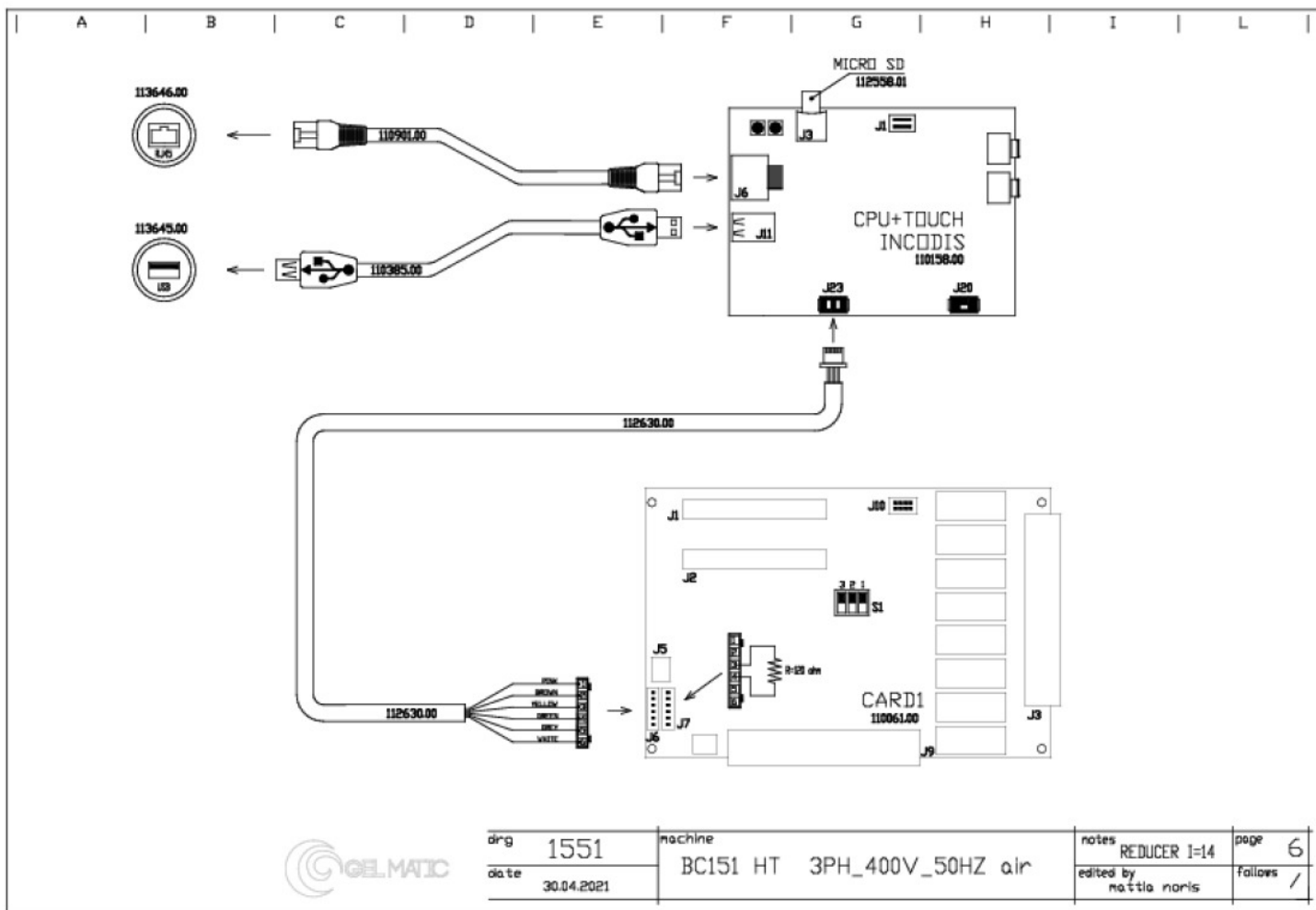












## Component list

List - L1363	Item	Description	Price	Notes
L1363	110001.00	MAGNETIC SENSOR 24-150 Vac		
L1363	110033.01	FAN D=120mm 230Vac 50-60Hz		
L1363	110042.00	DANFOSS COIL 24Vac 50-60Hz		
L1363	110045.00	PHOTOELECTRIC CELL 10-30Vdc NPN L=130 mm		
L1363	110047.01	INDUCTIVE SENSOR M12 PNP-NO L=4mm		
L1363	110048.02	CONNETTORE M12 4PIN L=2m		replaces 110048.01
L1363	110061.00	INCODIS I/O BOARD		
L1363	110063.00	PT100 TEMPERATURE PROBE		
L1363	110131.00	THERMAL RELAY 1,6:2,5A RF38		
L1363	110135.00	PANEL FUSE-HOLDER		
L1363	110136.00	TRIPOLAR CONTACTOR 9A 24Vac 50/60Hz		
L1363	110144.00	2-CONTACT RELAY 24Vac 8A WITH BASE		
L1363	110145.00	2-CONTACT RELAY 24Vdc 8A WITH BASE		
L1363	110147.00	MAGNETIC SENSOR 24-230 Vac		
L1363	110158.00	CPU BOARD WITH TOUCH SCREEN 7		
L1363	110193.00	SWITCH 250Vac 16A		
L1363	110220.00	FAN CONNECTION TERMINAL		
L1363	110295.01	CONNETTORE PER BOBINA		
L1363	110338.00	FUSE 1A T 5x20		
L1363	110339.00	FUSE 4A T 5x20		
L1363	110385.00	DATA CABLE USB		
L1363	110636.01	POWER CORD		
L1363	110874.00	2-CONTACT RELAY 24Vac 8A		
L1363	110901.00	ETHERNET DATA CABLE		
L1363	111481.00	2-CONTACT RELAY 24Vdc 8A		
L1363	111628.00	TRANSFORMER 1Ph 100VA 220-230V 0-24V		
L1363	112558.01	MICRO SD CARD		
L1363	112630.00	DATA CABLE Ref. No. 9015		
L1363	113645.00	USB PANEL CONNECTOR		
L1363	113646.00	PANEL CONNECTOR RJ45		
L1363	113706.00	PRESSURE TRANSMITTERS		
L1363	113707.00	PRESSURE TRANSMITTERS		
L1363	114111.00	ALIMENTATORE 24Vdc 1,5A/36W		
L1363	121377.00	CAPACITOR 2 ÅµF		
L1363	130703.00	CAPACITOR 1,5ÅµF		