
Exploded views booklet

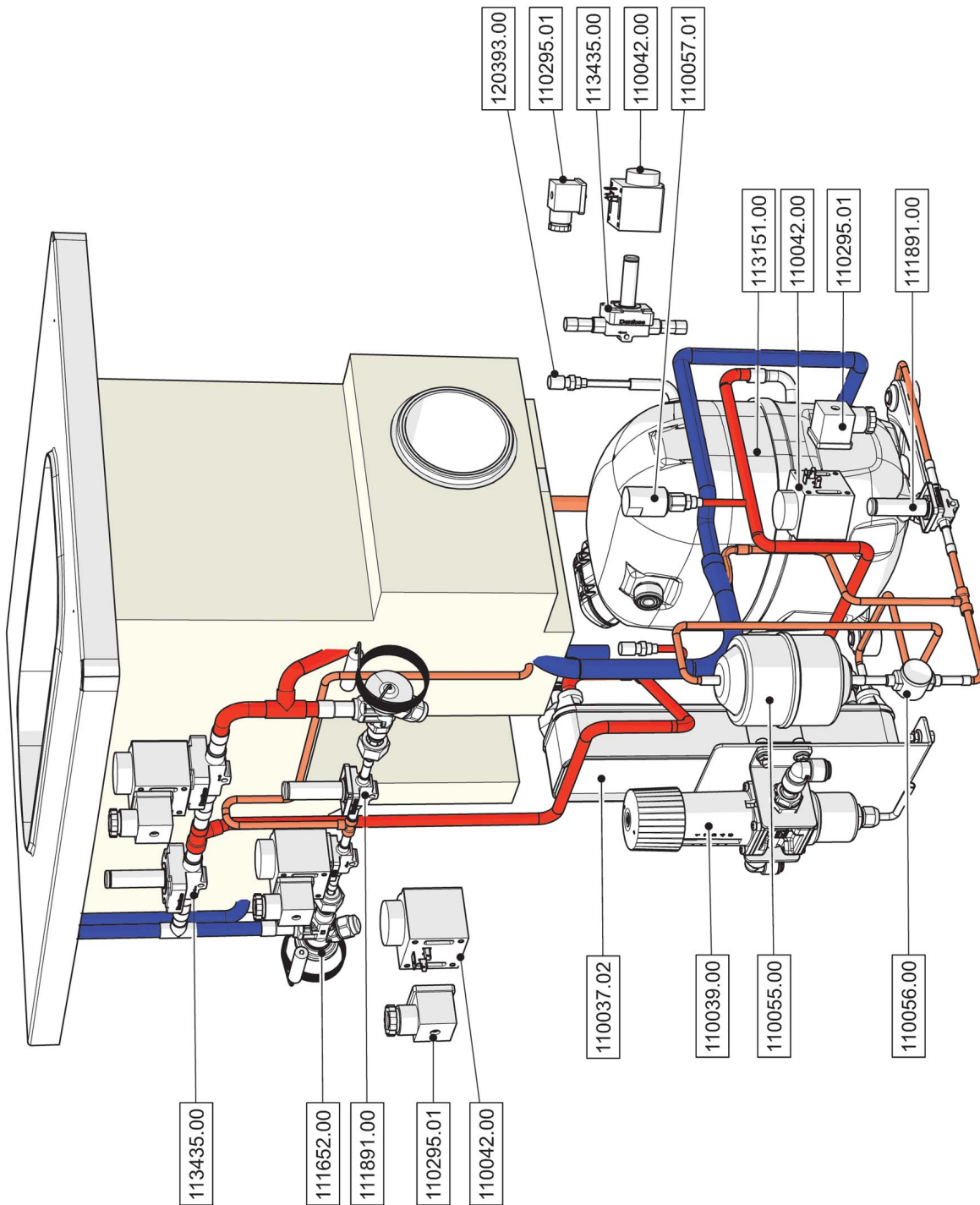
Serial Number: 6XULH

Model: BC 151 HTP - 3Ph-380/415V-50Hz - Water

Year of manufacture: 03-2020

Index

Exploded view 1507	2
Exploded view 637	4
Exploded view 016	6
Exploded view 1311	8
Exploded view 1128	10
Exploded view 1312	12
Exploded view 706	14
Exploded view 640	16
Exploded view 978	18
Wiring diagram	20
Component list L1092	26



CIRCUITO FRIGORIFERO
REFRIGERATING SYSTEM

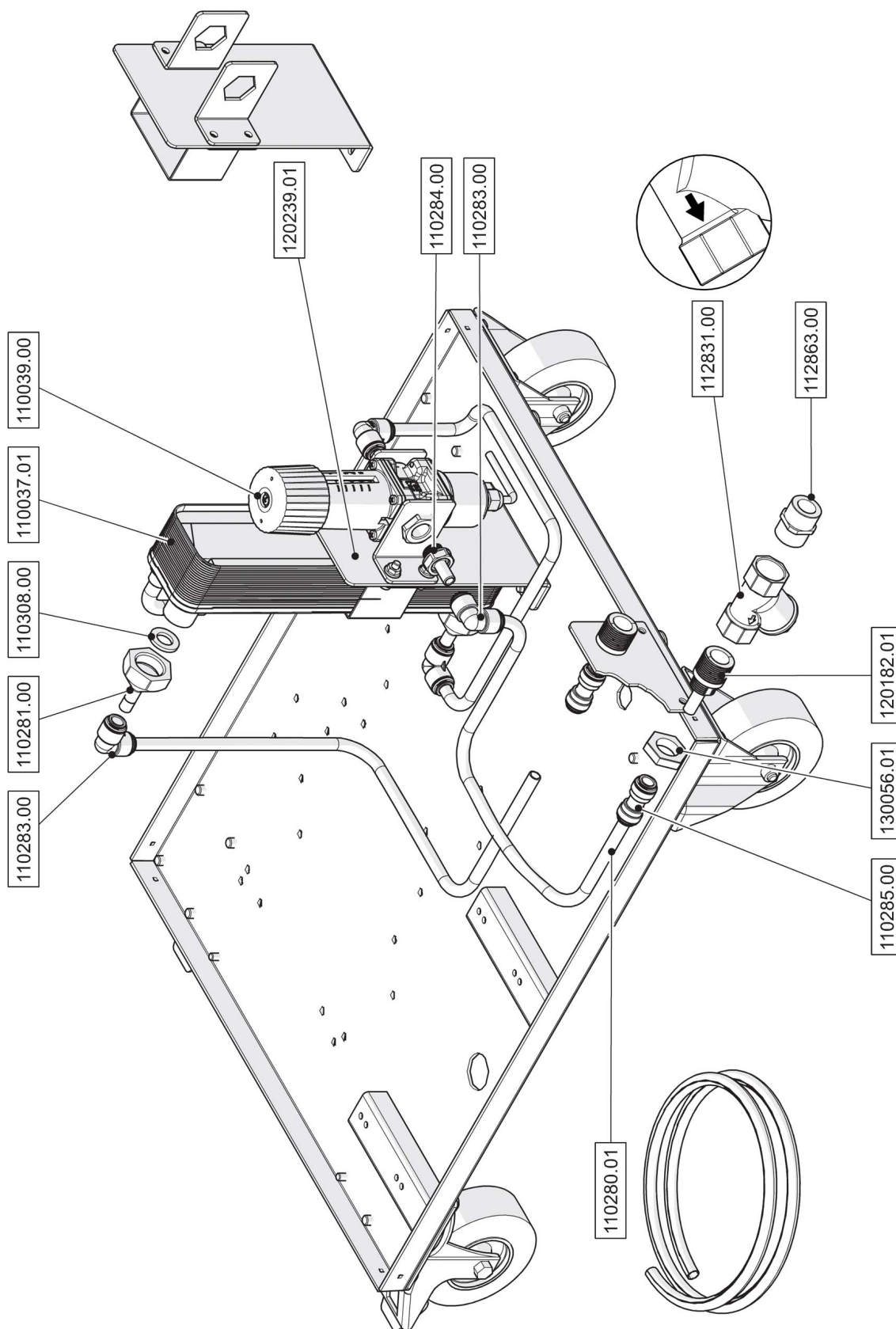
01/2020

Tav. 1507

The system is constantly updated. Thus the data shown can be subject to changes without prior notice.

Component list

Exploded view	Item	Description	Price	Notes
1507	110037.02	HEAT EXCHANGER		
1507	110039.00	PRESSURE CONTROLLED WATER VALVE		
1507	110042.00	DANFOSS COIL 24Vac 50-60Hz		
1507	110055.00	FILTER DRYER 250cc		
1507	110056.00	DANFOSS MOISTURE INDICATOR 1/4		
1507	110057.01	PRESSURE SWITCH		
1507	110295.01	CONNETTORE PER BOBINA		
1507	111652.00	TS2 VALVE WITH OREFICE 03		
1507	111891.00	DANFOSS SOLENOID VALVE		
1507	113151.00	COMPRESSORE TAJ2464Z-TZ 3Ph-400V-50Hz		
1507	113435.00	DANFOSS SOLENOID VALVE		
1507	120393.00	INLET VALVE 1/4		



Componenti circuito idrico
Water circuit components

CIRCUITO IDRICO
WATER CIRCUIT

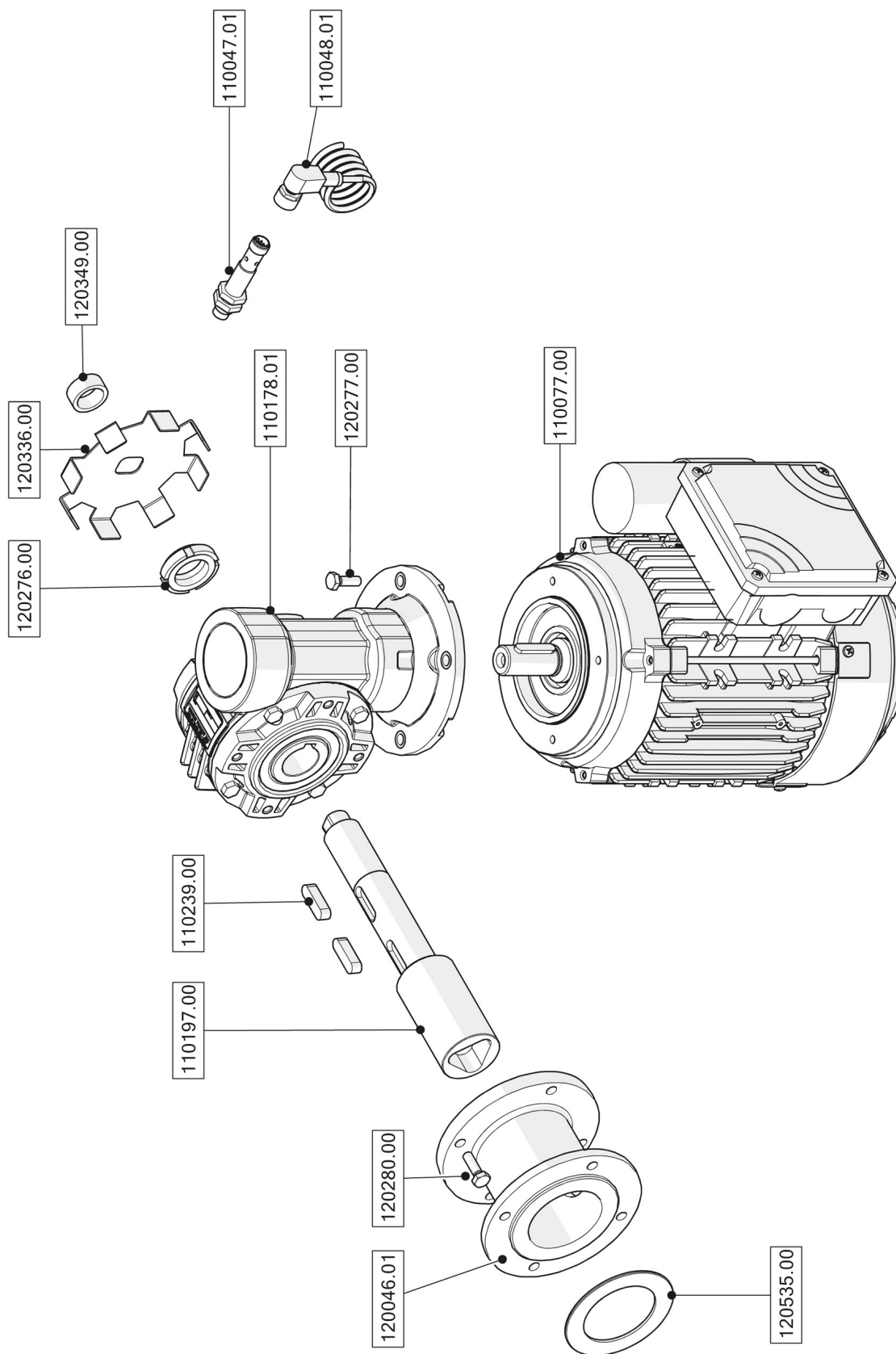
06/2015

Tav. 637

The system is constantly updated. Thus the data shown can be subject to changes without prior notice.

Component list

Exploded view	Item	Description	Price	Notes
637	110037.02	HEAT EXCHANGER		replaces 110037.01
637	110039.00	PRESSURE CONTROLLED WATER VALVE		
637	110280.01	TUBE LLDPE De=10 Di=7 mm		
637	110281.00	WATER CONNECTOR 3/4G L=50mm		
637	110283.00	UNION ELBOW FOR TUBE D=10		
637	110284.00	TANG CONNECTOR 3/8G D=10mm		
637	110285.00	CONNECTION FOR TUBE D=10		
637	110308.00	GASKET 24,9/14,1/3mm		
637	112831.00	WATER FILTER		
637	112863.00	CONICAL NIPPLE 3/4-3/4		
637	120182.02	WATER INLET/OUTLET CONNECTIONS CONNECTOR		replaces 120182.01
637	120239.02	WATER CONDENSER FIXING KIT		replaces 120239.01
637	130056.01	NUT 1/2GAS		



B1-B2 (3Ph-380/415V-50Hz)
B1-B2 (3Ph-380/415V-50Hz)

TRASMISSIONE MECCANICA
MECHANICAL TRANSMISSION

05/2014

Tav. 016



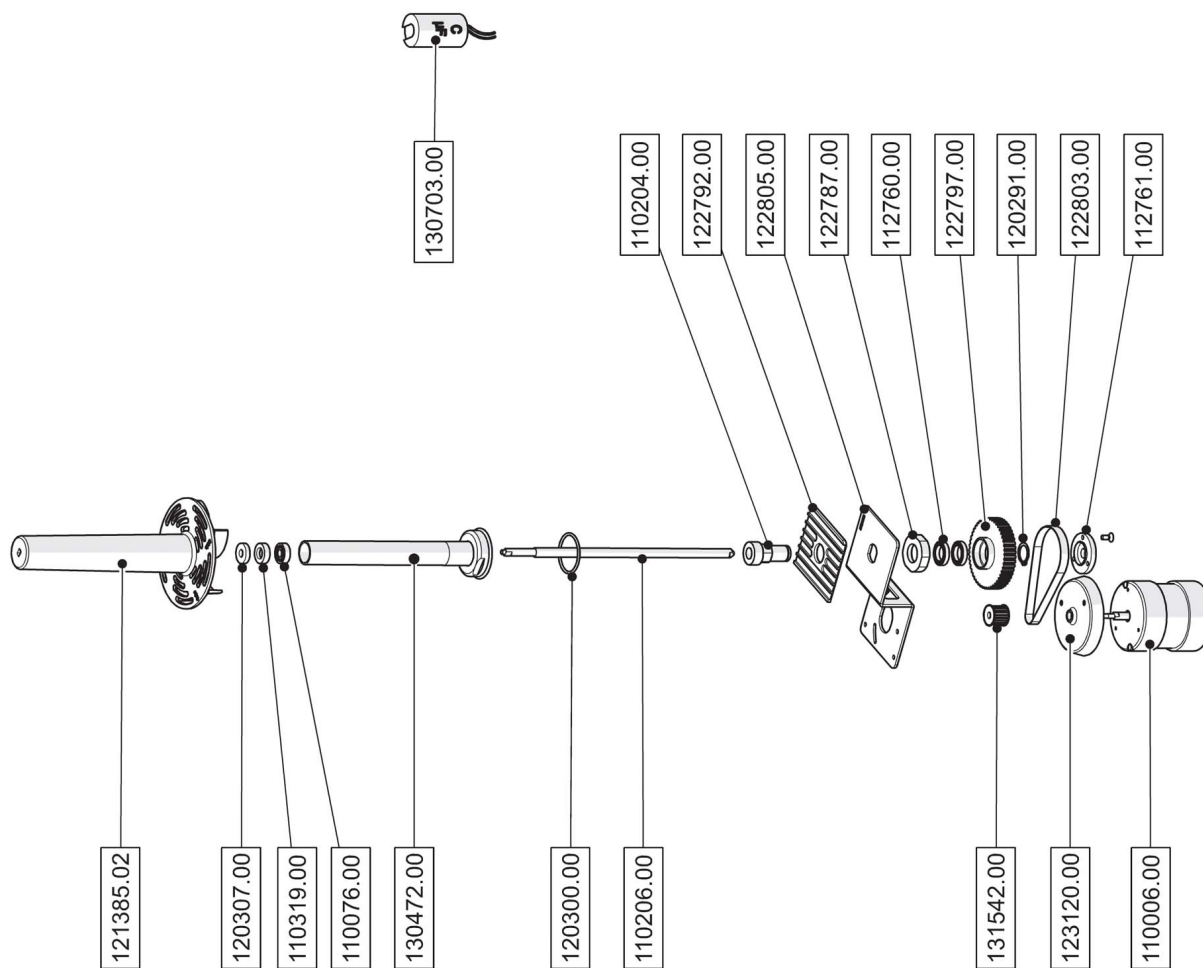
The system is constantly updated. Thus the data shown can be subject to changes without prior notice.

Component list

Exploded view	Item	Description	Price	Notes
016	110047.01	INDUCTIVE SENSOR M12 PNP-NO L=4mm		
016	110048.02	CONNETTORE M12 4PIN L=2m		replaces 110048.01
016	110077.00	MOTOR 0,75kW 3Ph 50Hz		
016	110178.02	REDUCTION UNIT GM49 I=10		replaces 110178.01
016	110197.02	BEATER TRANSMISSION SHAFT L=211mm		replaces 110197.00
016	110239.00	TONGUE 8x7x28		
016	120046.02	DISTANZIALE PER RIDUTTORE L= 77,2 GM49		replaces 120046.01
016	120276.00	SELF-LOCKING RING NUT M25		
016	120277.00	SCREW DIN 933 M6x18		
016	120565.00	SCREW DIN 6921 M6x18		replaces 120280.00
016	120336.00	PHONIC WHEEL		
016	120349.00	SPACER RING 24/18,2/10mm		
016	120535.00	INSULATING RING 74,5/50/2mm		

Component list

Exploded view	Item	Description	Price	Notes
1311	110021.00	FASTENING KNOB M8		
1311	110066.03	BELT TENSIONER ROLLER		
1311	110072.01	PUMP SUCTION PIPE		
1311	110101.00	NON-RETURN VALVE		
1311	110102.00	O-RING 4287		
1311	110103.00	BY-PASS GASKET		
1311	110104.00	O-RING 3068		
1311	110105.00	O-RING 115		
1311	110106.00	O-RING 3056		
1311	110107.02	O-RING 17,86x2,62		replaces 110107.01
1311	110112.00	COMPLETE BELT TENSIONER		
1311	110123.00	BY-PASS SPRING FOR PUMP		
1311	110139.00	PUMP BODY		
1311	110140.01	COPERCHIO POMPA MOD. G		replaces 110140.00
1311	110143.01	BAYONET JOINT L=39mm		
1311	110154.06	PUMP OVERRUN REGULATOR Vers.G, BLACK		
1311	110155.01	BEATER TRANSMISSION SHAFT L=118mm		
1311	110237.00	SEEGER RING 15 E		
1311	110310.01	PUMP HUB L=135mm		
1311	110313.00	O-RING 108		
1311	110318.00	SEAL RING 18x35x7mm		
1311	111781.00	PUMP BELT XPZ 762		
1311	120065.00	PUMP COMPRESSION PIPE		
1311	120565.00	SCREW DIN 6921 M6x18		replaces 120155.00
1311	120305.00	BEARING 608 ZZ		
1311	120306.01	BELT TENSIONER ROLLER BUSHING 12/9,1mm		replaces 120306.00
1311	120312.00	NUT M8		
1311	120313.01	COMPLETE BELT TENSIONER		
1311	120332.00	BEARING 6002 2RS		
1311	120333.00	TONGUE 5x5x12		
1311	120334.00	SEEGER RING 32 I		
1311	120335.00	WASHER 72/40/6mm		
1311	120347.00	WASHER D6x30		
1311	120436.01	BELT TENSIONER ROLLER BUSHING 12/15,1mm		replaces 120436.00
1311	120704.05	COUPLE OF PUMP GEARS - PLASTIC		
1311	120705.00	GASKETS KIT FOR SINGLE PUMP Vers. G		
1311	120738.00	SCREW DIN 933 M8x50		
1311	120742.01	PUMP PULLEY HT-B		
1311	122152.00	PUMP PULLEY D=45mm		
1311	123392.02	REGOLATORE POMPA VERSIONE G 70xD=31mm		replaces 123392.01
1311	130051.00	RING NUT M40		
1311	131453.03	PUMP OVERRUN REGULATOR Vers.G, WHITE		



Versione B - Serie B, HT 50Hz
B series, HT 50Hz - B version

MIXER VASCA
HOPPER MIXER

07/2017

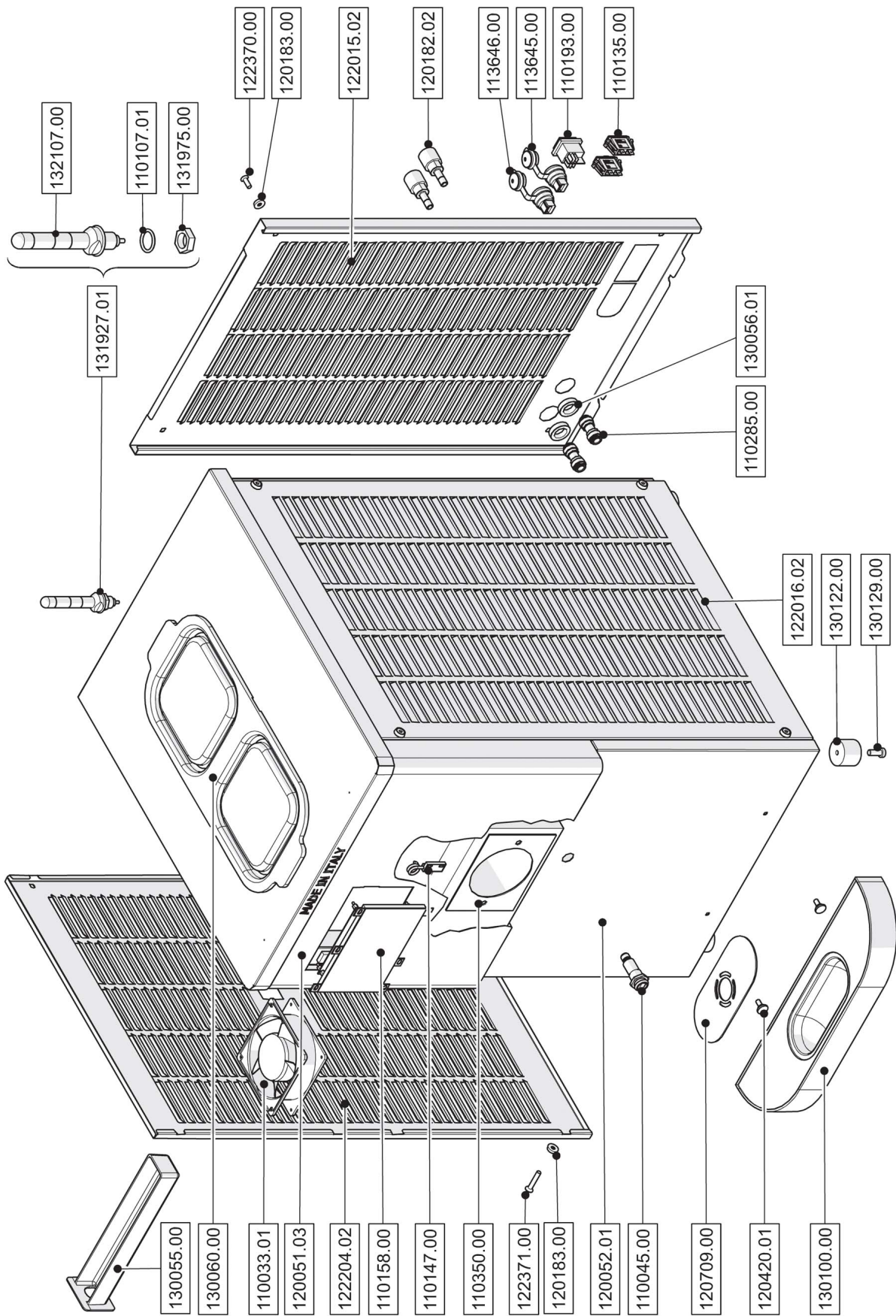
Tav. 1128



The system is constantly updated. Thus the data shown can be subject to changes without prior notice.

Component list

Exploded view	Item	Description	Price	Notes
1128	110006.00	MIXER MOTOR CA73 230Vca 50Hz		
1128	110076.00	BEARING 608-2RS		
1128	110204.01	MIXER FIXING THREAD		replaces 110204.00
1128	110206.01	ALBERO CANOTTO AGITATORE VASCHE L=230mm		replaces 110206.00
1128	110319.00	SEAL RING 8x22x7mm		
1128	112760.00	BEARING 61903-2RS		
1128	112761.00	MIXER DRIVING DISC		
1128	120291.00	SEEGER RING 17 E		
1128	120300.01	O-RING 3156		replaces 120300.00
1128	120307.01	MIXER CAP D=22mm		replaces 120307.00
1128	121385.02	MIXER IMPELLER - B HT		
1128	122787.00	RING NUT 40/10,5/M20		
1128	122792.00	INSULATING PLATE		
1128	122797.00	MIXER PULLEY 40XL038		
1128	122803.00	MIXER BELT 130XL037		
1128	122805.01	FIXING PLATE		replaces 122805.00
1128	121384.02	MIXER MOTOR GASKET		replaces 123120.00
1128	130472.00	MIXER HUB L=168mm		
1128	130703.00	CAPACITOR 1,5ÅµF		
1128	131542.00	MIXER PULLEY 15xL037		

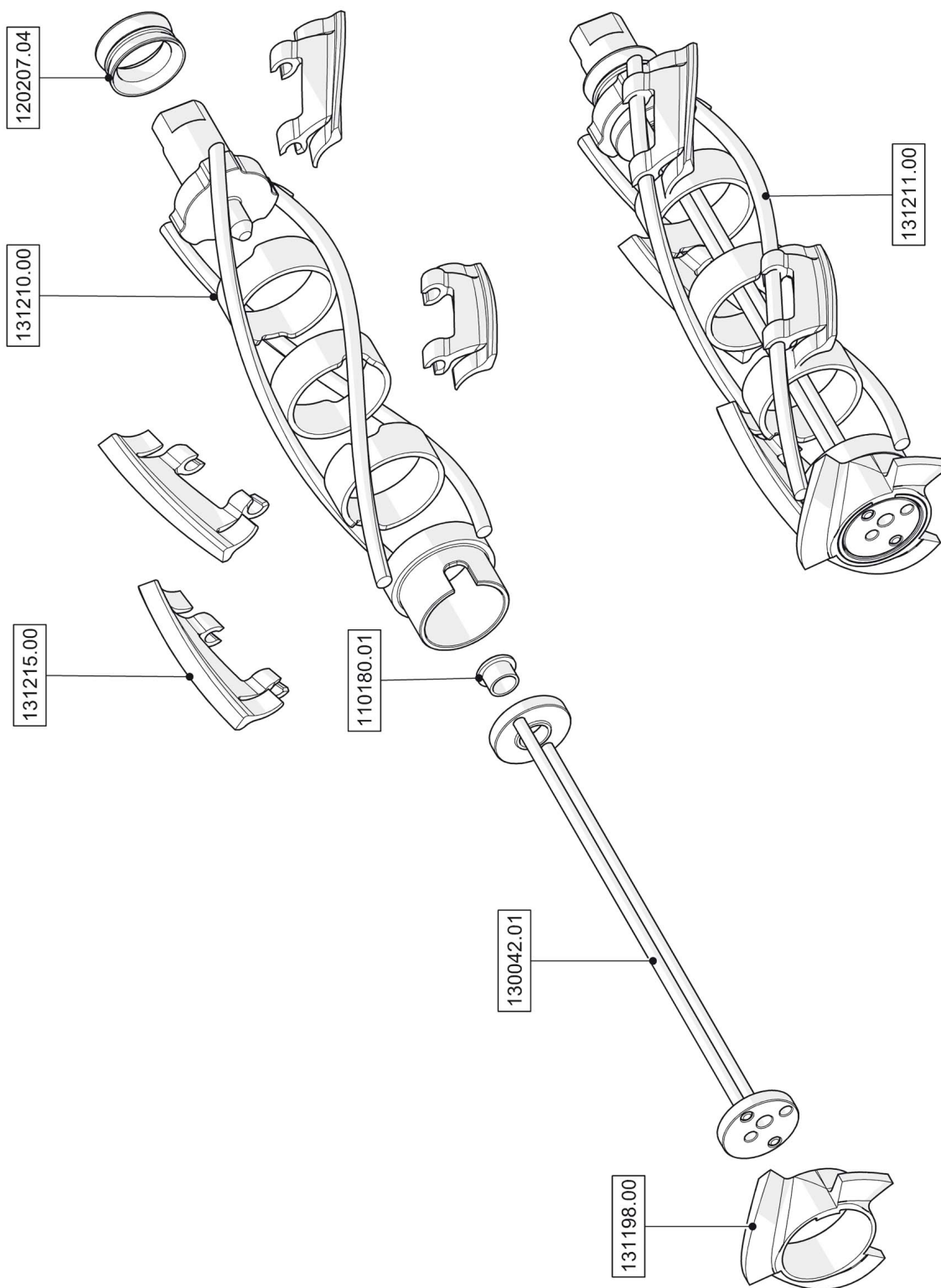


	Tav. 1312	03/2018	ALLESTIMENTO EQUIPMENT	BC 151 HT acqua (accessori neri) BC 151 HT water (black accessories)
--	-----------	---------	---------------------------	---

The system is constantly updated. Thus the data shown can be subject to changes without prior notice.

Component list

Exploded view	Item	Description	Price	Notes
1312	110033.01	FAN D=120mm 230Vac 50-60Hz		
1312	110045.00	PHOTOELECTRIC CELL 10-30Vdc NPN L=130 mm		
1312	110107.02	O-RING 17,86x2,62		replaces 110107.01
1312	110135.00	PANEL FUSE-HOLDER		
1312	110147.00	MAGNETIC SENSOR 24-230 Vac		
1312	110158.00	CPU BOARD WITH TOUCH SCREEN 7		
1312	110193.00	SWITCH 250Vac 16A		
1312	110285.00	CONNECTION FOR TUBE D=10		
1312	110350.00	ANTI-CONDENSATION GASKET 150x115mm		
1312	113645.00	USB PANEL CONNECTOR		
1312	113646.00	PANEL CONNECTOR RJ45		
1312	120051.03	UPPER FRONT PANEL BC150		
1312	120052.01	LOWER FRONT PANEL BC1		
1312	120182.02	WATER INLET/OUTLET CONNECTIONS CONNECTOR		
1312	120183.00	HUBCAP		
1312	120420.01	ROD		
1312	120709.00	DRIP-TRAY GRILL 179x80mm		
1312	122015.03	PANNELLO RETRO BC1		replaces 122015.02
1312	122016.02	RIGHT-HAND SIDE PANEL BC1		
1312	122204.02	LEFT-HAND SIDE PANEL BC2		
1312	122370.00	SCREW DIN 965 M6x12 ST.STEEL		
1312	122371.00	SCREW DIN 965 M6x30 ST.STEEL		
1312	130055.00	CONDENSATE TRAY L=260mm		
1312	130056.01	NUT 1/2GAS		
1312	130060.01	COPERCHIO VASCA 467x196mm		replaces 130060.00
1312	130100.00	DRIP-TRAY 414,2x115x45mm		
1312	130122.00	RUBBER FOOT		
1312	130129.00	SCREW DIN 912 M8x20		
1312	131927.01	CONDUCTION LEVEL SENSOR C2		
1312	131975.00	NUT D=22 3/8 GAS		
1312	132107.00	C2 LEVEL SENSOR BODY		

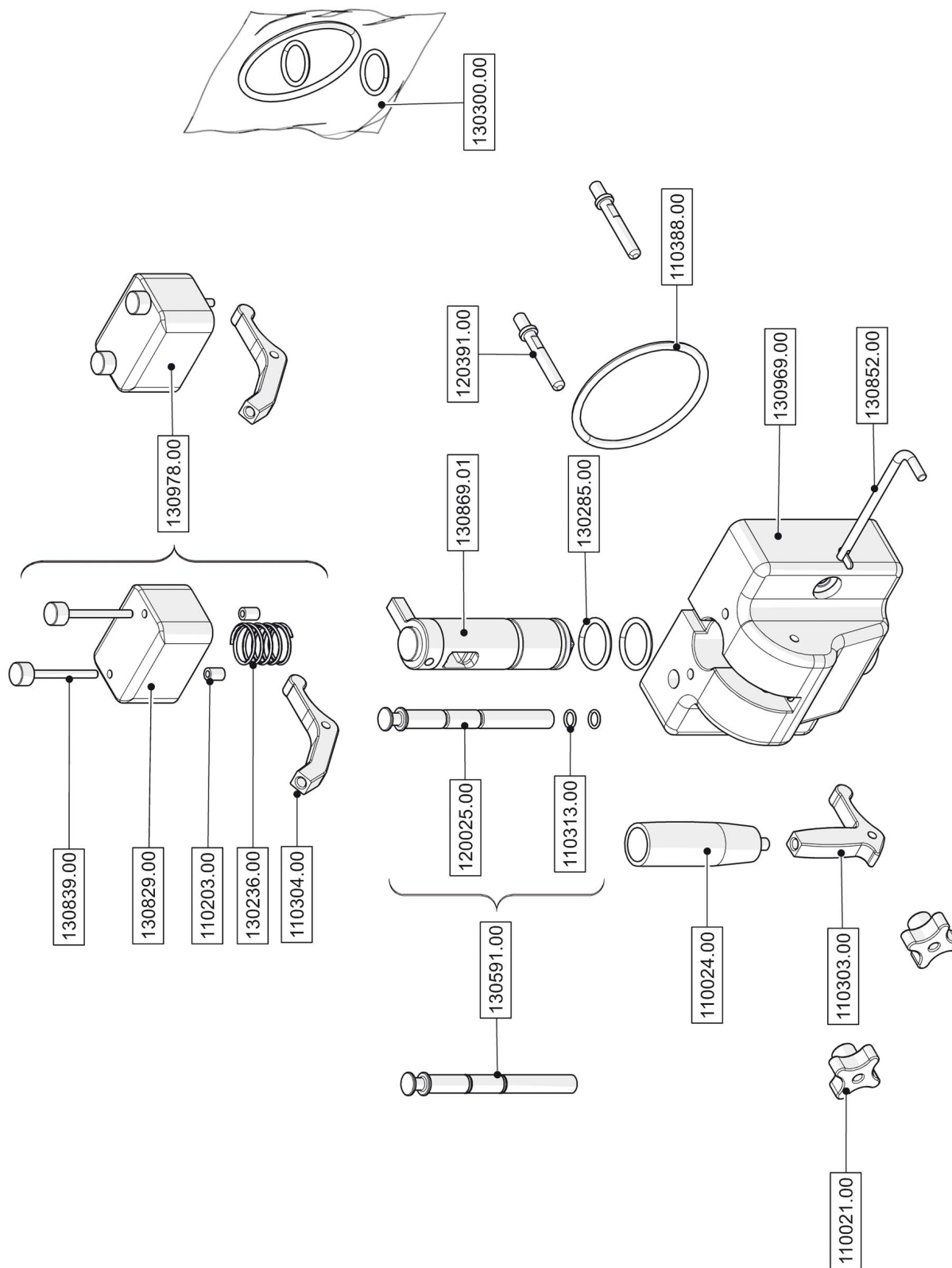


	Tav. 706	11/2015	AGITATORE BEATER	SF1 - Serie B SF1 - B series
--	-----------------	---------	-----------------------------	---------------------------------

The system is constantly updated. Thus the data shown can be subject to changes without prior notice.

Component list

Exploded view	Item	Description	Price	Notes
706	110180.02	BOCCOLA PER AGITATORE D=20 L=11,5mm		replaces 110180.01
706	120207.06	BEATER SEALING RING		replaces 120207.04
706	130042.03	BEATER IDLER LS1-B		replaces 130042.01
706	131198.04	COCLEA AGITATORE SF1 SERIE S-B		replaces 131198.00
706	131210.02	CORPO AGITATORE SF2-B		replaces 131210.00
706	131211.03	AGITATORE SF2-B		replaces 131211.00
706	131215.03	BEATER BLADE SF1-B		replaces 131215.00

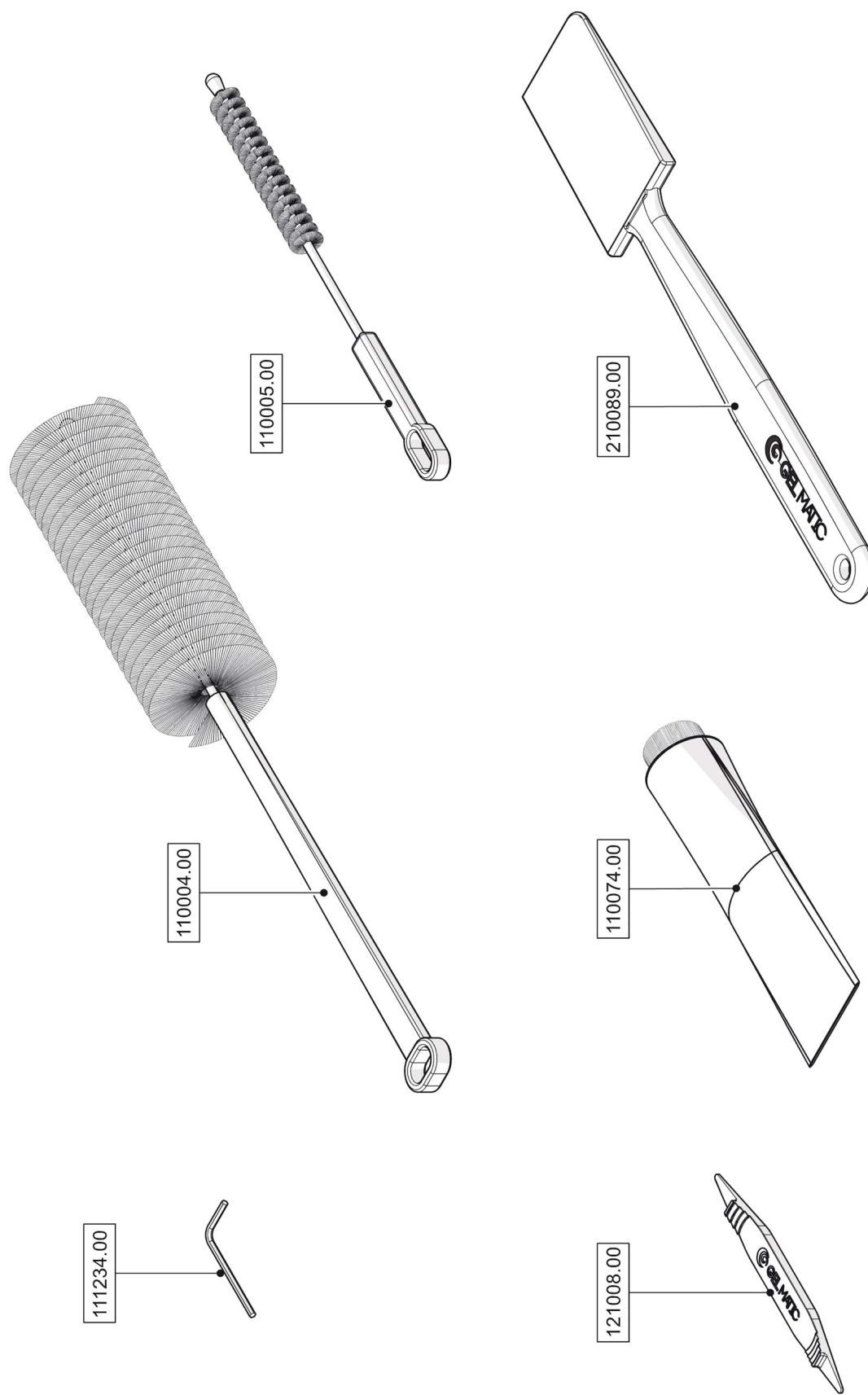



	GEL MATIC Tav. 640	04/2015	GRUPPO EROGAZIONE DISPENSING DOOR	B1 PM, SC1 EASY GR, design standard, colore nero, leva standard, 1 pistone B1 PM, SC1 EASY GR, standard design, black colour, standard dispensing lever, a piston
--	-------------------------------------	---------	--	--

The system is constantly updated. Thus the data shown can be subject to changes without prior notice.

Component list

Exploded view	Item	Description	Price	Notes
640	110021.00	FASTENING KNOB M8		
640	110024.00	BLACK HANDLE		
640	110203.00	THREADED BUSHING M8 H=11mm		
640	110303.00	DISPENSING LEVER		
640	110304.00	DISPENSING LEVER		
640	110313.00	O-RING 108		
640	110388.00	O-RING 6337		
640	120025.00	AIR VENT VALVE L=130,5mm		
640	120391.00	DISPENSING UNIT TIE ROD		
640	114132.00	MOLLA DI COMPRESSIONE 2,2x21,8x59,1		replaces 130236.00
640	130285.00	O-RING		
640	130300.00	DISPENSING UNIT GASKETS KIT 1/2L B		
640	130591.00	AIR VENT VALVE L=130mm		
640	130829.00	SELF CLOSING SET COVER - PC BLACK B1		
640	130839.00	ROD		
640	130852.01	PERNO PER LEVA L=104mm		replaces 130852.00
640	130869.02	PISTONE MAGN. LATERALE NERO L=131,6mm		replaces 130869.01
640	130969.02	DISPENSING UNIT BODY B1 PM ST N 1L		replaces 130969.00
640	130978.00	SELF CLOSING COVER - BLACK B-M-H 1L		

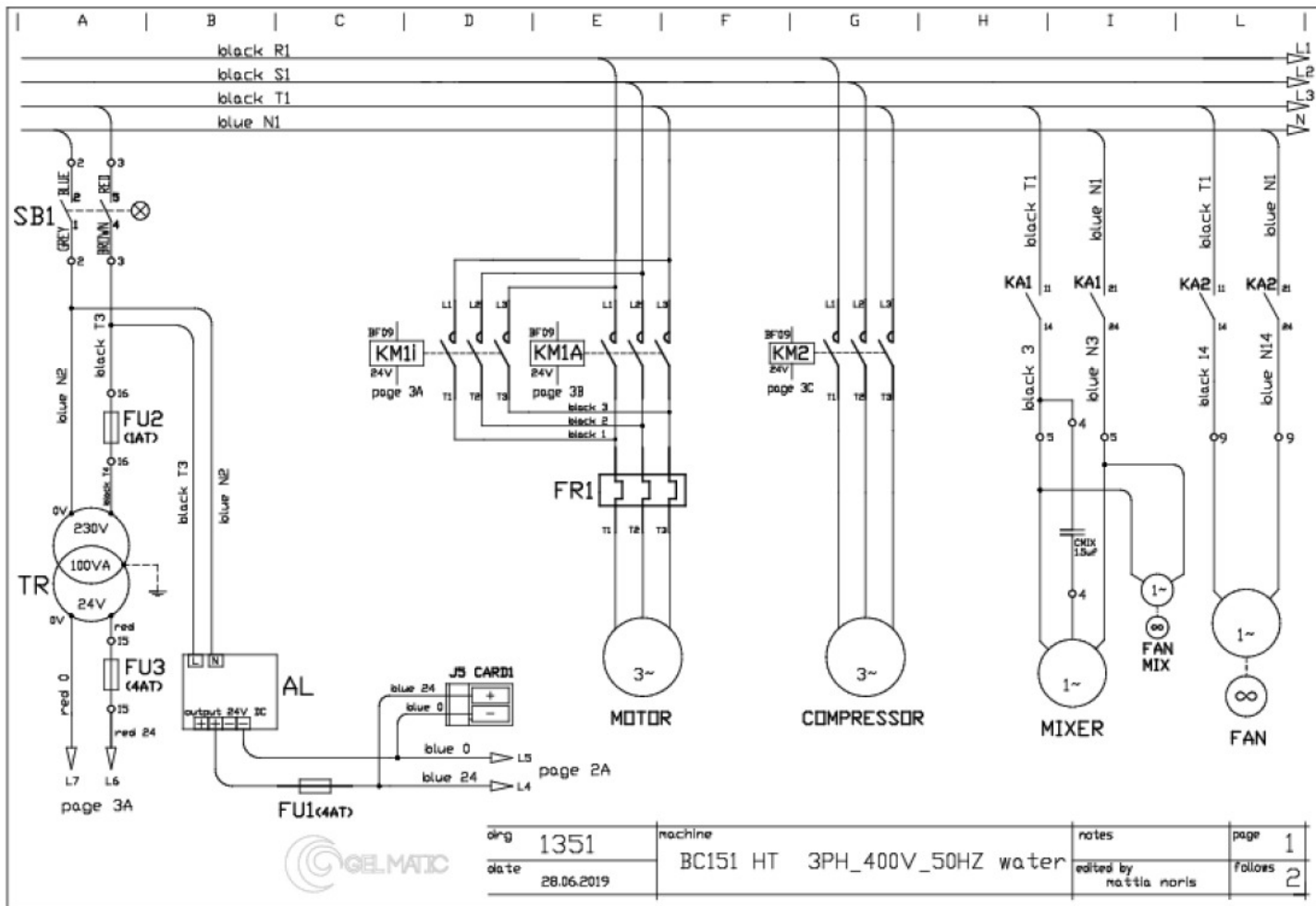


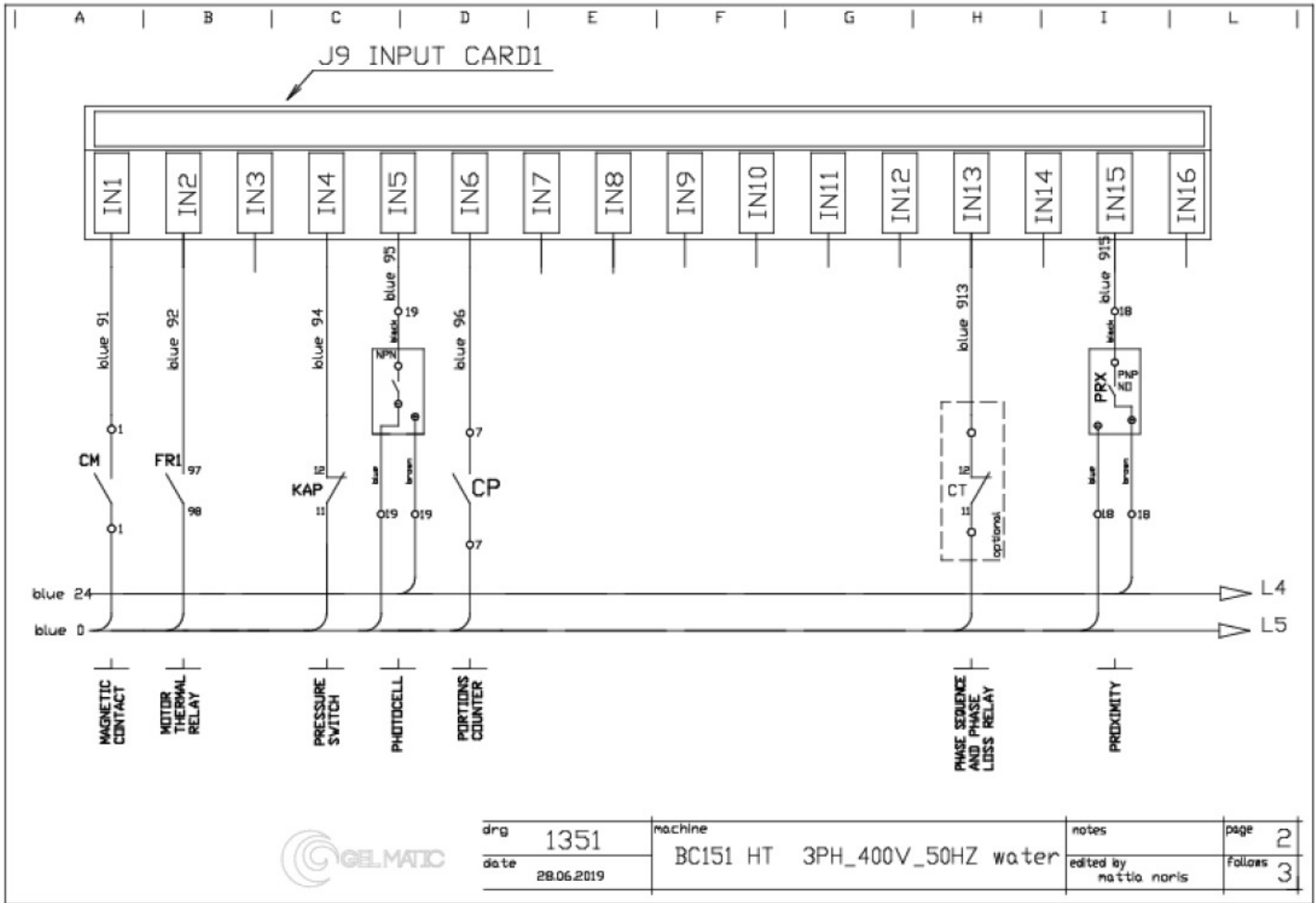
	Tav. 978	ACCESSORI ACCESSORIES	Strumenti per manutenzione ordinaria <i>Ordinary maintenance equipment</i>
---	-----------------	----------------------------------	---

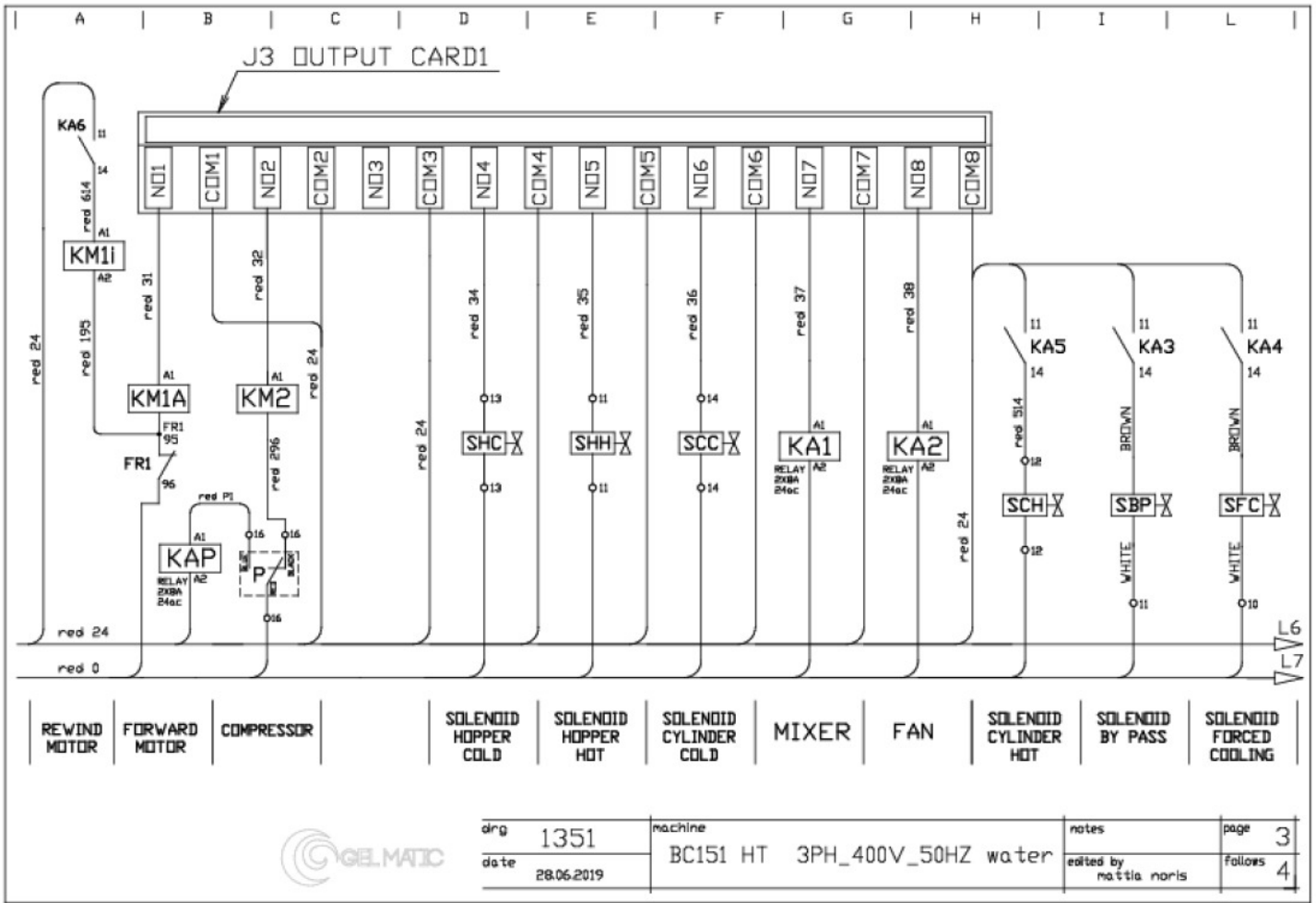
The system is constantly updated. Thus the data shown can be subject to changes without prior notice.

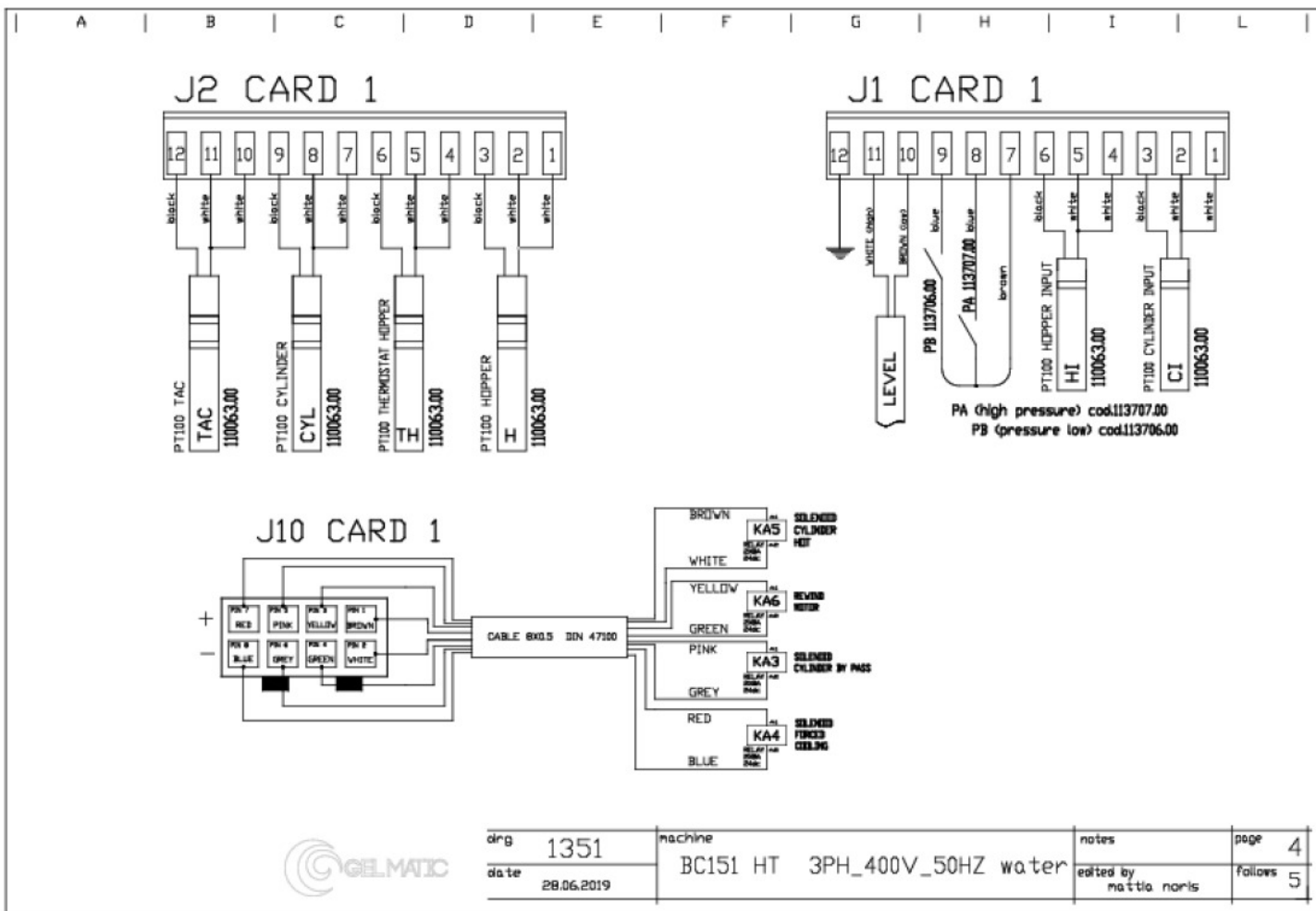
Component list

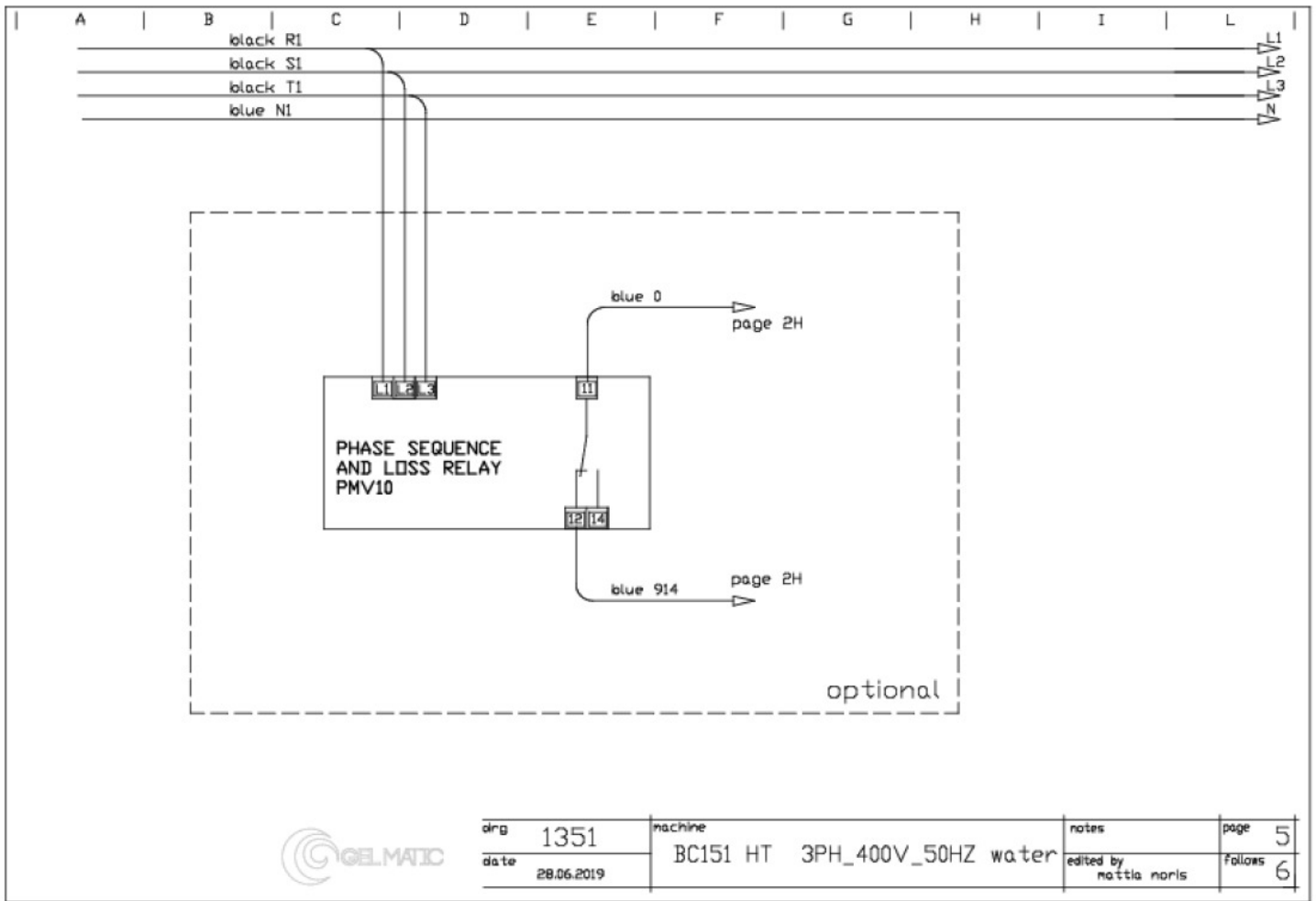
Exploded view	Item	Description	Price	Notes
978	110004.01	CLEANING BRUSH L=160mm		replaces 110004.00
978	110005.00	CLEANING BRUSH L=100mm		
978	110074.00	LUBRICANT TUBE		
978	111234.00	ALLEN KEY 2,5mm		
978	121008.00	O-RING REMOVER		
978	210089.00	WHITE SPATULA WITH LOGO		

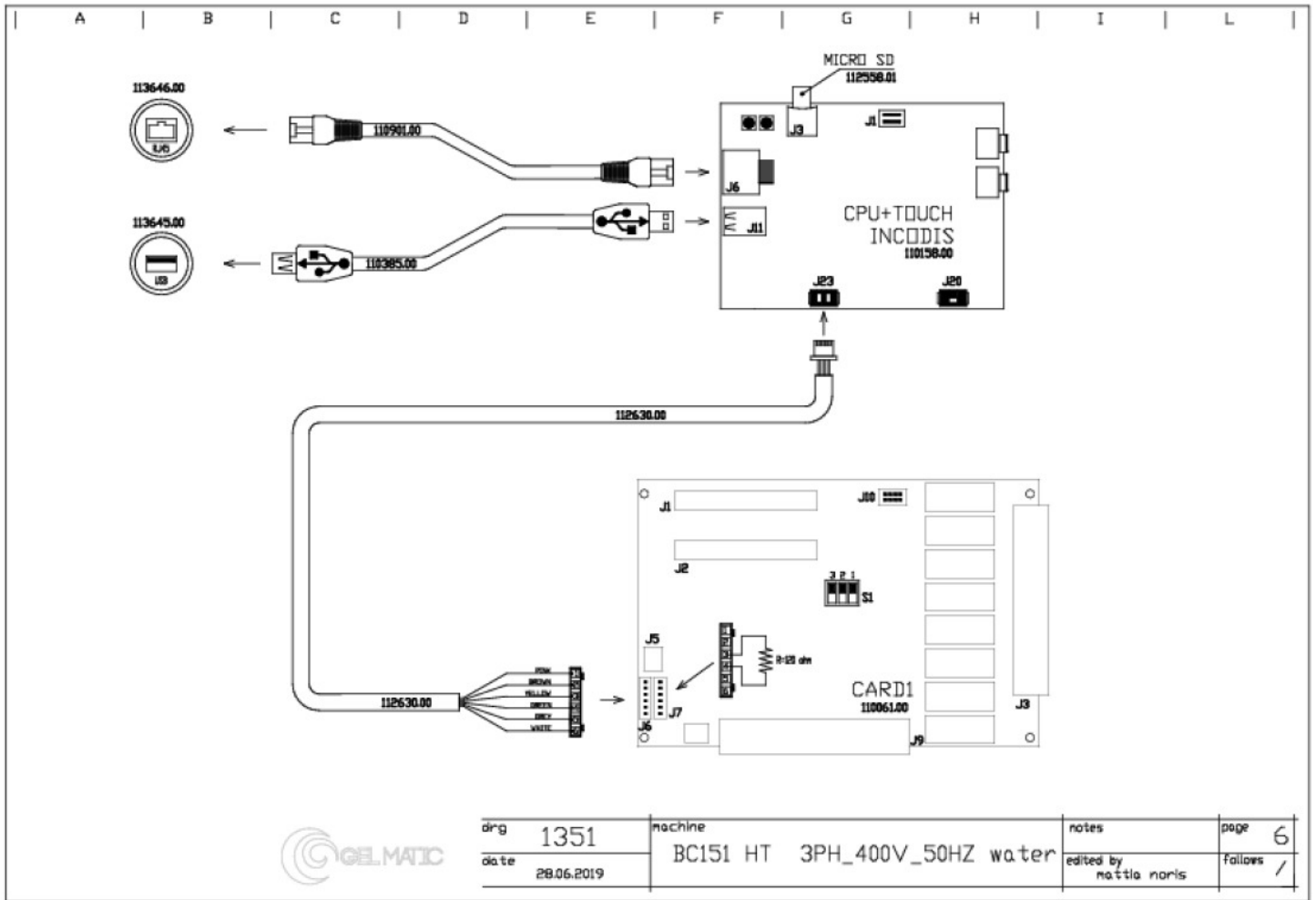












Component list

List - L1092	Item	Description	Price	Notes
L1092	110001.00	MAGNETIC SENSOR 24-150 Vac		
L1092	110033.01	FAN D=120mm 230Vac 50-60Hz		
L1092	110042.00	DANFOSS COIL 24Vac 50-60Hz		
L1092	110045.00	PHOTOELECTRIC CELL 10-30Vdc NPN L=130 mm		
L1092	110047.01	INDUCTIVE SENSOR M12 PNP-NO L=4mm		
L1092	110048.02	CONNETTORE M12 4PIN L=2m		replaces 110048.01
L1092	110061.00	INCODIS I/O BOARD		
L1092	110063.00	PT100 TEMPERATURE PROBE		
L1092	110087.00	POWER SUPPLY 60W 2,5A 24Vdc		
L1092	110131.00	THERMAL RELAY 1,6:2,5A RF38		
L1092	110135.00	PANEL FUSE-HOLDER		
L1092	110136.00	TRIPOLAR CONTACTOR 9A 24Vac 50/60Hz		
L1092	110144.00	2-CONTACT RELAY 24Vac 8A WITH BASE		
L1092	110145.00	2-CONTACT RELAY 24Vdc 8A WITH BASE		
L1092	110147.00	MAGNETIC SENSOR 24-230 Vac		
L1092	110158.00	CPU BOARD WITH TOUCH SCREEN 7		
L1092	110193.00	SWITCH 250Vac 16A		
L1092	110295.01	CONNETTORE PER BOBINA		
L1092	110338.00	FUSE 1A T 5x20		
L1092	110339.00	FUSE 4A T 5x20		
L1092	110385.00	DATA CABLE USB		
L1092	110636.01	POWER CORD		
L1092	110874.00	2-CONTACT RELAY 24Vac 8A		
L1092	110901.00	ETHERNET DATA CABLE		
L1092	111481.00	2-CONTACT RELAY 24Vdc 8A		
L1092	111628.00	TRANSFORMER 1Ph 100VA 220-230V 0-24V		
L1092	112558.01	MICRO SD CARD		
L1092	112630.00	DATA CABLE Ref. No. 9015		
L1092	113645.00	USB PANEL CONNECTOR		
L1092	113646.00	PANEL CONNECTOR RJ45		
L1092	113706.00	PRESSURE TRANSMITTERS		
L1092	113707.00	PRESSURE TRANSMITTERS		
L1092	130703.00	CAPACITOR 1,5ÅµF		