

---

## Exploded views booklet

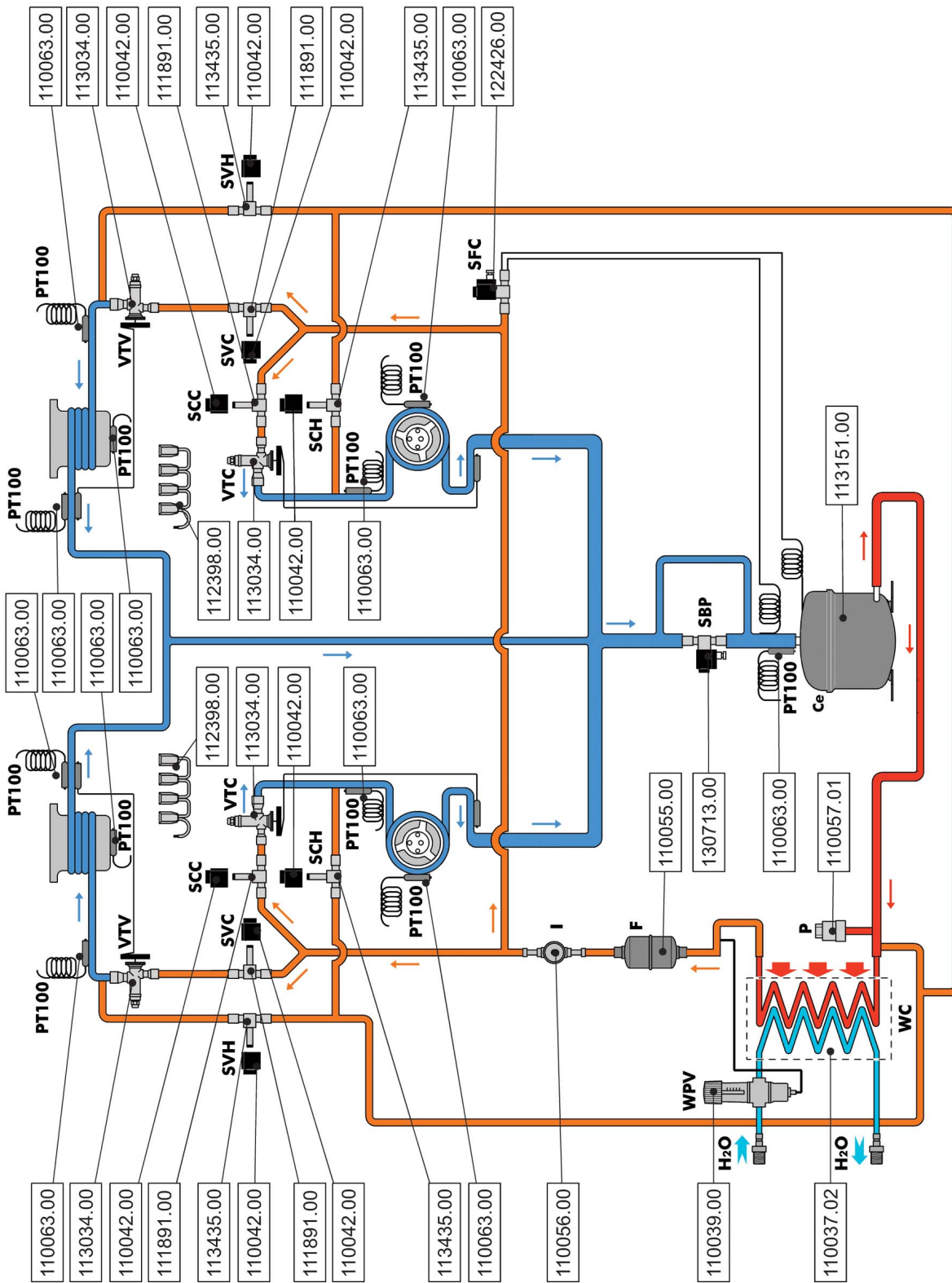
# Serial Number: C3GDM

**Model: BC 261 HTP - 3Ph-380/415V-50Hz - Water**

**Year of manufacture: 03-2020**

## Index

Exploded view 1585 .....	2
Exploded view 637 .....	4
Exploded view 016 .....	6
Exploded view 769 .....	8
Exploded view 1128 .....	10
Exploded view 954 .....	12
Exploded view 706 .....	14
Exploded view 667 .....	16
Exploded view 978 .....	18
Wiring diagram .....	20
Component list L1038 .....	30



CIRCUITO FRIGORIFERO  
REFRIGERATING SYSTEM

07/2020

Tav. 1585

The system is constantly updated. Thus the data shown can be subject to changes without prior notice.

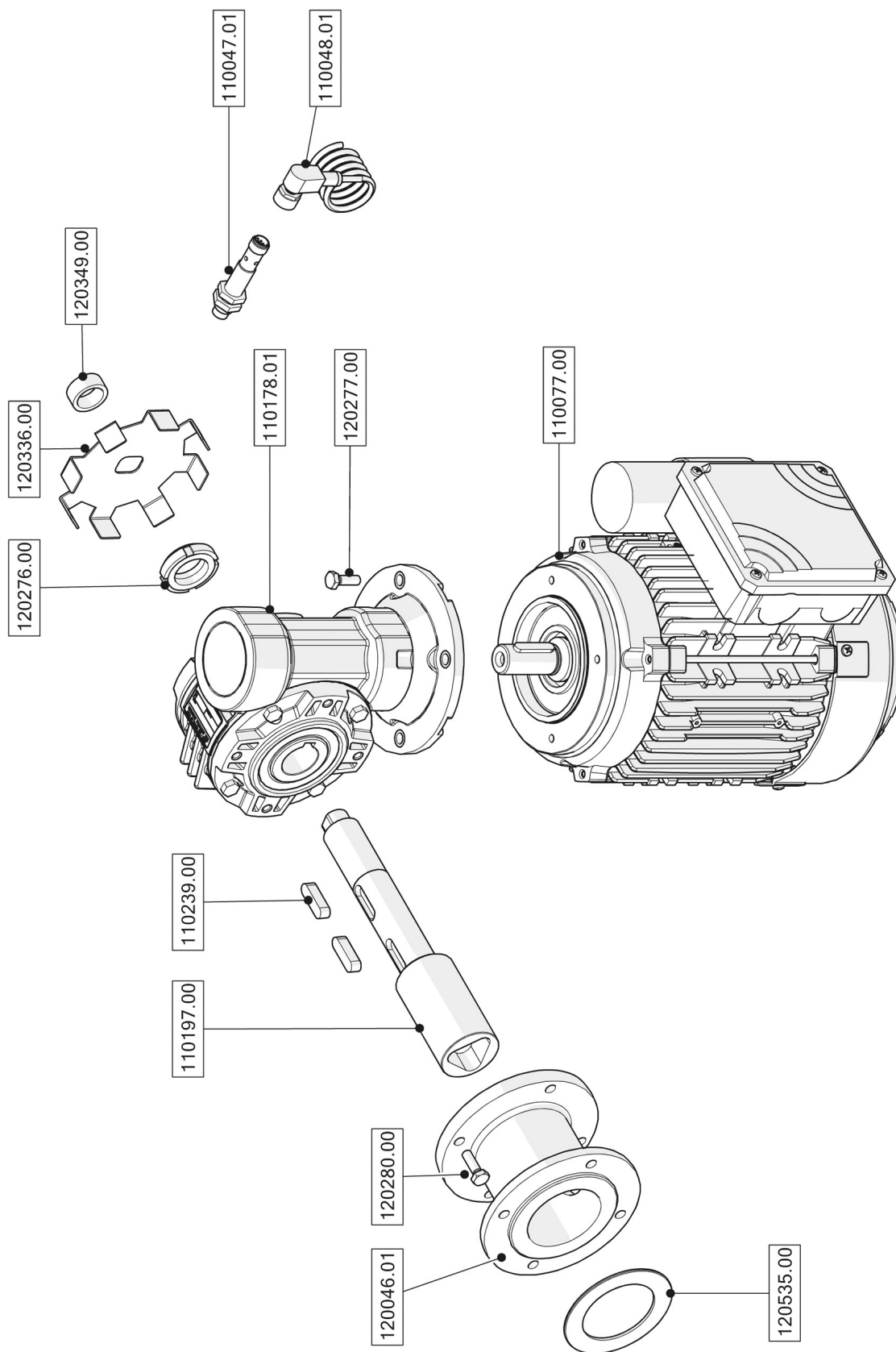
## Component list

Exploded view	Item	Description	Price	Notes
1585	110037.02	HEAT EXCHANGER		
1585	110039.00	PRESSURE CONTROLLED WATER VALVE		
1585	110042.00	DANFOSS COIL 24Vac 50-60Hz		
1585	110055.00	FILTER DRYER 250cc		
1585	110056.00	DANFOSS MOISTURE INDICATOR 1/4		
1585	110057.01	PRESSURE SWITCH		
1585	110063.00	PT100 TEMPERATURE PROBE		
1585	111891.00	DANFOSS SOLENOID VALVE		
1585	112398.00	CABLE CONNECTOR FOR NR.4 COILS		
1585	113034.00	TS2 VALVE MOP50 WITH OREFICE 03		
1585	113151.00	COMPRESSORE TAJ2464Z-TZ 3Ph-400V-50Hz		
1585	113435.00	DANFOSS SOLENOID VALVE		
1585	122426.00	DANFOSS VALVE EVR3 24Vac + CONNECTOR		
1585	130713.00	DANFOSS VALVE EVR10 24Vac + CONNECTOR		



## Component list

Exploded view	Item	Description	Price	Notes
637	110037.02	HEAT EXCHANGER		replaces 110037.01
637	110039.00	PRESSURE CONTROLLED WATER VALVE		
637	110280.01	TUBE LLDPE De=10 Di=7 mm		
637	110281.00	WATER CONNECTOR 3/4G L=50mm		
637	110283.00	UNION ELBOW FOR TUBE D=10		
637	110284.00	TANG CONNECTOR 3/8G D=10mm		
637	110285.00	CONNECTION FOR TUBE D=10		
637	110308.00	GASKET 24,9/14,1/3mm		
637	112831.00	WATER FILTER		
637	112863.00	CONICAL NIPPLE 3/4-3/4		
637	120182.02	WATER INLET/OUTLET CONNECTIONS CONNECTOR		replaces 120182.01
637	120239.02	WATER CONDENSER FIXING KIT		replaces 120239.01
637	130056.01	NUT 1/2GAS		



B1-B2 (3Ph-380/415V-50Hz)  
B1-B2 (3Ph-380/415V-50Hz)

TRASMISSIONE MECCANICA  
MECHANICAL TRANSMISSION

05/2014

Tav. 016

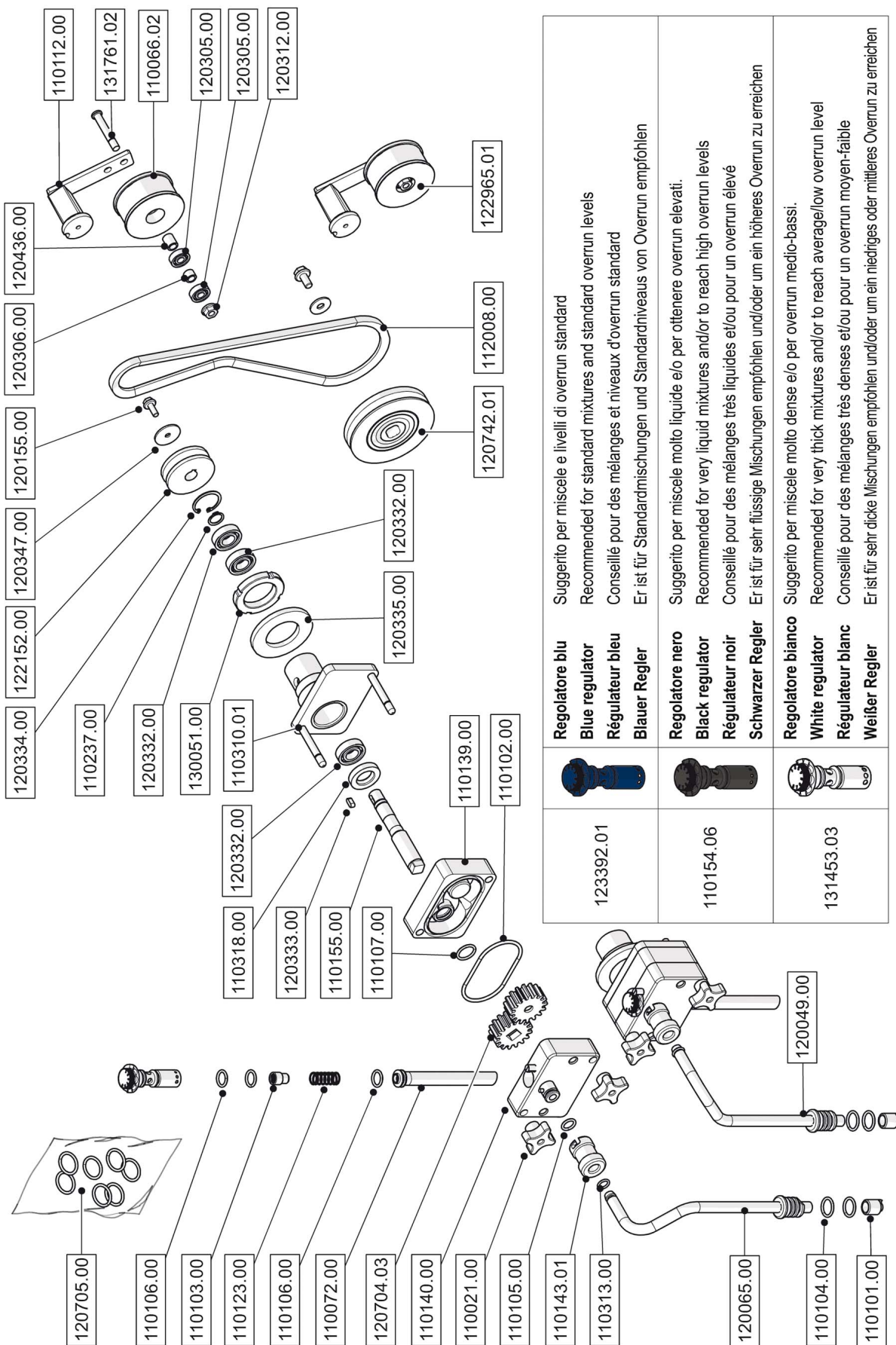





The system is constantly updated. Thus the data shown can be subject to changes without prior notice.

## Component list

Exploded view	Item	Description	Price	Notes
016	110047.01	INDUCTIVE SENSOR M12 PNP-NO L=4mm		
016	110048.02	CONNETTORE M12 4PIN L=2m		replaces 110048.01
016	110077.00	MOTOR 0,75kW 3Ph 50Hz		
016	110178.02	REDUCTION UNIT GM49 I=10		replaces 110178.01
016	110197.02	BEATER TRANSMISSION SHAFT L=211mm		replaces 110197.00
016	110239.00	TONGUE 8x7x28		
016	120046.02	DISTANZIALE PER RIDUTTORE L= 77,2 GM49		replaces 120046.01
016	120276.00	SELF-LOCKING RING NUT M25		
016	120277.00	SCREW DIN 933 M6x18		
016	120565.00	SCREW DIN 6921 M6x18		replaces 120280.00
016	120336.00	PHONIC WHEEL		
016	120349.00	SPACER RING 24/18,2/10mm		
016	120535.00	INSULATING RING 74,5/50/2mm		





123392.01		<b>Regolatore blu</b> <b>Blue regulator</b> <b>Régulateur bleu</b> <b>Blauer Regler</b>	Suggerito per miscele e livelli di overrun standard Recommended for standard mixtures and standard overrun levels Conseillé pour des mélanges et niveaux d'overrun standard Er ist für Standardmischungen und Standardniveaus von Overrun empfohlen
110154.06		<b>Regolatore nero</b> <b>Black regulator</b> <b>Régulateur noir</b> <b>Schwarzer Regler</b>	Suggerito per miscele molto liquide e/o per ottenere overrun elevati. Recommended for very liquid mixtures and/or to reach high overrun levels Conseillé pour des mélanges très liquides et/ou pour un overrun élevé Er ist für sehr flüssige Mischungen empfohlen und/oder um ein höheres Overrun zu erreichen
131453.03		<b>Regolatore bianco</b> <b>White regulator</b> <b>Régulateur blanc</b> <b>Weißer Regler</b>	Suggerito per miscele molto dense e/o per overrun medio-bassi. Recommended for very thick mixtures and/or to reach average/low overrun level Conseillé pour des mélanges très denses et/ou pour un overrun moyen-faible Er ist für sehr dicke Mischungen empfohlen und/oder um ein niedrigeres oder mittleres Overrun zu erreichen

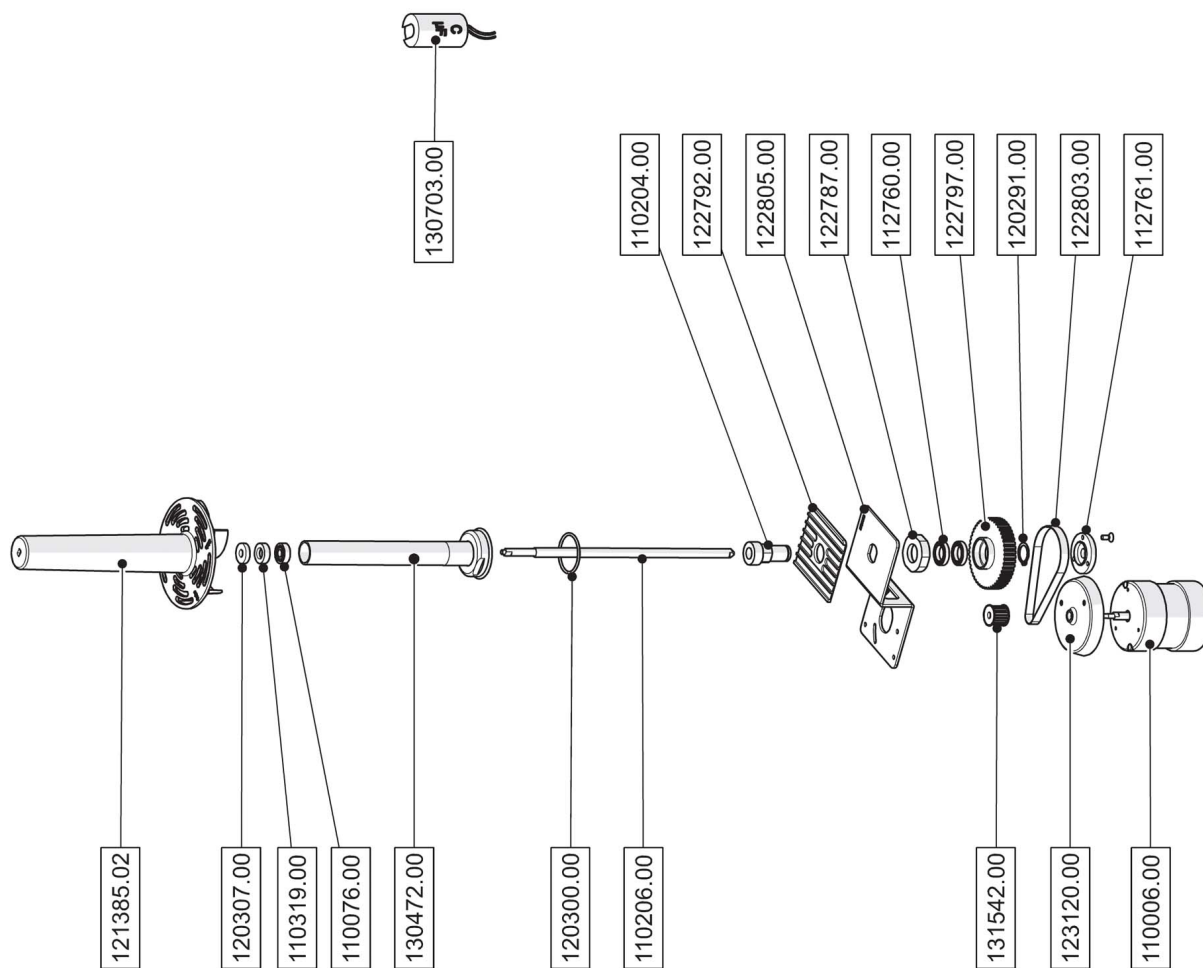
	<b>GEL MATIC</b>	<b>Tav. 769</b>	10/2016	<b>POMPA DI PRESSURIZZAZIONE</b> <b>PRESSURISING GEAR PUMP</b>	Versione G - B2 HT B2 HT - G version
---	------------------	-----------------	---------	---	---

The system is constantly updated. Thus the data shown can be subject to changes without prior notice.



## Component list

Exploded view	Item	Description	Price	Notes
769	110021.00	FASTENING KNOB M8		
769	110066.03	BELT TENSIONER ROLLER		replaces 110066.02
769	110072.01	PUMP SUCTION PIPE		replaces 110072.00
769	110101.00	NON-RETURN VALVE		
769	110102.00	O-RING 4287		
769	110103.00	BY-PASS GASKET		
769	110104.00	O-RING 3068		
769	110105.00	O-RING 115		
769	110106.00	O-RING 3056		
769	110107.02	O-RING 17,86x2,62		replaces 110107.00
769	110112.00	COMPLETE BELT TENSIONER		
769	110123.00	BY-PASS SPRING FOR PUMP		
769	110139.00	PUMP BODY		
769	110140.01	COPERCHIO POMPA MOD. G		replaces 110140.00
769	110143.01	BAYONET JOINT L=39mm		
769	110154.06	PUMP OVERRUN REGULATOR Vers.G, BLACK		
769	110155.01	BEATER TRANSMISSION SHAFT L=118mm		replaces 110155.00
769	110237.00	SEEGER RING 15 E		
769	110310.01	PUMP HUB L=135mm		
769	110313.00	O-RING 108		
769	110318.00	SEAL RING 18x35x7mm		
769	112008.00	PUMP BELT XPZ 772		
769	120049.00	PUMP COMPRESSION PIPE		
769	120065.00	PUMP COMPRESSION PIPE		
769	120565.00	SCREW DIN 6921 M6x18		replaces 120155.00
769	120305.00	BEARING 608 ZZ		
769	120306.01	BELT TENSIONER ROLLER BUSHING 12/9,1mm		replaces 120306.00
769	120312.00	NUT M8		
769	120332.00	BEARING 6002 2RS		
769	120333.00	TONGUE 5x5x12		
769	120334.00	SEEGER RING 32 I		
769	120335.00	WASHER 72/40/6mm		
769	120347.00	WASHER D6x30		
769	120436.01	BELT TENSIONER ROLLER BUSHING 12/15,1mm		replaces 120436.00
769	120704.05	COUPLE OF PUMP GEARS - PLASTIC		replaces 120704.03
769	120705.00	GASKETS KIT FOR SINGLE PUMP Vers. G		
769	120742.01	PUMP PULLEY HT-B		
769	122152.00	PUMP PULLEY D=45mm		
769	122965.02	COMPLETE TENSIONER T02		replaces 122965.01
769	123392.02	REGOLATORE POMPA VERSIONE G 70xD=31mm		replaces 123392.01
769	130051.00	RING NUT M40		
769	131453.03	PUMP OVERRUN REGULATOR Vers.G, WHITE		
769	131761.02	ROD		



Versione B - Serie B, HT 50Hz  
B series, HT 50Hz - B version

MIXER VASCA  
HOPPER MIXER

07/2017

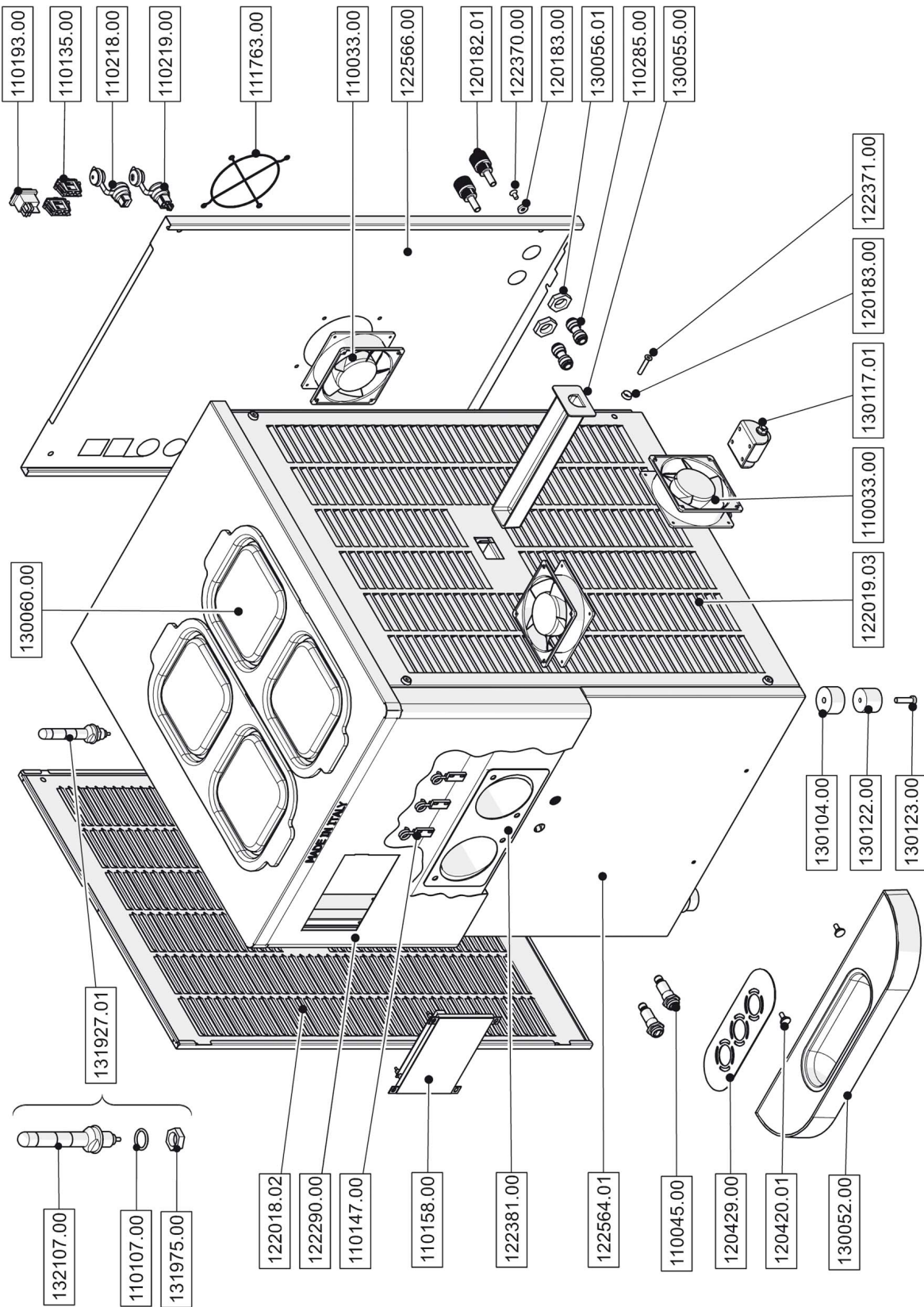
Tav. 1128



The system is constantly updated. Thus the data shown can be subject to changes without prior notice.

## Component list

Exploded view	Item	Description	Price	Notes
1128	110006.00	MIXER MOTOR CA73 230Vca 50Hz		
1128	110076.00	BEARING 608-2RS		
1128	110204.01	MIXER FIXING THREAD		replaces 110204.00
1128	110206.01	ALBERO CANOTTO AGITATORE VASCHE L=230mm		replaces 110206.00
1128	110319.00	SEAL RING 8x22x7mm		
1128	112760.00	BEARING 61903-2RS		
1128	112761.00	MIXER DRIVING DISC		
1128	120291.00	SEEGER RING 17 E		
1128	120300.01	O-RING 3156		replaces 120300.00
1128	120307.01	MIXER CAP D=22mm		replaces 120307.00
1128	121385.02	MIXER IMPELLER - B HT		
1128	122787.00	RING NUT 40/10,5/M20		
1128	122792.00	INSULATING PLATE		
1128	122797.00	MIXER PULLEY 40XL038		
1128	122803.00	MIXER BELT 130XL037		
1128	122805.01	FIXING PLATE		replaces 122805.00
1128	121384.02	MIXER MOTOR GASKET		replaces 123120.00
1128	130472.00	MIXER HUB L=168mm		
1128	130703.00	CAPACITOR 1,5ÅµF		
1128	131542.00	MIXER PULLEY 15xL037		

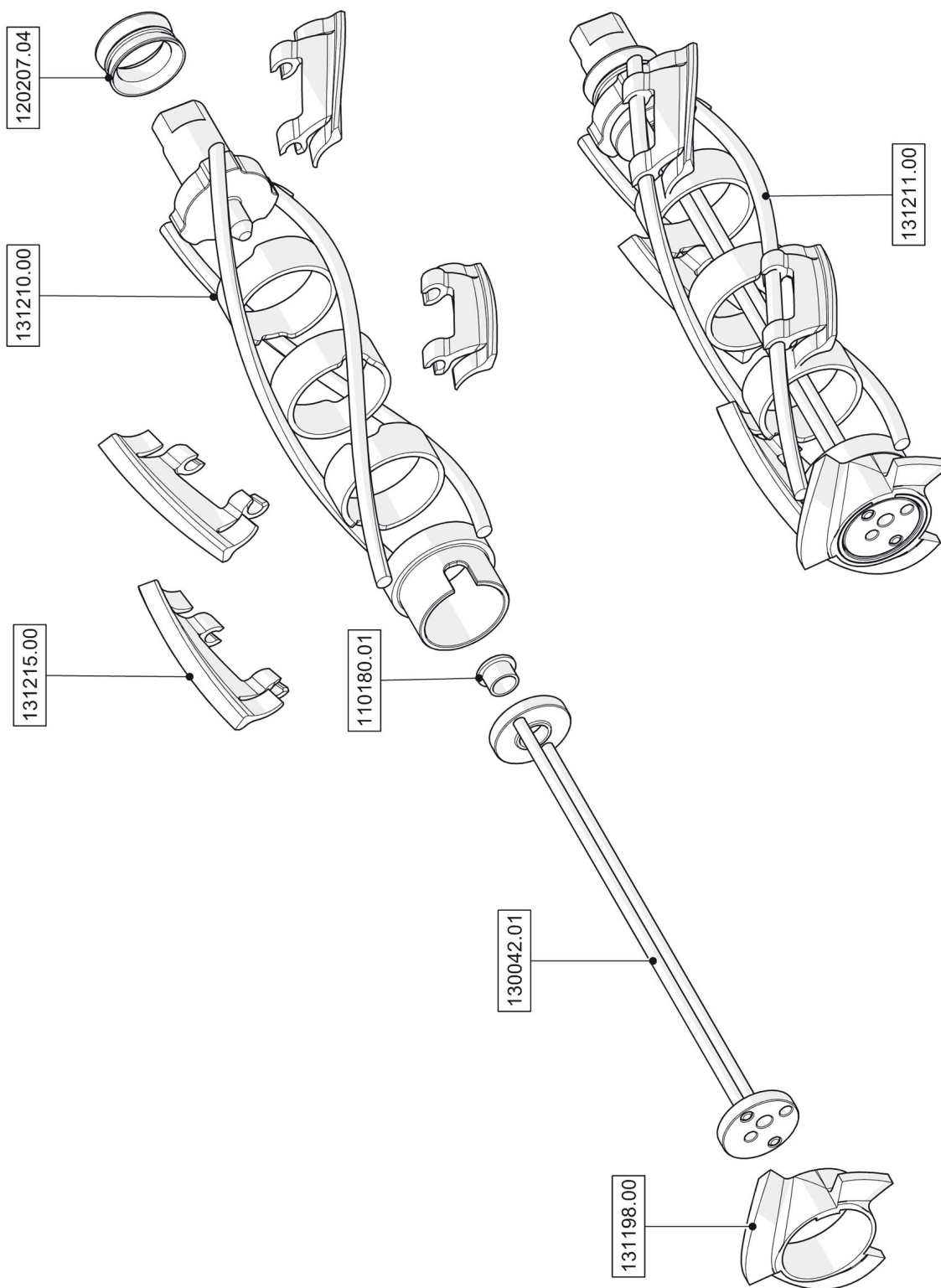


	<b>Tav. 954</b>	09/2016	<b>ALLESTIMENTO EQUIPMENT</b>	BC 261 HT acqua (accessori neri)
				BC 261 HT water (black accessories)

The system is constantly updated. Thus the data shown can be subject to changes without prior notice.

## Component list

Exploded view	Item	Description	Price	Notes
954	110033.01	FAN D=120mm 230Vac 50-60Hz		replaces 110033.00
954	110045.00	PHOTOELECTRIC CELL 10-30Vdc NPN L=130 mm		
954	110107.02	O-RING 17,86x2,62		replaces 110107.00
954	110135.00	PANEL FUSE-HOLDER		
954	110147.00	MAGNETIC SENSOR 24-230 Vac		
954	110158.00	CPU BOARD WITH TOUCH SCREEN 7		
954	110193.00	SWITCH 250Vac 16A		
954	110218.00	USB PANEL CONNECTOR		
954	110219.00	PANEL CONNECTOR RJ45		
954	110285.00	CONNECTION FOR TUBE D=10		
954	111763.00	FAN GUARD D=120mm		
954	120182.02	WATER INLET/OUTLET CONNECTIONS CONNECTOR		replaces 120182.01
954	120183.00	HUBCAP		
954	120420.01	ROD		
954	120429.00	DRIP-TRAY GRILL 234x80mm		
954	122018.02	LEFT-HAND SIDE PANEL BC2		
954	122019.03	RIGHT-HAND SIDE PANEL BC2		
954	122290.01	PANNELLO FRONTALE SUPERIORE BC-BV261		replaces 122290.00
954	122370.00	SCREW DIN 965 M6x12 ST.STEEL		
954	122371.00	SCREW DIN 965 M6x30 ST.STEEL		
954	122381.00	ANTI-CONDENSATION GASKET 254x116mm		
954	122564.01	LOWER FRONT PANEL BC2 HT		
954	122566.00	REAR PANEL BC2 HT		
954	130052.00	DRIP-TRAY 489,5x115x45mm		
954	130055.00	CONDENSATE TRAY L=260mm		
954	130056.01	NUT 1/2GAS		
954	130060.01	COPERCHIO VASCA 467x196mm		replaces 130060.00
954	130104.00	RUBBER FOOT BASE H=25mm		
954	130117.01	ROLLER WITH PLATE		
954	130122.00	RUBBER FOOT		
954	130123.00	SCREW DIN 912 M8x30		
954	131927.01	CONDUCTION LEVEL SENSOR C2		
954	131975.00	NUT D=22 3/8 GAS		
954	132107.00	C2 LEVEL SENSOR BODY		



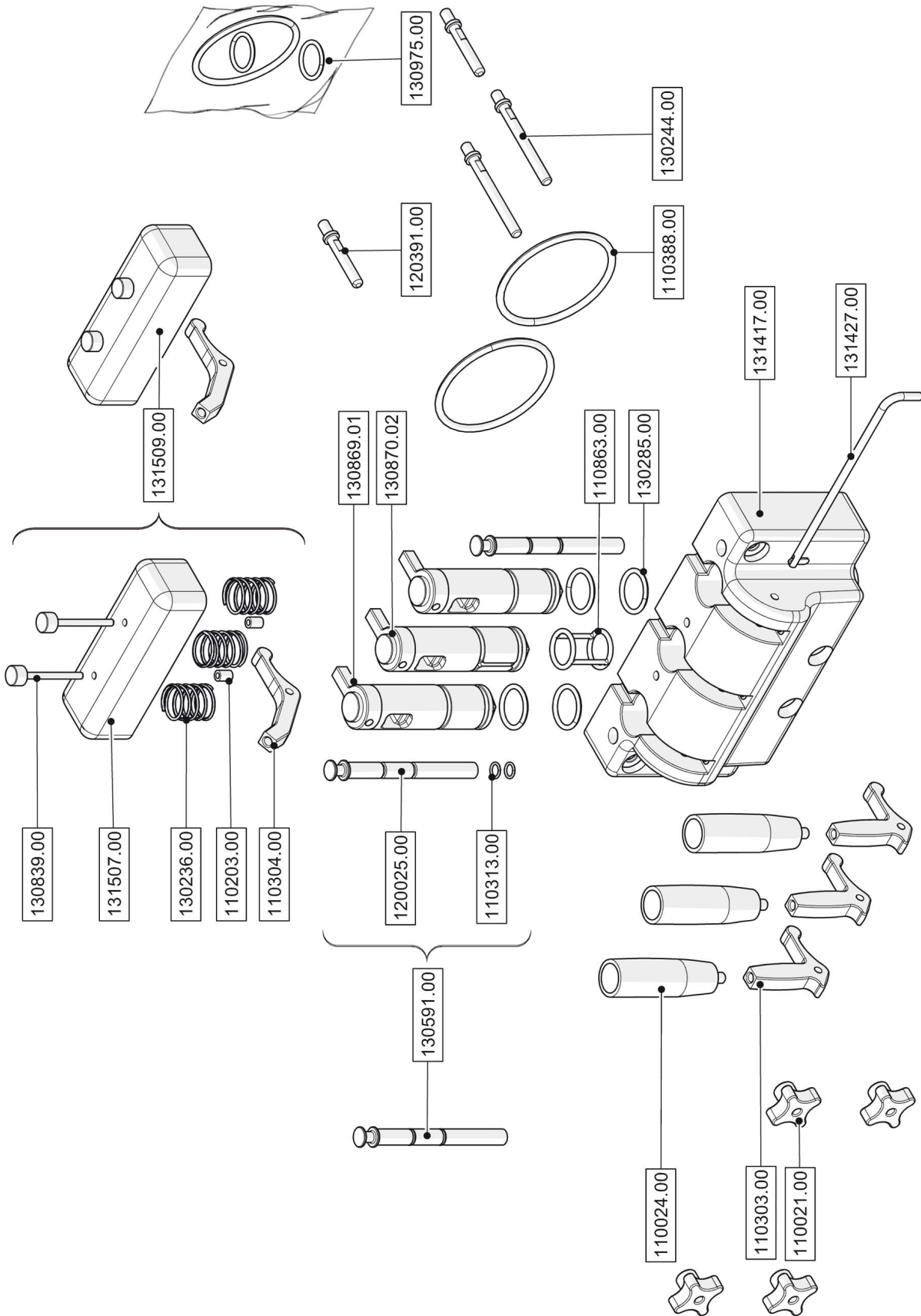
	<b>GEL MATIC</b> <b>Tav. 706</b>	11/2015	<b>AGITATORE</b> <b>BEATER</b>	SF1 - Serie B SF1 - B series
--	-------------------------------------	---------	-----------------------------------	---------------------------------


The system is constantly updated. Thus the data shown can be subject to changes without prior notice.

## Component list

Exploded view	Item	Description	Price	Notes
706	110180.02	BOCCOLA PER AGITATORE D=20 L=11,5mm		replaces 110180.01
706	120207.06	BEATER SEALING RING		replaces 120207.04
706	130042.03	BEATER IDLER LS1-B		replaces 130042.01
706	131198.04	COCLEA AGITATORE SF1 SERIE S-B		replaces 131198.00
706	131210.02	CORPO AGITATORE SF2-B		replaces 131210.00
706	131211.03	AGITATORE SF2-B		replaces 131211.00
706	131215.03	BEATER BLADE SF1-B		replaces 131215.00



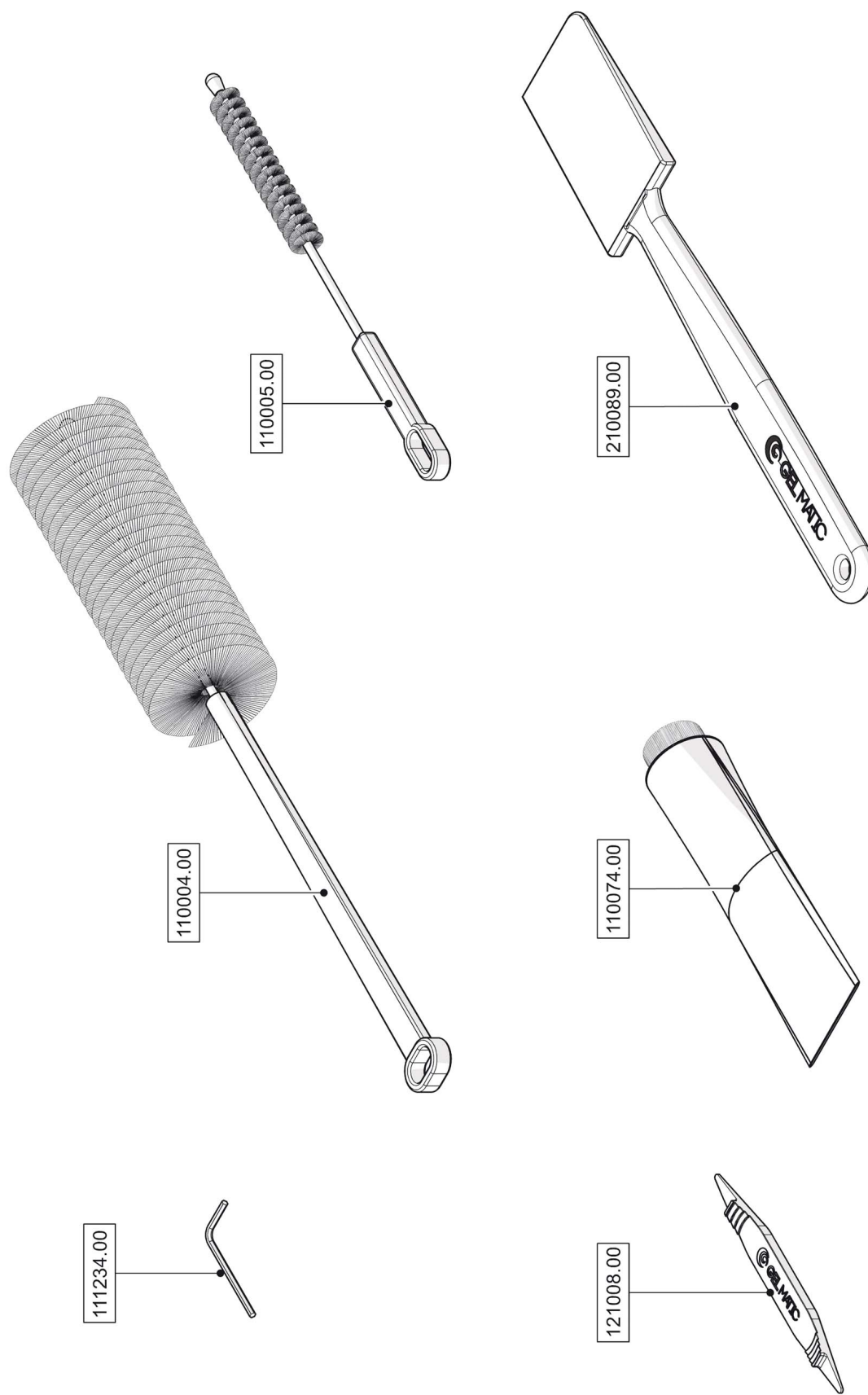


	<b>Tav. 667</b>	06/2015	<b>GRUPPO EROGAZIONE DISPENSING DOOR</b>	B2 HTP, design standard, colore nero, leve standard, 3 pistoni B2 HTP, standard design, black colour, standard levers, three pistons
---	-----------------	---------	--	---

The system is constantly updated. Thus the data shown can be subject to changes without prior notice.

## Component list

Exploded view	Item	Description	Price	Notes
667	110021.00	FASTENING KNOB M8		
667	110024.00	BLACK HANDLE		
667	110203.00	THREADED BUSHING M8 H=11mm		
667	110303.00	DISPENSING LEVER		
667	110304.00	DISPENSING LEVER		
667	110313.00	O-RING 108		
667	110388.00	O-RING 6337		
667	110863.00	RED CAGE O-RING		
667	120025.00	AIR VENT VALVE L=130,5mm		
667	120391.00	DISPENSING UNIT TIE ROD		
667	114132.00	MOLLA DI COMPRESSIONE 2,2x21,8x59,1		replaces 130236.00
667	130244.00	DISPENSING UNIT TIE ROD		
667	130285.00	O-RING		
667	130591.00	AIR VENT VALVE L=130mm		
667	130839.00	ROD		
667	130869.02	PISTONE MAGN. LATERALE NERO L=131,6mm		replaces 130869.01
667	130870.03	PISTONE MAGN. CENTRALE NERO L=131,6mm		replaces 130870.02
667	130975.00	DISPENSING UNIT GASKETS KIT 3L B		
667	131417.01	DISPENSING UNIT BODY B2 ST PM N 3L		replaces 131417.00
667	131427.00	LEVER FASTENING PIN		
667	131507.00	SELF CLOSING SET COVER - PC BLACK B2 HT		
667	131509.00	SELF CLOSING COVER - BLACK B2 HT 3L		

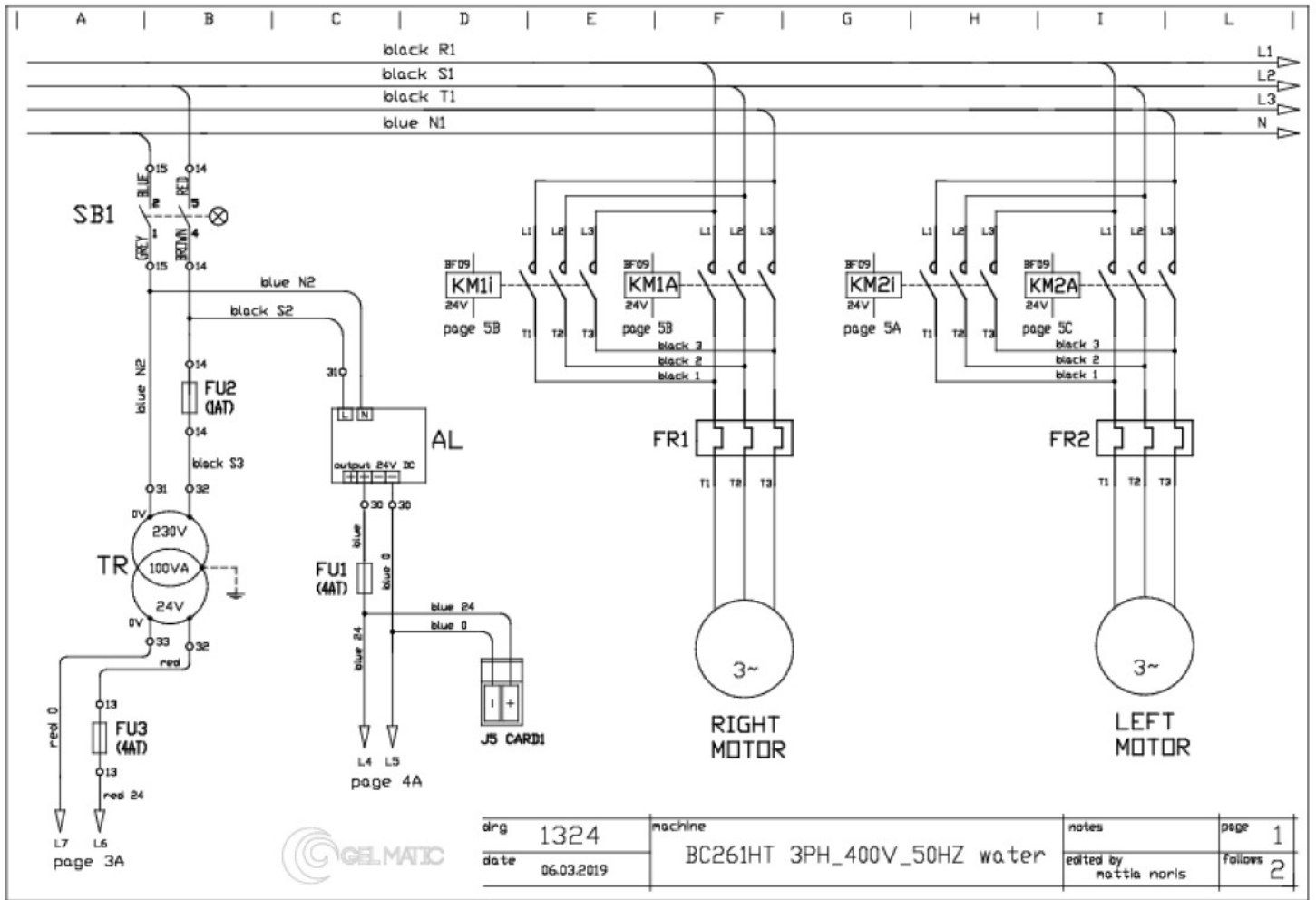


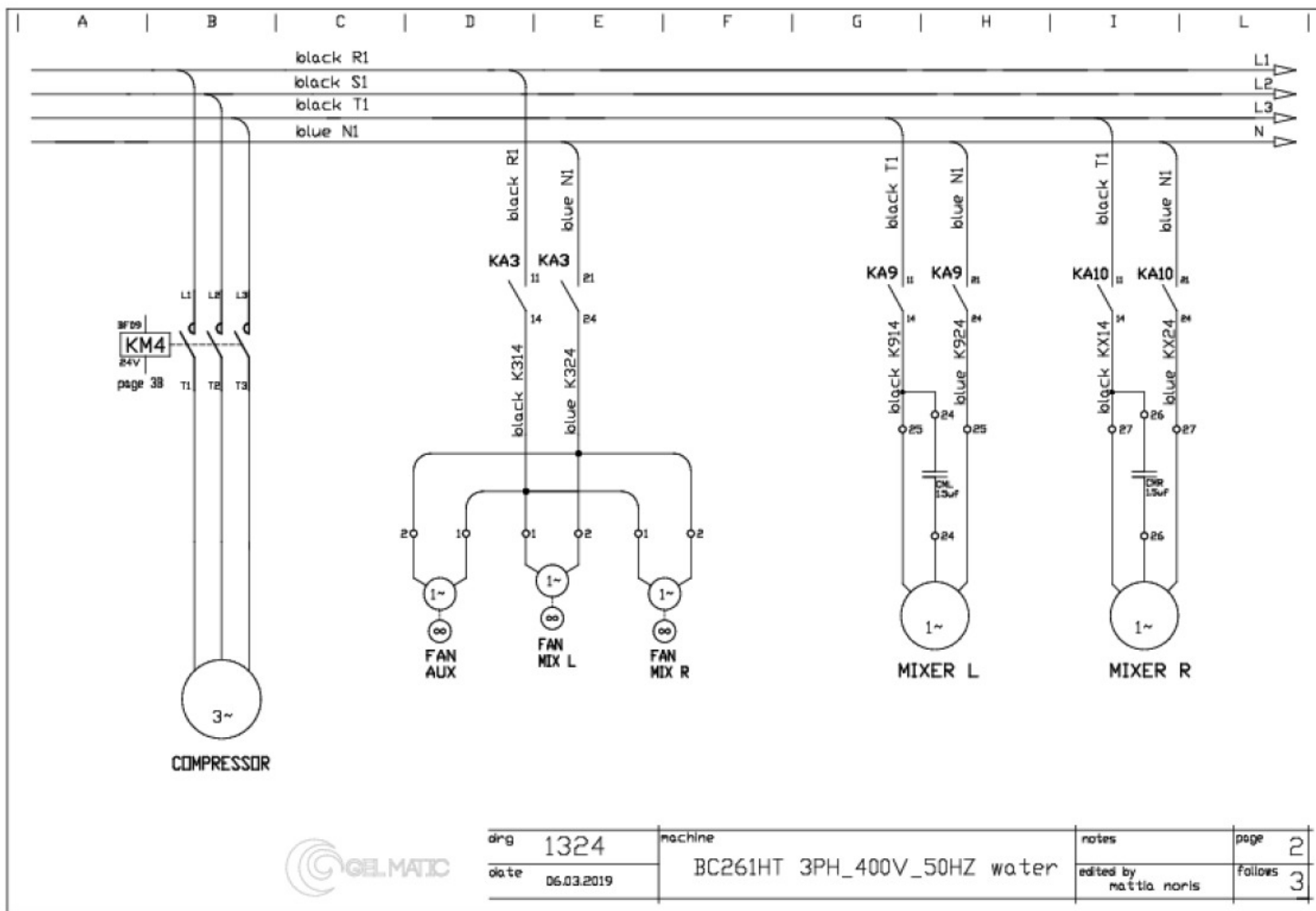
<b>GEL MATIC</b>	<b>Tav. 978</b>	09/2016	<b>ACCESSORI ACCESSORIES</b>	Strumenti per manutenzione ordinaria Ordinary maintenance equipment
------------------	-----------------	---------	----------------------------------	--

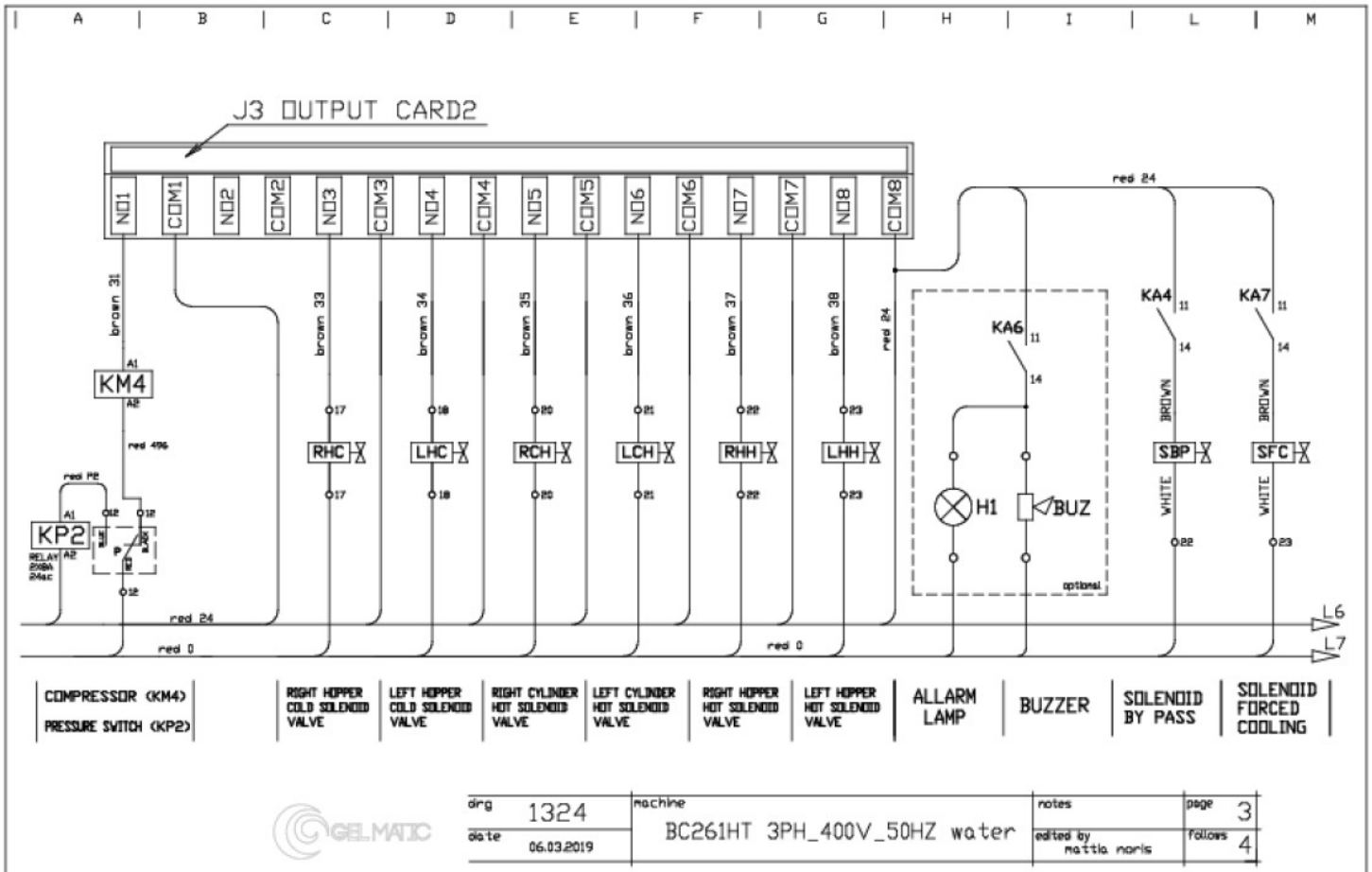
The system is constantly updated. Thus the data shown can be subject to changes without prior notice.

## Component list

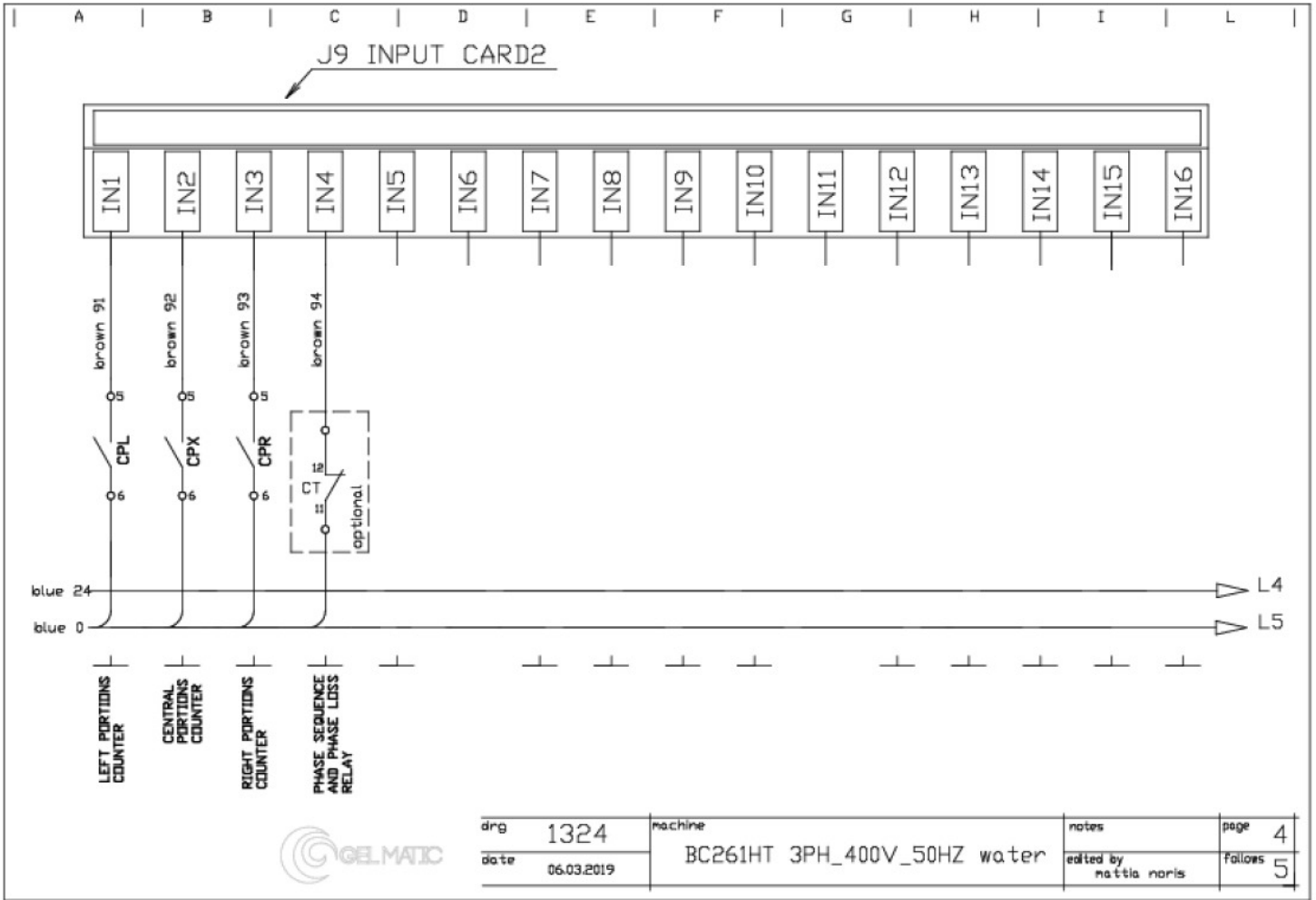
Exploded view	Item	Description	Price	Notes
978	110004.01	CLEANING BRUSH L=160mm		replaces 110004.00
978	110005.00	CLEANING BRUSH L=100mm		
978	110074.00	LUBRICANT TUBE		
978	111234.00	ALLEN KEY 2,5mm		
978	121008.00	O-RING REMOVER		
978	210089.00	WHITE SPATULA WITH LOGO		

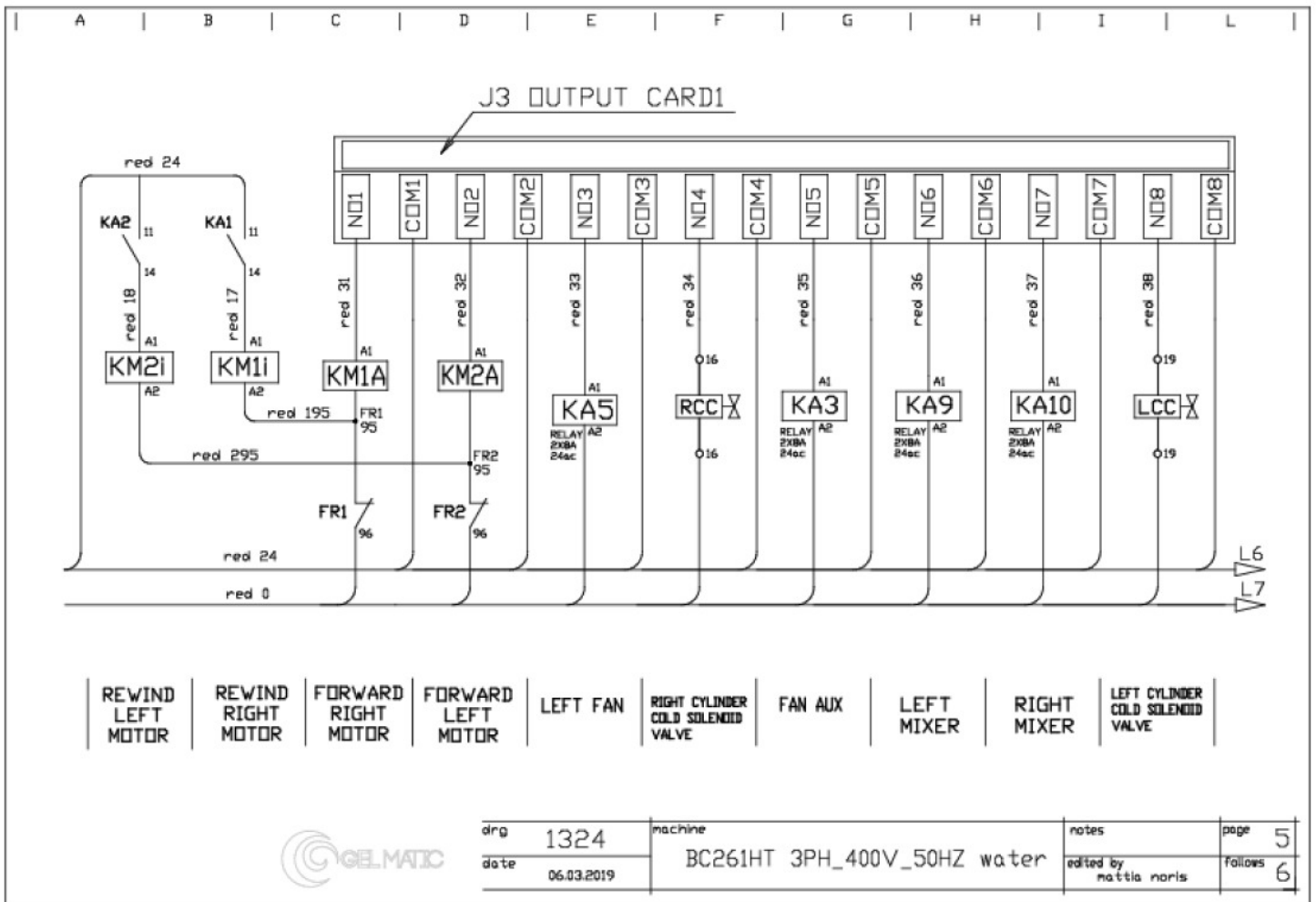


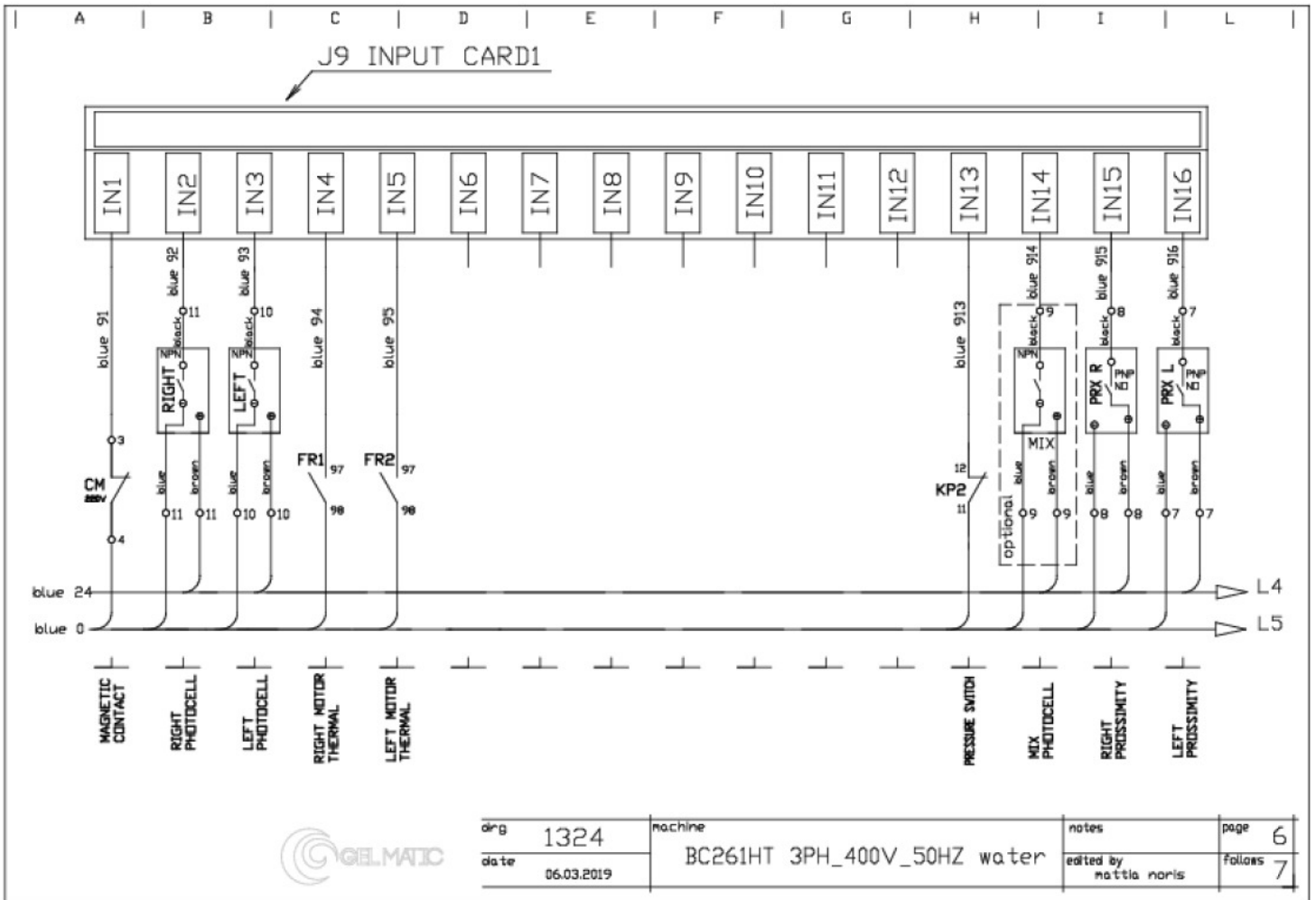


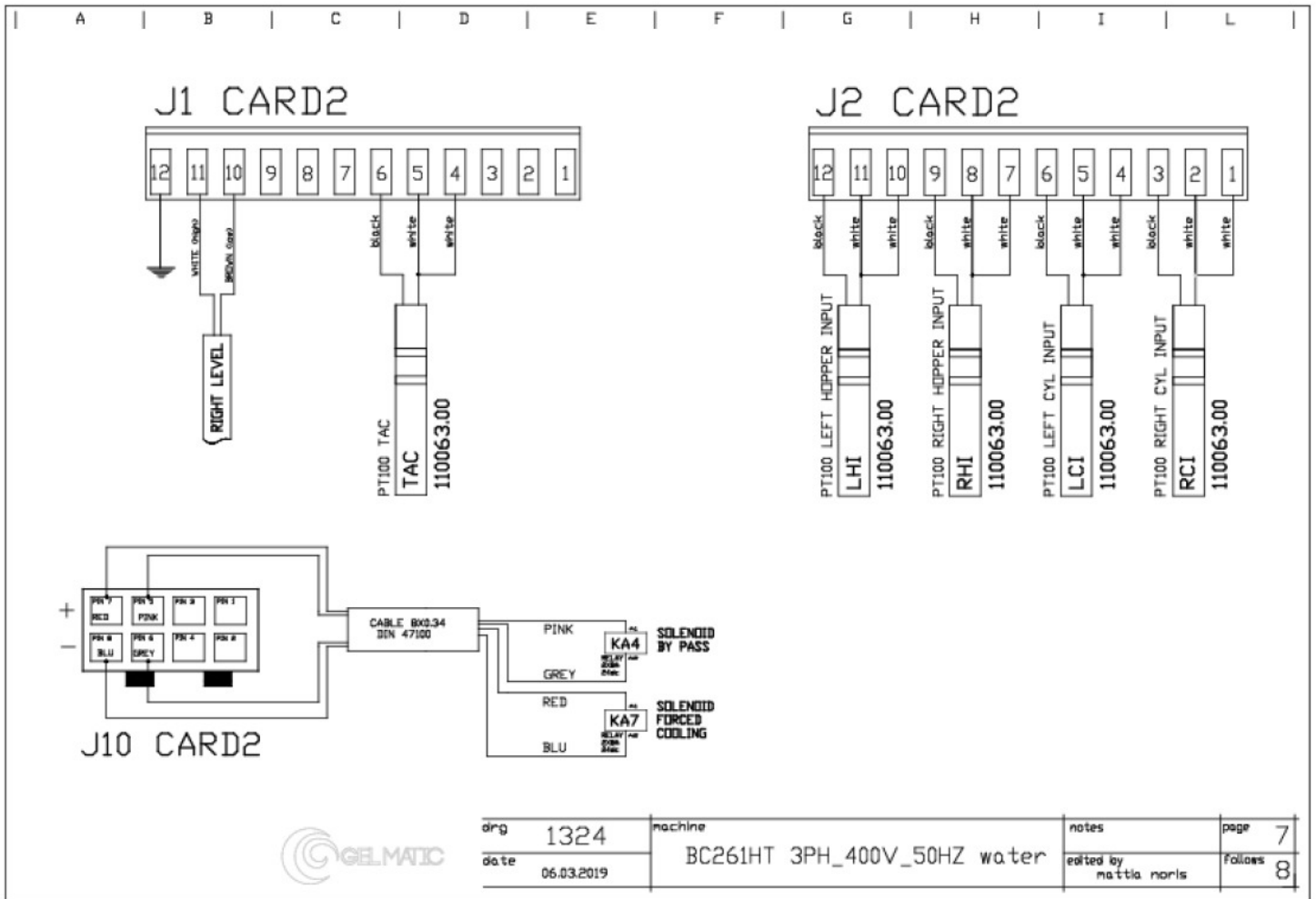


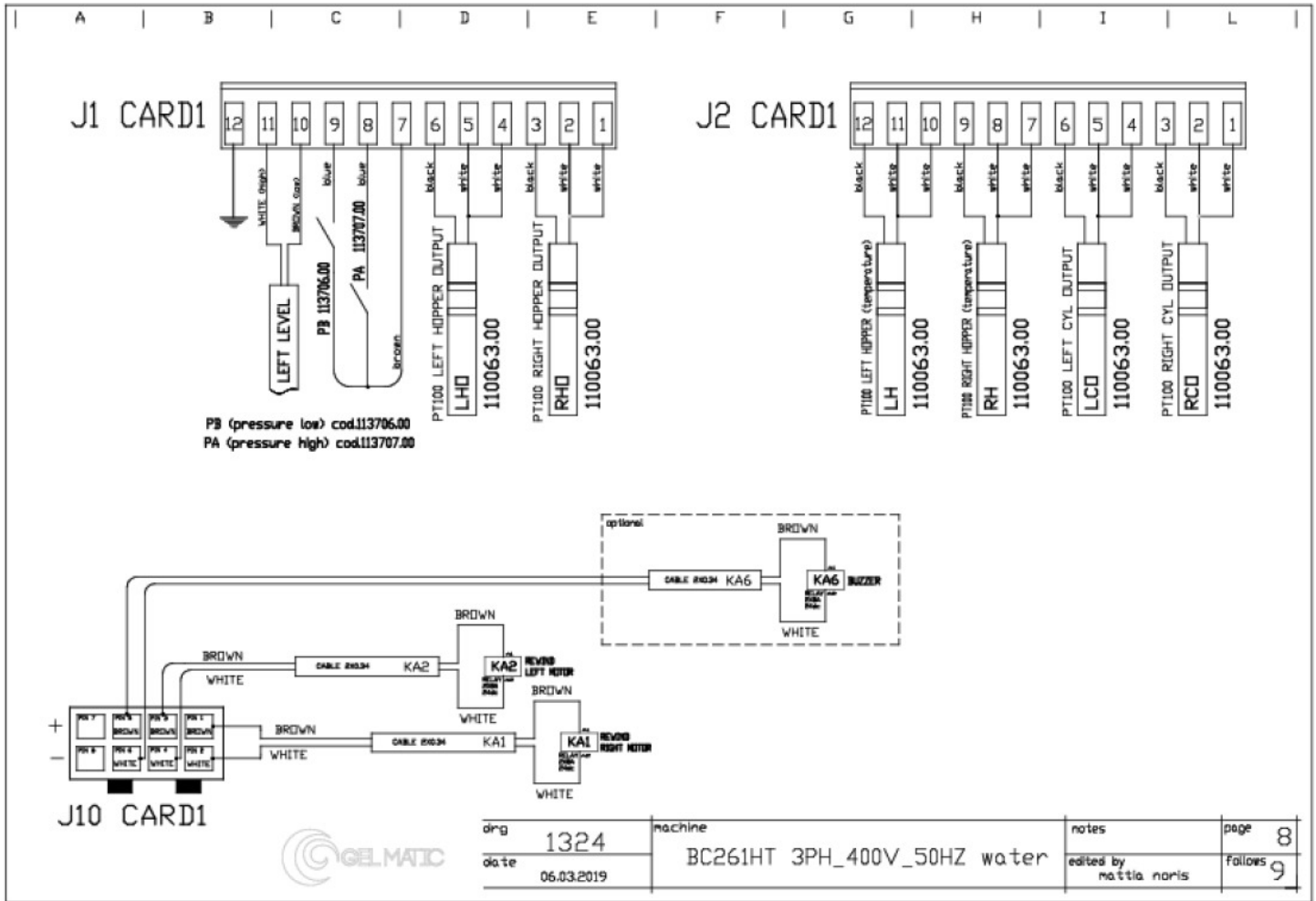


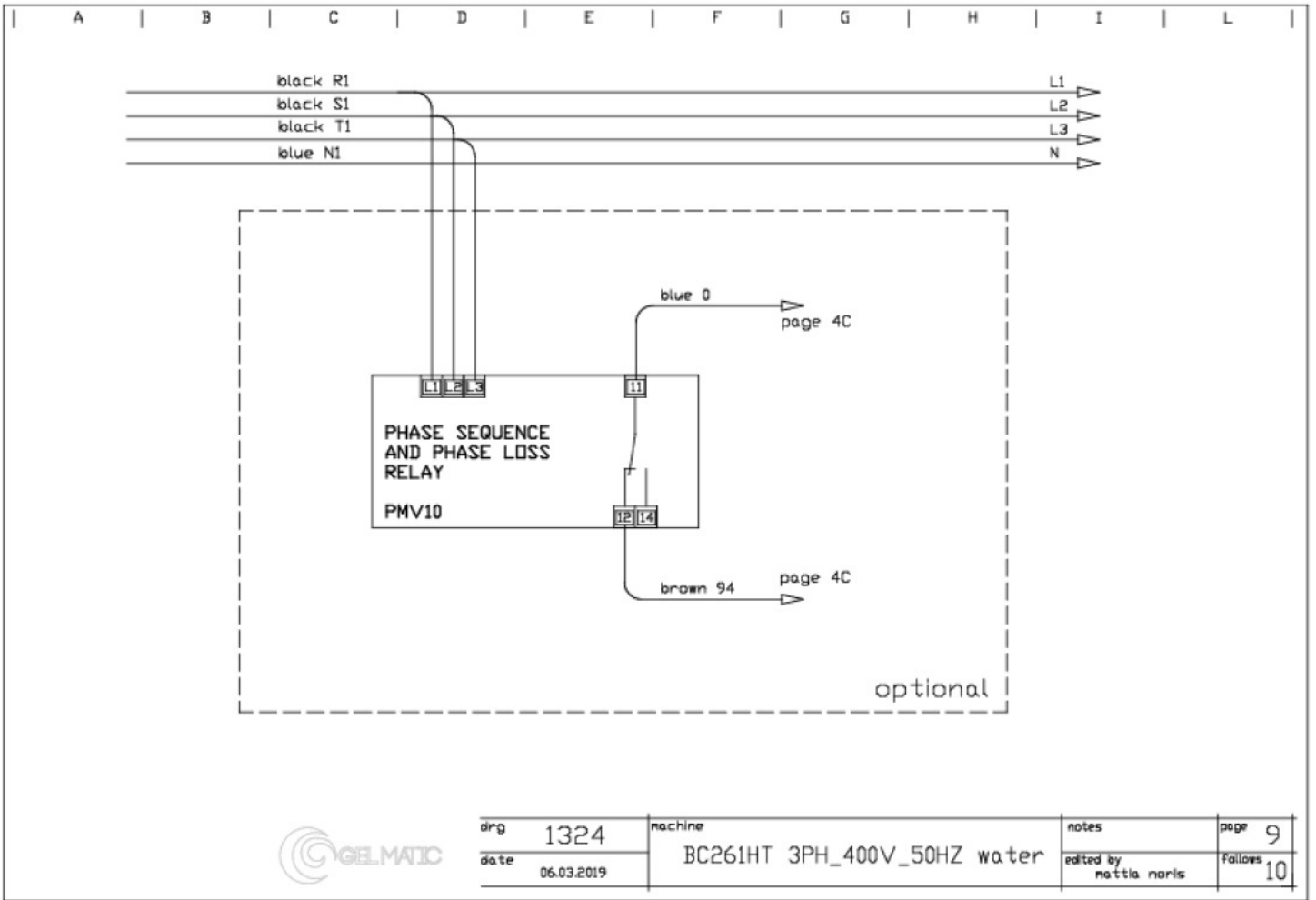


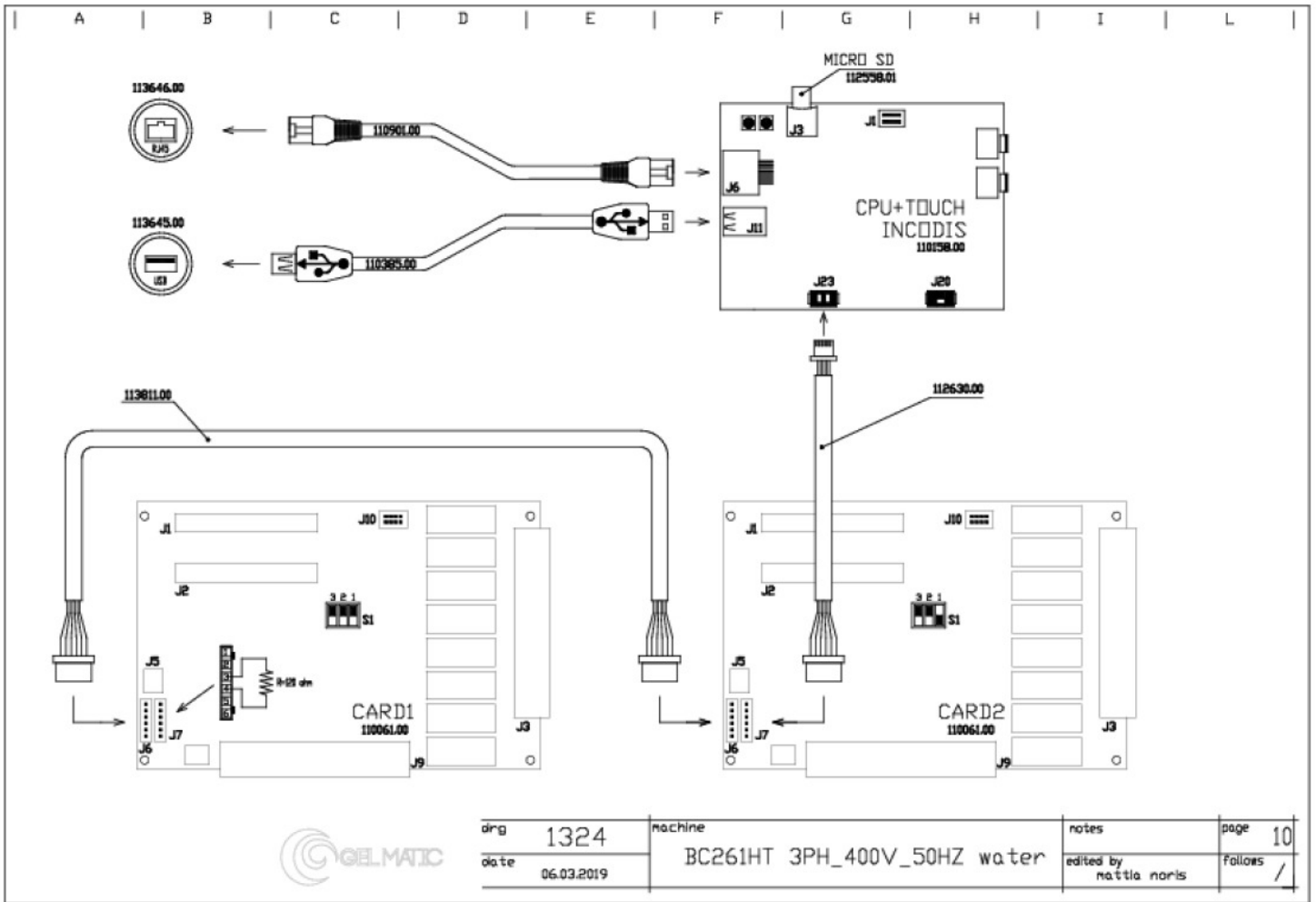














## Component list

List - L1038	Item	Description	Price	Notes
L1038	110001.00	MAGNETIC SENSOR 24-150 Vac		
L1038	110033.01	FAN D=120mm 230Vac 50-60Hz		
L1038	110042.00	DANFOSS COIL 24Vac 50-60Hz		
L1038	110045.00	PHOTOELECTRIC CELL 10-30Vdc NPN L=130 mm		
L1038	110047.01	INDUCTIVE SENSOR M12 PNP-NO L=4mm		
L1038	110048.02	CONNETTORE M12 4PIN L=2m		replaces 110048.01
L1038	110061.00	INCODIS I/O BOARD		
L1038	110063.00	PT100 TEMPERATURE PROBE		
L1038	110131.00	THERMAL RELAY 1,6:2,5A RF38		
L1038	110135.00	PANEL FUSE-HOLDER		
L1038	110136.00	TRIPOLAR CONTACTOR 9A 24Vac 50/60Hz		
L1038	110144.00	2-CONTACT RELAY 24Vac 8A WITH BASE		
L1038	110145.00	2-CONTACT RELAY 24Vdc 8A WITH BASE		
L1038	110147.00	MAGNETIC SENSOR 24-230 Vac		
L1038	110158.00	CPU BOARD WITH TOUCH SCREEN 7		
L1038	110193.00	SWITCH 250Vac 16A		
L1038	110295.01	CONNETTORE PER BOBINA		
L1038	110338.00	FUSE 1A T 5x20		
L1038	110339.00	FUSE 4A T 5x20		
L1038	110385.00	DATA CABLE USB		
L1038	110636.01	POWER CORD		
L1038	110874.00	2-CONTACT RELAY 24Vac 8A		
L1038	110901.00	ETHERNET DATA CABLE		
L1038	111481.00	2-CONTACT RELAY 24Vdc 8A		
L1038	111628.00	TRANSFORMER 1Ph 100VA 220-230V 0-24V		
L1038	112558.01	MICRO SD CARD		
L1038	112630.00	DATA CABLE Ref. No. 9015		
L1038	113645.00	USB PANEL CONNECTOR		
L1038	113646.00	PANEL CONNECTOR RJ45		
L1038	113706.00	PRESSURE TRANSMITTERS		
L1038	113707.00	PRESSURE TRANSMITTERS		
L1038	114111.00	ALIMENTATORE 24Vdc 1,5A/36W		
L1038	130703.00	CAPACITOR 1,5ÅµF		