

Exploded views booklet

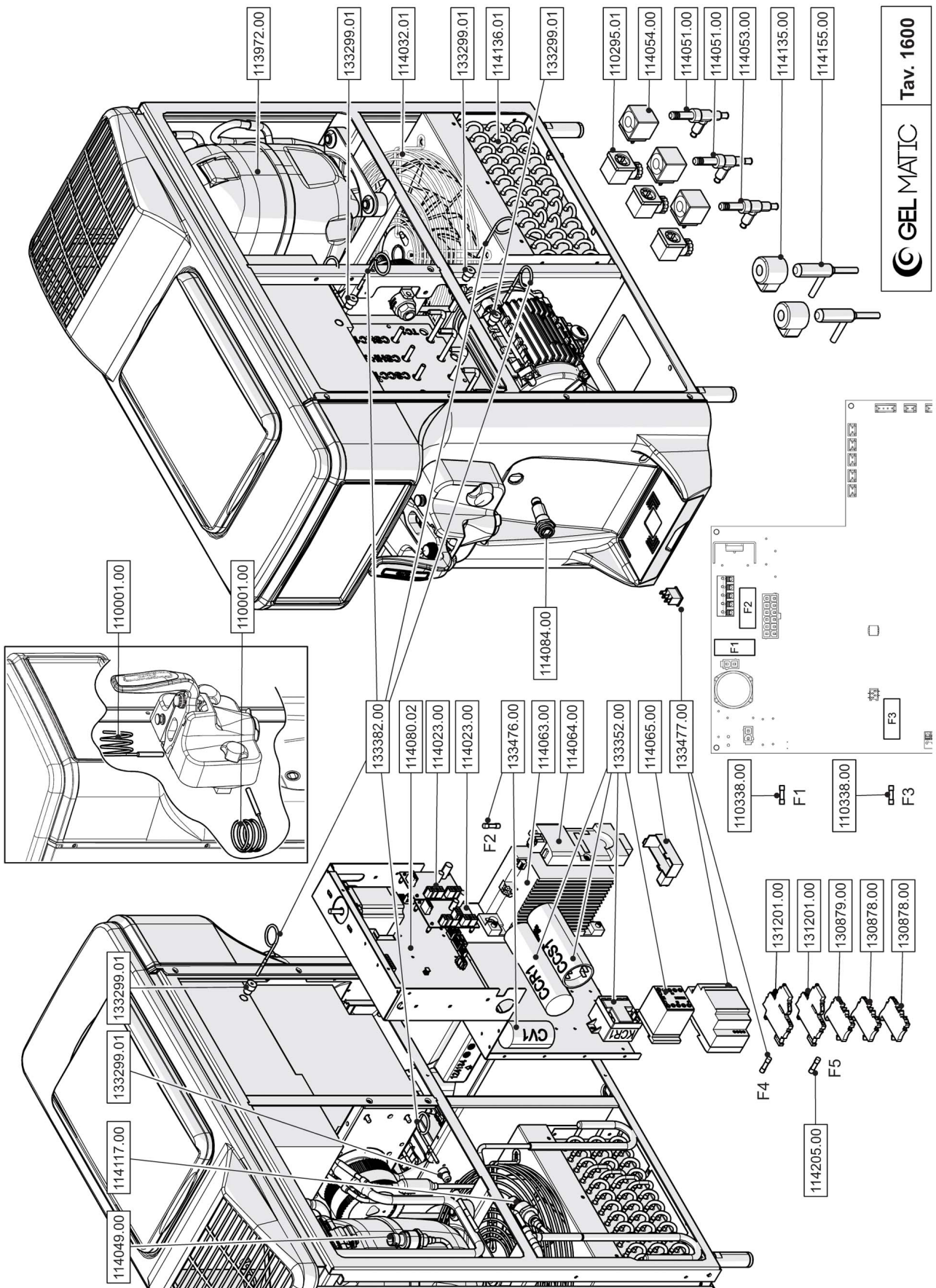
Serial Number: 4M4XL

Model: GIOTTO 11 GR - 1Ph-220/240V-50Hz - Air

Year of manufacture: 04-2021

Index

Exploded view 1600	2
Exploded view 1601	4
Exploded view 1602	6
Exploded view 1608	8
Exploded view 1607	10

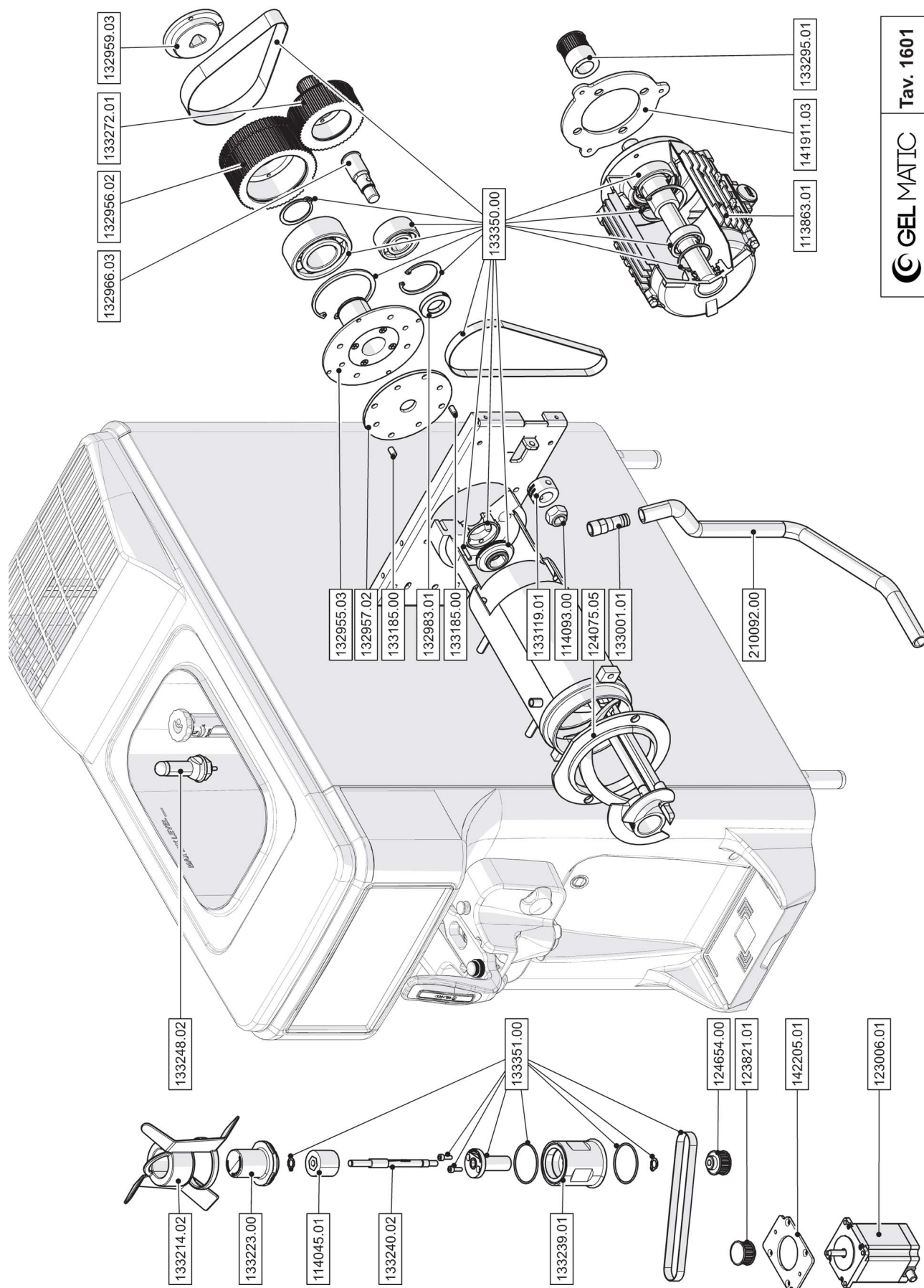


GEL MATIC Tav. 1600

The system is constantly updated. Thus the data shown can be subject to changes without prior notice.

Component list

Exploded view	Item	Description	Price	Notes
1600	110001.00	MAGNETIC SENSOR 24-150 Vac		
1600	110295.01	CONNETTORE PER BOBINA		
1600	110338.00	FUSE 1A T 5x20		
1600	113972.00	COMPRESSOR CAJ2464Z-FZ 1Ph-220/240-50Hz		
1600	114023.00	EIM 336 DANFOSS 080G1002		
1600	114032.01	MOTOVENTILATORE 2E 250		
1600	114049.00	TRASDUTTORE DI BASSA PRESSIONE 075G4002		
1600	114051.00	VALVOLA SOLENOIDE DANFOSS EVUL3 032F9517		
1600	114053.00	VALVOLA SOLENOIDE 6mm EVUL1 032F9508		
1600	114054.00	BOBINA 220V 50-60Hz DANFOSS 042N4201		
1600	114063.00	POWER UNIT 240V - 0,37 Kw		
1600	114064.00	UNITA' LOGISTICA MODBUS		
1600	114065.00	MODULO STO		
1600	114080.03	INCODIS I/O SK6717/1		replaces 114080.02
1600	114084.00	FOTOCELLULA		
1600	114117.00	TRASDUTTORE DI ALTA PRESSIONE 075G4006		
1600	114135.00	BOBINA PER VALVOLA ETS6 034G5110		
1600	114136.02	CONDENSATORE 13T-6R-PACCO220-PA=2,1		replaces 114136.01
1600	114155.00	VALVOLA DI ESPANSIONE ETS6-10 034G5000		
1600	114205.00	FUSIBILE 15A 5x20		
1600	130878.00	SINGLE TERMINAL		
1600	130879.00	MORSETTO SINGOLO PER GND		
1600	131201.00	TERMINAL WITH FUSE-HOLDER		
1600	133299.01	TAPPO SONDA		
1600	133352.00	COMPRESSOR OVERHAUL KIT		
1600	133382.00	PROBES OVERHAUL KIT		
1600	133476.00	FAN OVERHAUL KIT		
1600	133477.00	POWER SUPPLY OVERHAUL KIT		

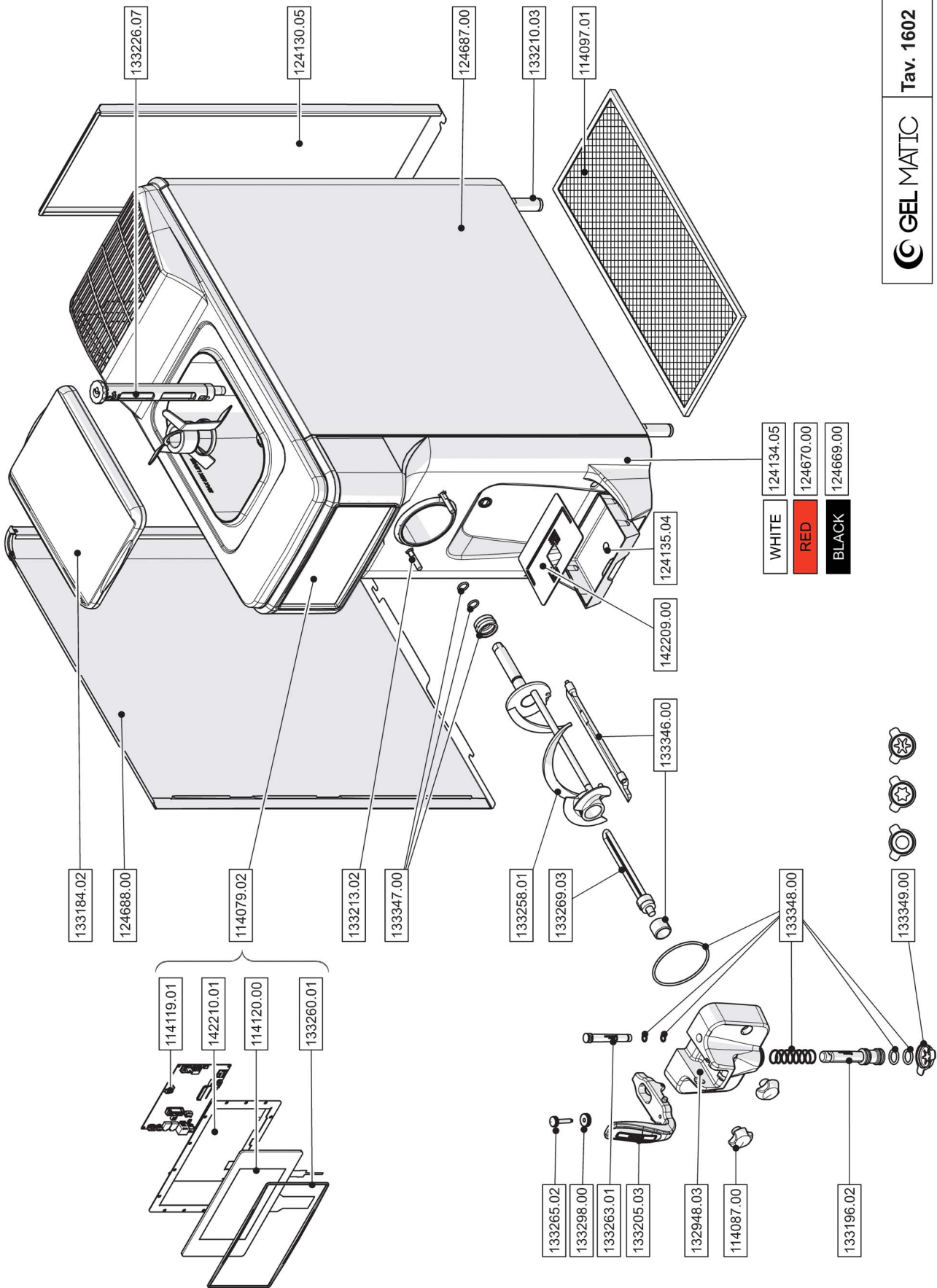


GEL MATIC
 Tav. 1601

The system is constantly updated. Thus the data shown can be subject to changes without prior notice.

Component list

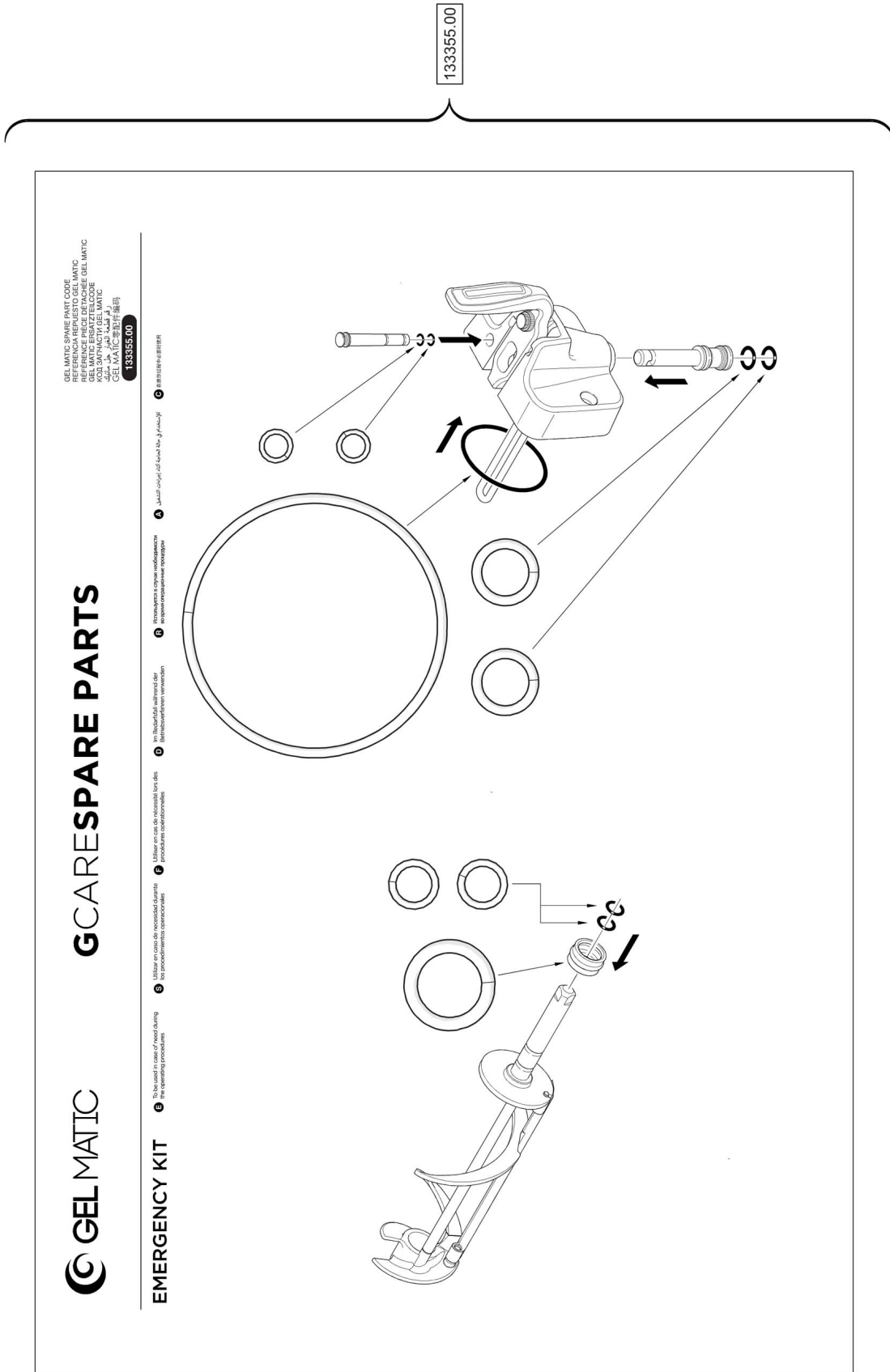
Exploded view	Item	Description	Price	Notes
1601	113863.01	MOTORE 0,55KW 230V		
1601	114045.01	MAGNETE ROTORE		
1601	114093.00	DADO AUTOBLOCCANTE M14 ZINCATO		
1601	123006.01	ACTUATOR STEPPING MOTOR		
1601	123821.01	MIXER PULLEY 10XL037		
1601	124075.05	DISTANZIALE ANTICONDENSA D=140 L=12mm		
1601	124654.00	PULEGGIA MOTRICE AGITATORE 15xL037 - 2F		
1601	132955.03	FLANGIA ASSEMBLATA D=120 L=59mm		
1601	132956.02	PULEGGIA Z=60		
1601	132957.02	DISTANZIALE D=104,8 L=4mm		
1601	132959.03	DISCO DI TRAINO D=70 L=13,8mm		
1601	132966.03	ALBERO L=56mm D=23mm		
1601	132983.01	DISTANZIALE D=30 L=5,5mm		
1601	133001.01	RACCORDO D=14 L=50mm		
1601	133119.01	BOCCOLA D=22 L=15mm		
1601	133185.00	SPINA CILINDRICA DI PRESSIONE L=12 D=6mm		
1601	133214.02	MIXER IMPELLER		
1601	133223.00	TAPPO D=49 L=48,5mm		
1601	133239.01	CORPO D=54 L=59,5mm		
1601	133240.02	ALBERO D=10 L=116,5mm		
1601	133248.02	SENSORE DI LIVELLO		
1601	133272.01	PULEGGIA Z=49 e Z=16		
1601	133295.01	PULEGGIA Z=20 L=40mm		
1601	133350.00	MECHANICAL TRANSMISSION OVERHAUL KIT		
1601	133351.00	MIXER TRANSMISSION OVERHAUL KIT		
1601	141911.03	PIASTRA DI SUPPORTO MOTORE		
1601	142205.01	PIASTRA FISSAGGIO MOTORE MIXER		
1601	210092.00	TUBO RETINATO 13X19		



The system is constantly updated. Thus the data shown can be subject to changes without prior notice.

Component list

Exploded view	Item	Description	Price	Notes
1602	114079.03	ASSIEME LCD 7"		replaces 114079.02
1602	114087.00	POMOLO D=40 M8 L=27		
1602	114097.01	FILTRO METALLICO 220x500x9mm		
1602	114119.01	SCHEMA CPU		
1602	114120.00	TOUCH SCREEN		
1602	124130.07	PANNELLO RETRO GIOTTO 11		replaces 124130.05
1602	124134.05	FRONT PANEL GIOTTO - WHITE		
1602	124135.04	VASCHETTA RACCOGLI GOCCE G11		
1602	124669.00	FRONT PANEL GIOTTO - BLACK		
1602	124670.00	FRONT PANEL GIOTTO - RED		
1602	124687.00	PANNELLO LATERALE DX GIOTTO 11 MONTATO		
1602	124688.00	PANNELLO LATERALE SX GIOTTO 11 MONTATO		
1602	132948.04	DISPENSING UNIT BODY GIOTTO11		replaces 132948.03
1602	133184.02	COPERCHIO SUPERIORE 214x22x316,7mm		
1602	133196.02	PISTONE COMPLETO D=24,7 L=110,5mm		
1602	133205.03	LEVA PER EROGAZIONE G11		
1602	133210.03	PIEDINO ASSEMBLATO GIOTTO 11		
1602	133213.02	TIRANTE CON BATTUTA L=60mm		
1602	133226.07	FEED TUBE		
1602	133258.01	AGITATORE D=80 L=366,4mm		
1602	133260.01	GUARNIZIONE TOUCH SCREEN		
1602	133263.01	PERNO X SFIATO FLANGIA L=84 D=15mm		
1602	133265.02	VITE REGOLAZIONE LEVA EROGATORE G11		
1602	133269.03	CONTROROTANTE CON TONDO		
1602	133298.00	DADO D=20 L=6mm		
1602	133346.00	SCRAPER BLADE/BUSHING REPLACEMENT KIT		
1602	133347.00	BEATER SEAL REPLACEMENT KIT		
1602	133348.00	DISPENSING DOOR SEALS REPLACEMENT KIT		
1602	133349.00	DISP. DOOR SHAPED NOZZLE REPLACEMENT KIT		
1602	142209.01	GRIGLIA RACCOGLI GOCCE G11		replaces 142209.00
1602	142210.02	PIASTRA TOUCHSCREEN		replaces 142210.01



GEL MATIC SPARE PART CODE
 REFERENCIA REPUESTO GEL MATIC
 REFERENCE PIECE DETACHEE GEL MATIC
 КОД ЗАПЧАСТИ ГЕЛ МАТИК
 GEL MATIC 零件碼

133355.00

GEL MATIC GCARESPARE PARTS

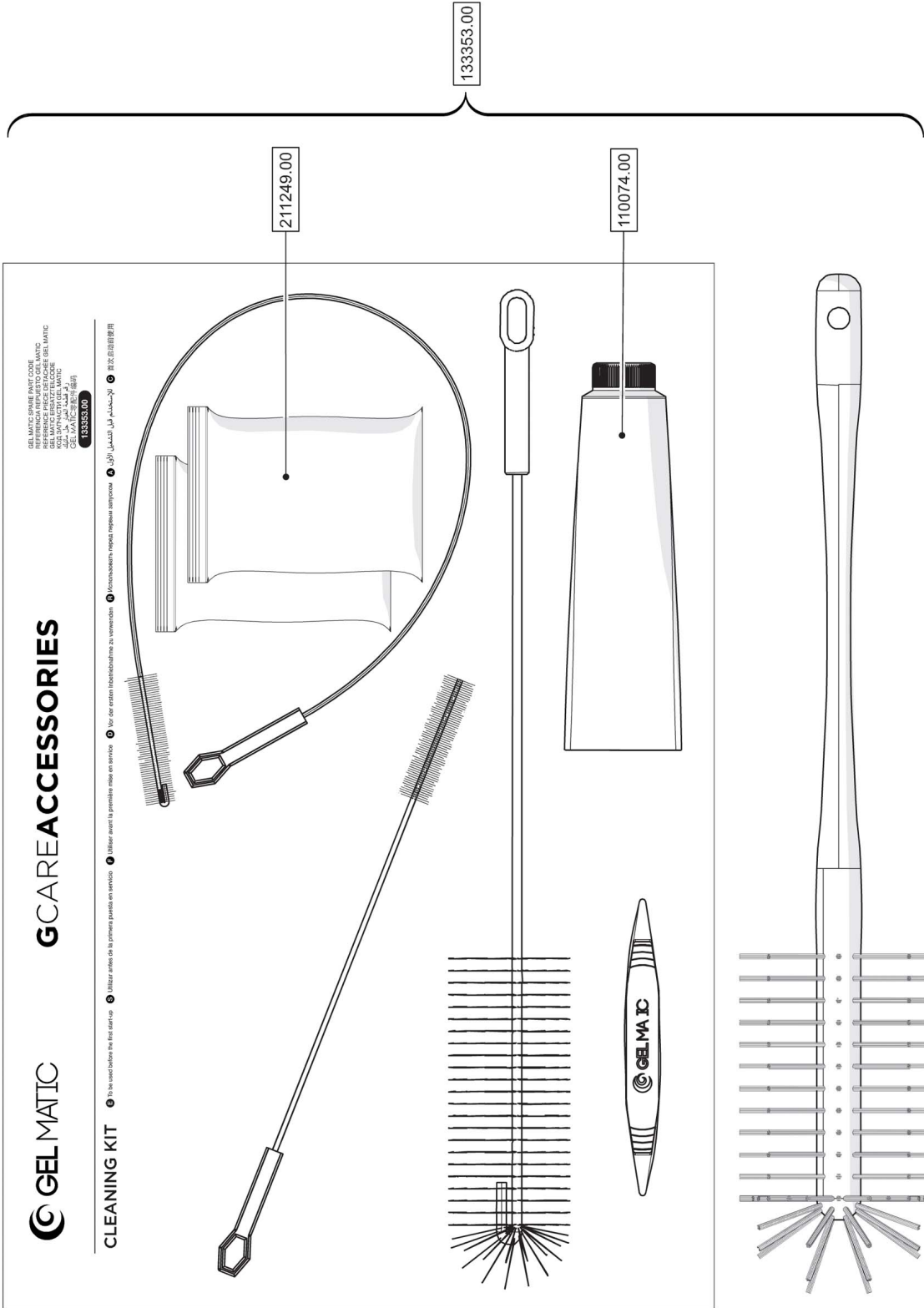
EMERGENCY KIT

- To be used in case of need during the operating procedures
- Utilizar en caso de necesidad durante los procedimientos operacionales
- In Buchstaben während der Betriebsverfahren verwenden
- 在操作过程中如有需要时使用
- 在操作过程中如有需要时使用

The system is constantly updated. Thus the data shown can be subject to changes without prior notice.

Component list

Exploded view	Item	Description	Price	Notes
1608	133355.00	EMERGENCY KIT		



GEL MATIC **GCAREACCESSORIES**

GEL MATIC SPARE PART CODE
 REFERENCE PRICE LIST FOR GEL MATIC
 GEL MATIC REFERENCE PRICE LIST
 GEL MATIC REFERENCE PRICE LIST
 GEL MATIC REFERENCE PRICE LIST

133353.00

CLEANING KIT • To be used before the first start-up • Utilizar antes de la primera puesta en servicio • Utilizar avant la première mise en service • For use before the first start-up • For use before the first start-up • For use before the first start-up

211249.00

110074.00

133353.00

GEL MATIC Tav. 1607

The system is constantly updated. Thus the data shown can be subject to changes without prior notice.

Component list

Exploded view	Item	Description	Price	Notes
1607	110074.00	LUBRICANT TUBE		
1607	133353.00	CLEANING KIT		
1607	211249.00	SANITIZZANTE STERA SHEEN		