
Exploded views booklet

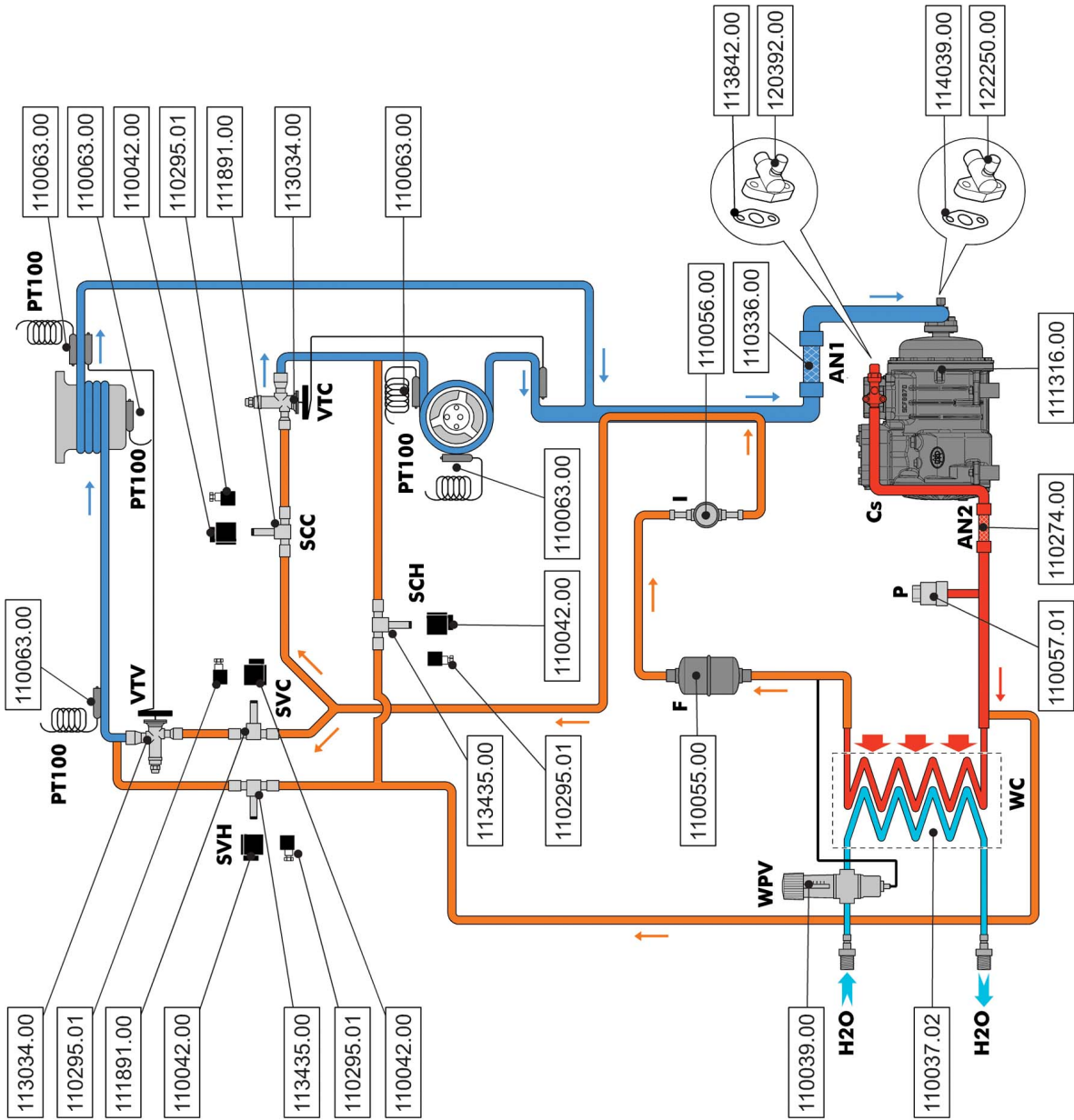
Serial Number: TUEMU

Model: HC 153 HTP - 3Ph-380/415V-50Hz - Water

Year of manufacture: 02-2021

Index

Exploded view 1740	2
Exploded view 637	4
Exploded view 357	6
Exploded view 851	8
Exploded view 1040	10
Exploded view 967	12
Exploded view 720	14
Exploded view 648	16
Exploded view 978	18
Wiring diagram	20
Component list L1302	25



CIRCUITO FRIGORIFERO
REFRIGERATING SYSTEM

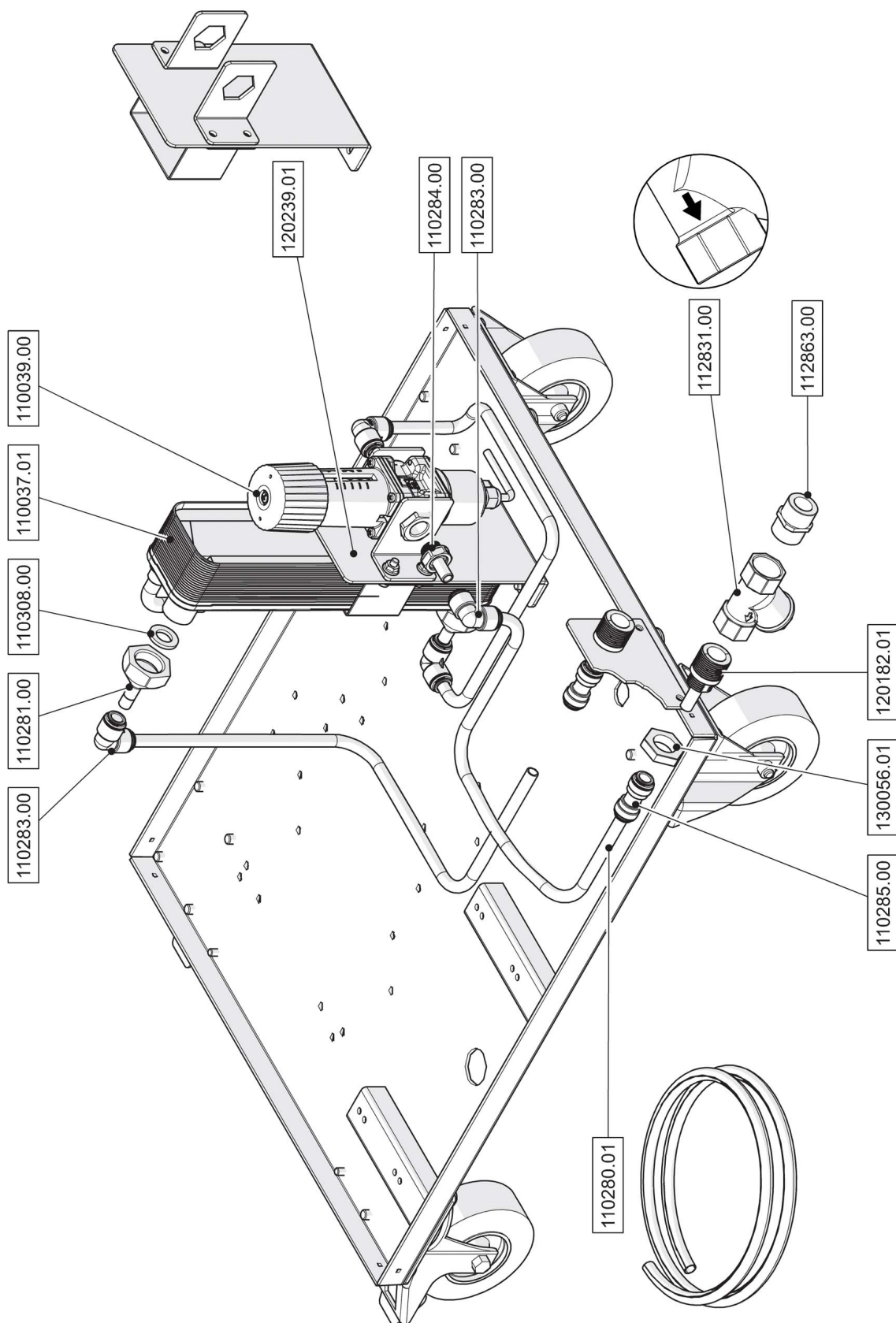
04/2021

Tav. 1740

The system is constantly updated. Thus the data shown can be subject to changes without prior notice.

Component list

Exploded view	Item	Description	Price	Notes
1740	110037.02	HEAT EXCHANGER		
1740	110039.00	PRESSURE CONTROLLED WATER VALVE		
1740	110042.00	DANFOSS COIL 24Vac 50-60Hz		
1740	110055.00	FILTER DRYER 250cc		
1740	110056.00	DANFOSS MOISTURE INDICATOR 1/4		
1740	110057.01	PRESSURE SWITCH		
1740	110063.00	PT100 TEMPERATURE PROBE		
1740	110274.00	ANTI-VIBRATION DAMPER D=12mm		
1740	110295.01	CONNETTORE PER BOBINA		
1740	110336.00	ANTI-VIBRATION DAMPER D=18mm		
1740	111316.00	DORIN COMPRESSOR H281CC 3Ph 50Hz		
1740	111891.00	DANFOSS SOLENOID VALVE		
1740	113034.00	TS2 VALVE MOP50 WITH OREFICE 03		
1740	113435.00	DANFOSS SOLENOID VALVE		
1740	113842.00	GUARNIZIONE PER RUBINETTO DIAM.12-16		
1740	114039.00	GUARNIZIONE PER RUBINETTO DIAM.18		
1740	120392.00	ANGLE COCK D=12		
1740	122250.00	ANGLE COCK D=18		

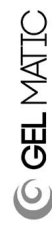


Componenti circuito idrico
Water circuit components

CIRCUITO IDRICO
WATER CIRCUIT

06/2015

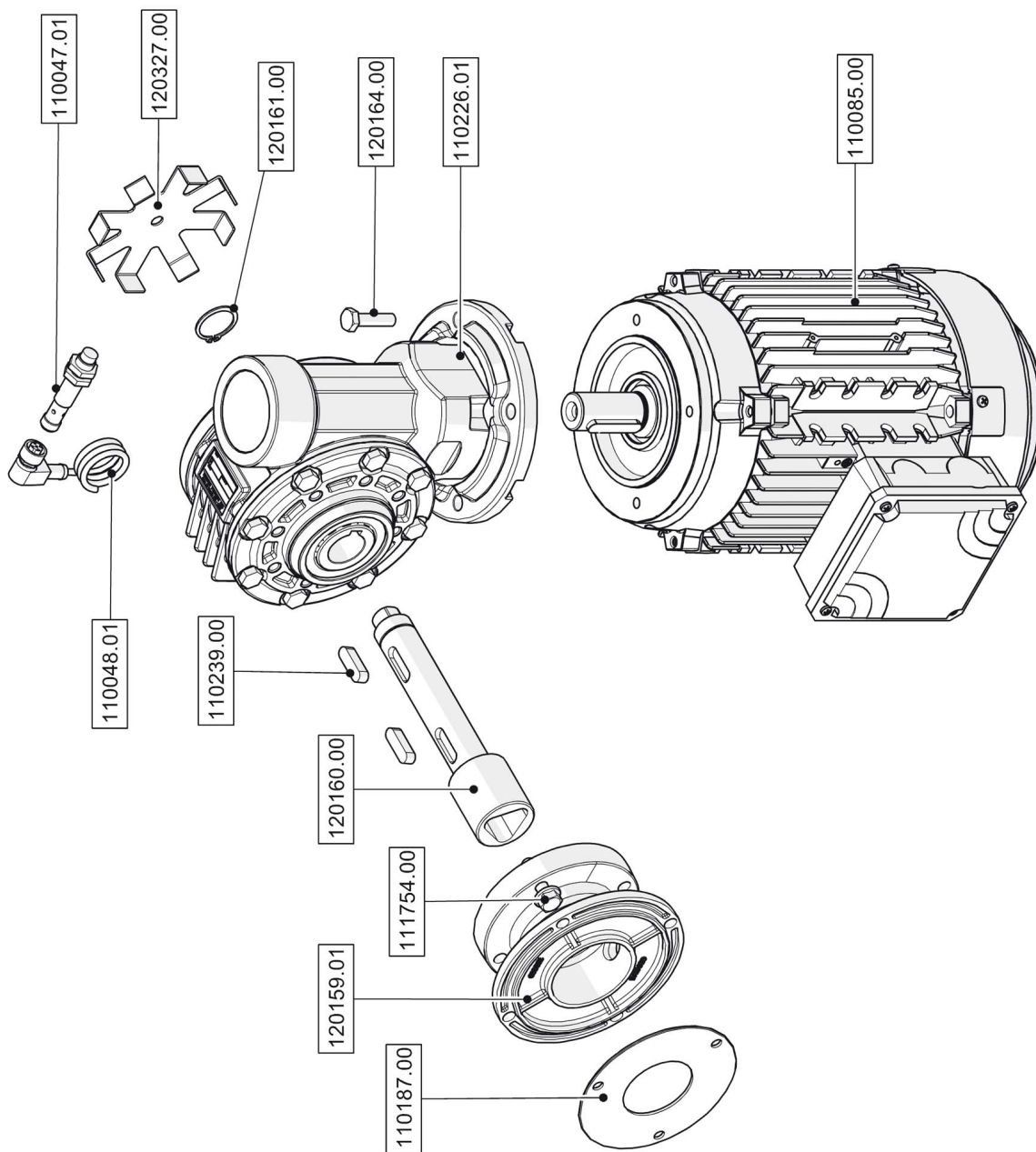
Tav. 637



The system is constantly updated. Thus the data shown can be subject to changes without prior notice.

Component list

Exploded view	Item	Description	Price	Notes
637	110037.02	HEAT EXCHANGER		replaces 110037.01
637	110039.00	PRESSURE CONTROLLED WATER VALVE		
637	110280.01	TUBE LLDPE De=10 Di=7 mm		
637	110281.00	WATER CONNECTOR 3/4G L=50mm		
637	110283.00	UNION ELBOW FOR TUBE D=10		
637	110284.00	TANG CONNECTOR 3/8G D=10mm		
637	110285.00	CONNECTION FOR TUBE D=10		
637	110308.00	GASKET 24,9/14,1/3mm		
637	112831.00	WATER FILTER		
637	112863.00	CONICAL NIPPLE 3/4-3/4		
637	120182.02	WATER INLET/OUTLET CONNECTIONS CONNECTOR		replaces 120182.01
637	120239.02	WATER CONDENSER FIXING KIT		replaces 120239.01
637	130056.01	NUT 1/2GAS		



HC1 (3Ph-380/415V-50Hz)
HC1 (3Ph-380/415V-50Hz)

TRASMISSIONE MECCANICA
MECHANICAL TRANSMISSION

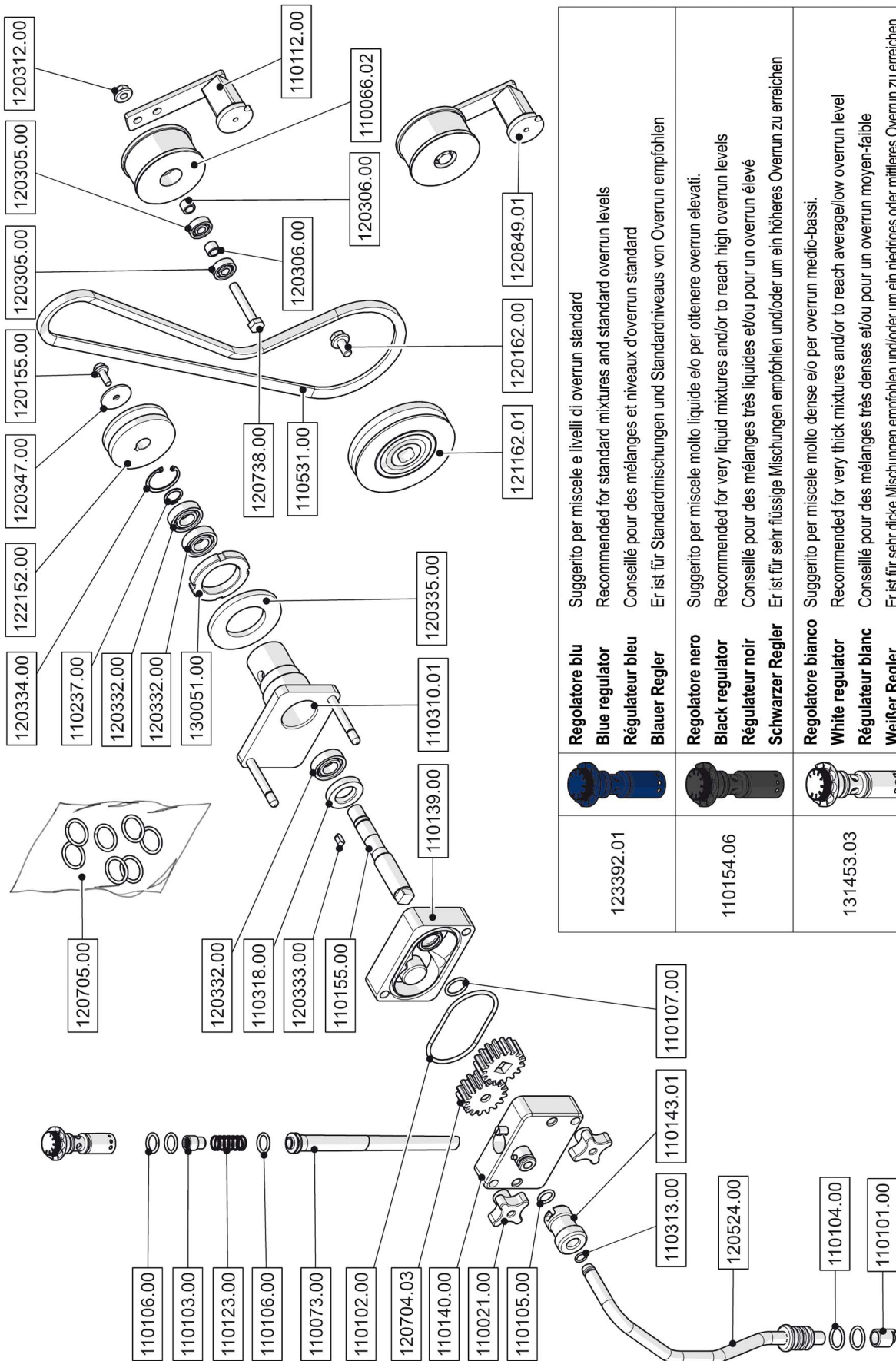
07/2014




Tav. 357

The system is constantly updated. Thus the data shown can be subject to changes without prior notice.

Component list

Exploded view	Item	Description	Price	Notes
357	110047.01	INDUCTIVE SENSOR M12 PNP-NO L=4mm		
357	110048.02	CONNETTORE M12 4PIN L=2m		replaces 110048.01
357	110085.00	MOTOR 1,3kW 3Ph 50Hz		
357	110187.00	INSULATING RING 106/49/2mm		
357	110226.03	RIDUTTORE GM63 P90 B14 I=10		replaces 110226.01
357	110239.00	TONGUE 8x7x28		
357	111754.00	SCREW DIN 6921 M8x25		
357	120159.01	GEARBOX GM63 FIXING FLANGE		
357	120160.02	BEATER TRANSMISSION SHAFT L=186mm		replaces 120160.00
357	120161.00	SEEGER RING 25 E		
357	120164.00	SCREW DIN 933 M8x30		
357	120327.00	PHONIC WHEEL		



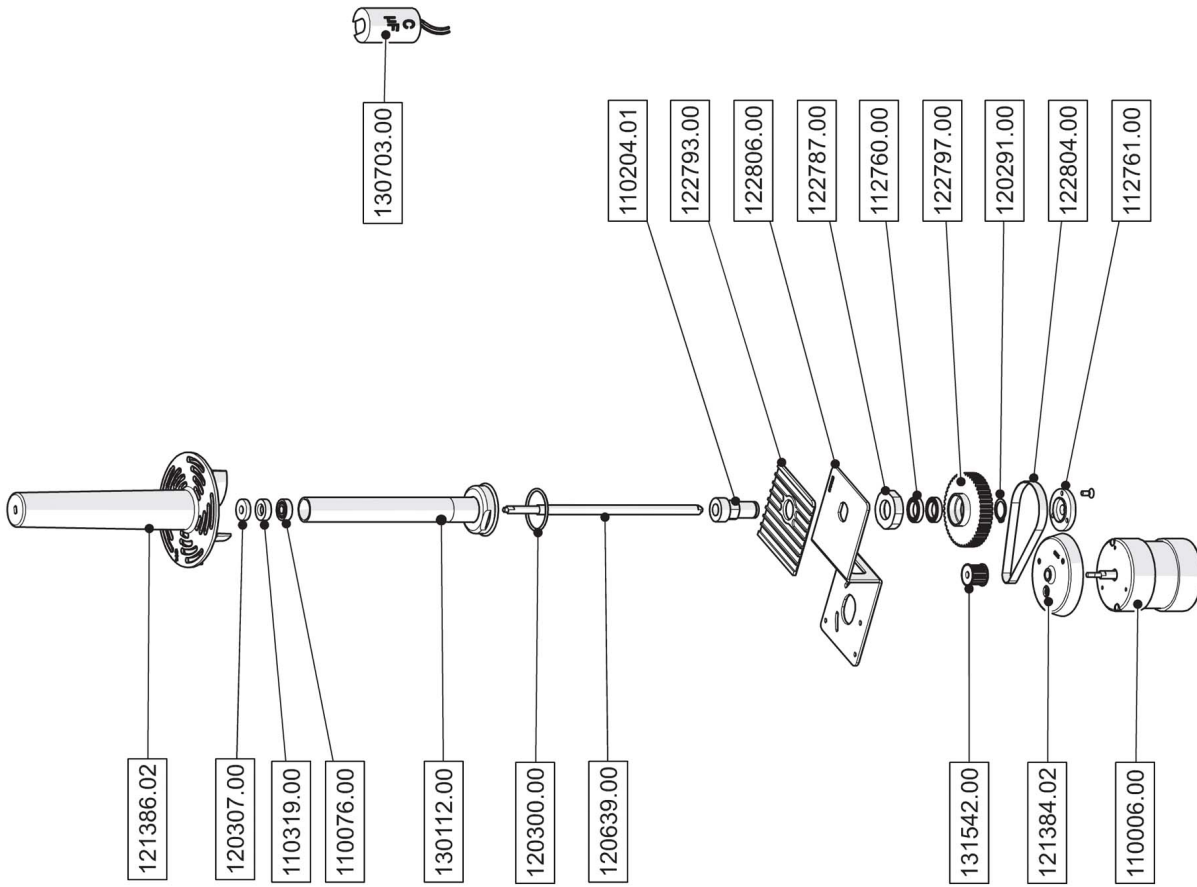
123392.01		Regolatore blu Blue regulator Régulateur bleu Blauer Regler	Suggerito per miscele e livelli di overrun standard Recommended for standard mixtures and standard overrun levels Conseillé pour des mélanges et niveaux d'overrun standard Er ist für Standardmischungen und Standardniveaus von Overrun empfohlen
110154.06		Regolatore nero Black regulator Régulateur noir Schwarzer Regler	Suggerito per miscele molto liquide e/o per ottenere overrun elevati. Recommended for very liquid mixtures and/or to reach high overrun levels Conseillé pour des mélanges très liquides et/ou pour un overrun élevé Er ist für sehr flüssige Mischungen empfohlen und/oder um ein höheres Overrun zu erreichen
131453.03		Regolatore bianco White regulator Régulateur blanc Weißer Regler	Suggerito per miscele molto dense e/o per overrun medio-bassi. Recommended for very thick mixtures and/or to reach average/low overrun level Conseillé pour des mélanges très denses et/ou pour un overrun moyen-faible Er ist für sehr dicke Mischungen empfohlen und/oder um ein niedrigeres oder mittleres Overrun zu erreichen

	GEL MATIC	Tav. 851	06/2016	POMPA DI PRESSURIZZAZIONE PRESSURISING GEAR PUMP	Versione G - M1/H1 HT M1/H1 HT - G version
---	------------------	-----------------	---------	---	---

The system is constantly updated. Thus the data shown can be subject to changes without prior notice.

Component list

Exploded view	Item	Description	Price	Notes
851	110021.00	FASTENING KNOB M8		
851	110066.03	BELT TENSIONER ROLLER		replaces 110066.02
851	110073.01	PUMP SUCTION PIPE		replaces 110073.00
851	110101.00	NON-RETURN VALVE		
851	110102.00	O-RING 4287		
851	110103.00	BY-PASS GASKET		
851	110104.00	O-RING 3068		
851	110105.00	O-RING 115		
851	110106.00	O-RING 3056		
851	110107.02	O-RING 17,86x2,62		replaces 110107.00
851	110112.00	COMPLETE BELT TENSIONER		
851	110123.00	BY-PASS SPRING FOR PUMP		
851	110139.00	PUMP BODY		
851	110140.01	COPERCHIO POMPA MOD. G		replaces 110140.00
851	110143.01	BAYONET JOINT L=39mm		
851	110154.06	PUMP OVERRUN REGULATOR Vers.G, BLACK		
851	110155.01	BEATER TRANSMISSION SHAFT L=118mm		replaces 110155.00
851	110237.00	SEEGER RING 15 E		
851	110310.01	PUMP HUB L=135mm		
851	110313.00	O-RING 108		
851	110318.00	SEAL RING 18x35x7mm		
851	110531.00	PUMP BELT XPZ 962		
851	120565.00	SCREW DIN 6921 M6x18		replaces 120155.00
851	120162.00	SCREW DIN 6921 M8x20		
851	120305.00	BEARING 608 ZZ		
851	120306.01	BELT TENSIONER ROLLER BUSHING 12/9,1mm		replaces 120306.00
851	120312.00	NUT M8		
851	120332.00	BEARING 6002 2RS		
851	120333.00	TONGUE 5x5x12		
851	120334.00	SEEGER RING 32 I		
851	120335.00	WASHER 72/40/6mm		
851	120347.00	WASHER D6x30		
851	120524.00	PUMP COMPRESSION PIPE		
851	120704.05	COUPLE OF PUMP GEARS - PLASTIC		replaces 120704.03
851	120705.00	GASKETS KIT FOR SINGLE PUMP Vers. G		
851	120738.00	SCREW DIN 933 M8x50		
851	120849.01	COMPLETE BELT TENSIONER		
851	121162.01	PUMP PULLEY HT-M		
851	122152.00	PUMP PULLEY D=45mm		
851	123392.02	REGOLATORE POMPA VERSIONE G 70xD=31mm		replaces 123392.01
851	130051.00	RING NUT M40		
851	131453.03	PUMP OVERRUN REGULATOR Vers.G, WHITE		

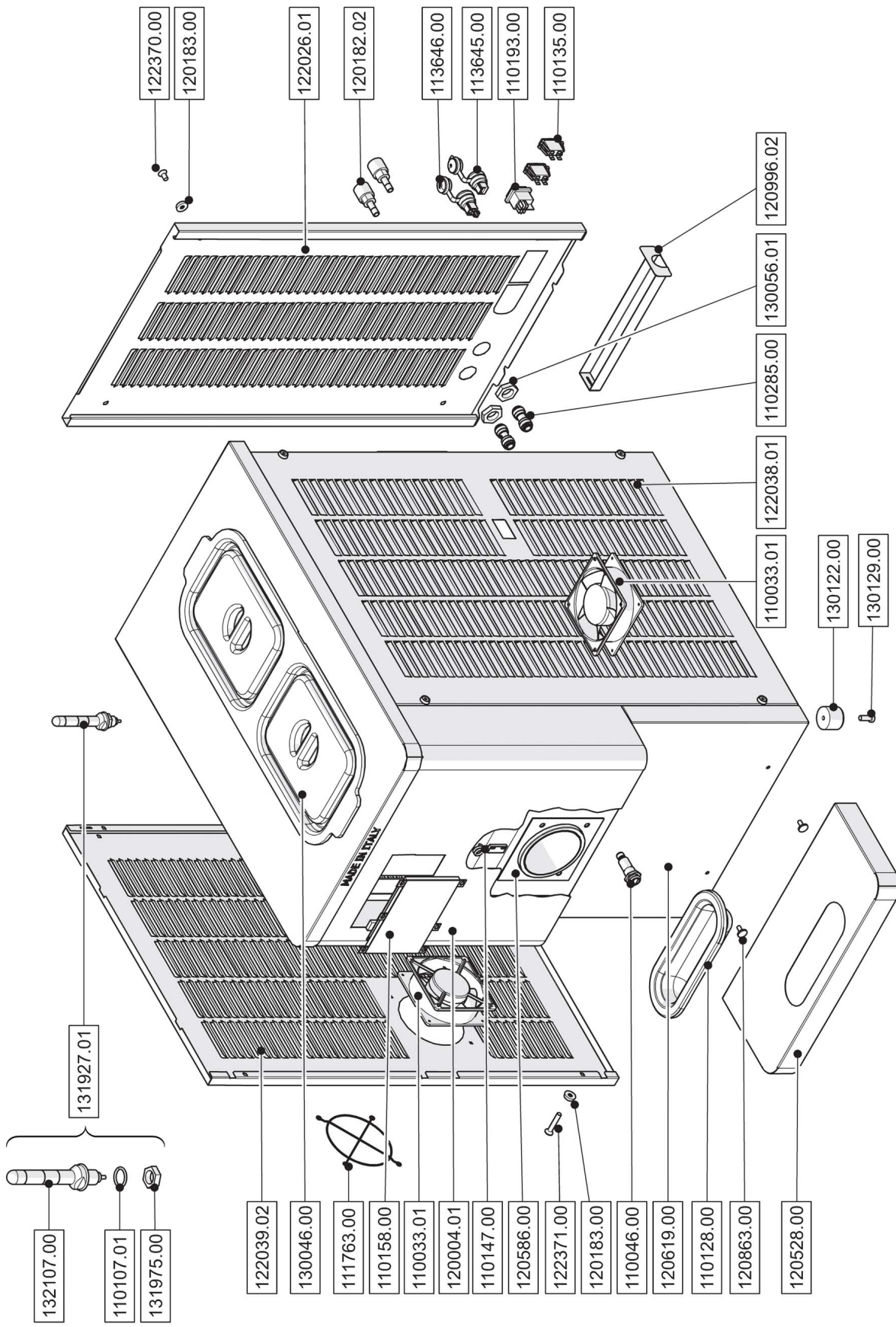


 GEL MATIC	Tav. 1040	06/2017	MIXER VASCA HOPPER MIXER	Versione B - M1/H1, HT 50Hz
				M1/H1, HT 50Hz - B version

The system is constantly updated. Thus the data shown can be subject to changes without prior notice.

Component list

Exploded view	Item	Description	Price	Notes
1040	110006.00	MIXER MOTOR CA73 230Vca 50Hz		
1040	110076.00	BEARING 608-2RS		
1040	110204.01	MIXER FIXING THREAD		
1040	110319.00	SEAL RING 8x22x7mm		
1040	112760.00	BEARING 61903-2RS		
1040	112761.00	MIXER DRIVING DISC		
1040	120291.00	SEEGER RING 17 E		
1040	120300.01	O-RING 3156		replaces 120300.00
1040	120307.01	MIXER CAP D=22mm		replaces 120307.00
1040	120639.01	ALBERO CANOTTO AGITATORE VASCHE L=289mm		replaces 120639.00
1040	121384.02	MIXER MOTOR GASKET		
1040	121386.02	MIXER IMPELLER - M/H HT		
1040	122787.00	RING NUT 40/10,5/M20		
1040	122793.00	INSULATING PLATE		
1040	122797.00	MIXER PULLEY 40XL038		
1040	122804.00	MIXER BELT 156XL037		
1040	122806.01	FIXING PLATE		replaces 122806.00
1040	130112.00	MIXER HUB L=218mm		
1040	130703.00	CAPACITOR 1,5ÅµF		
1040	131542.00	MIXER PULLEY 15xL037		

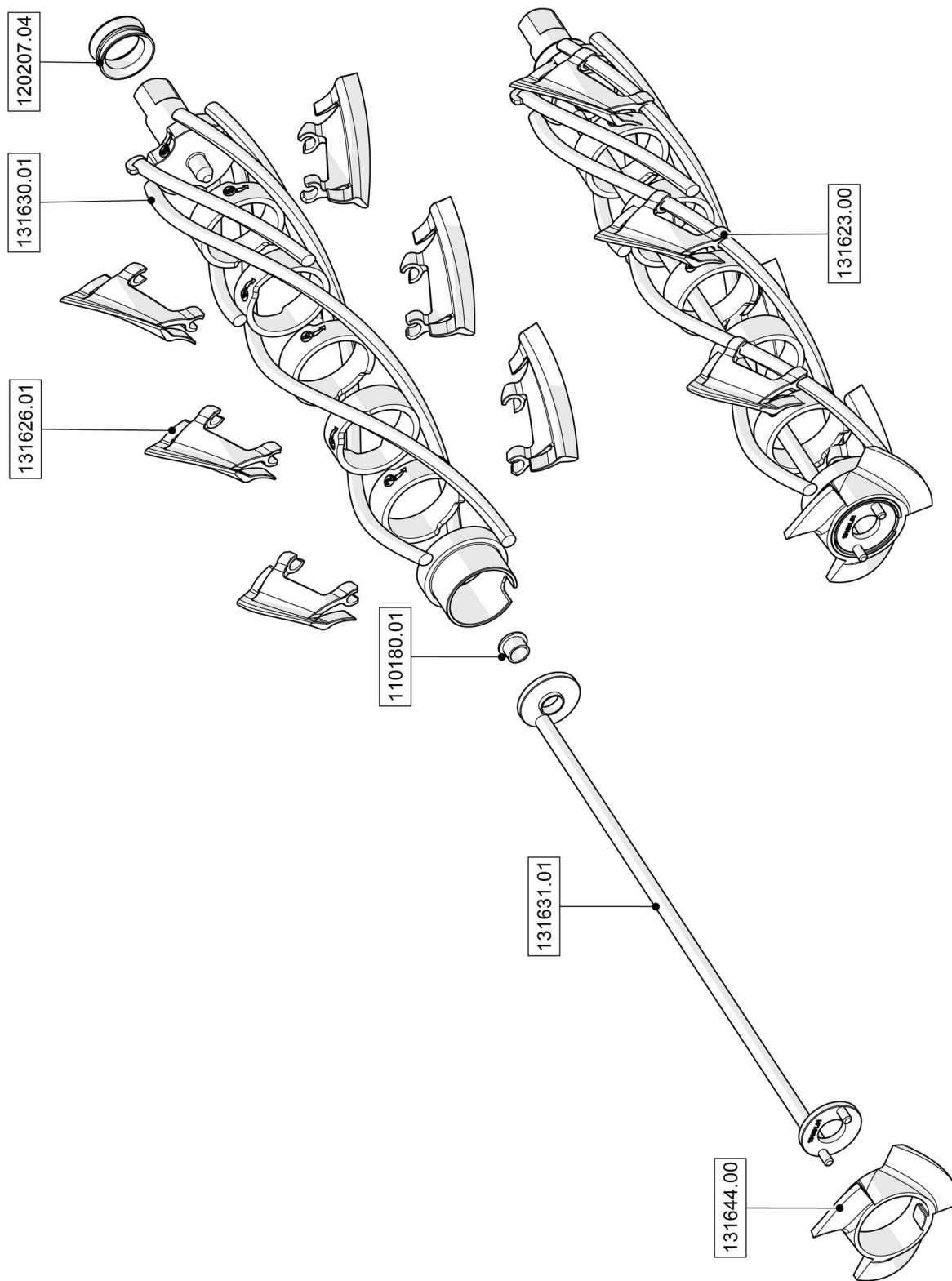


	Tav. 967	11/2018	ALLESTIMENTO EQUIPMENT	HC 153 acqua (accessori neri)
				HC 153 water (black accessories)

The system is constantly updated. Thus the data shown can be subject to changes without prior notice.

Component list

Exploded view	Item	Description	Price	Notes
967	110033.01	FAN D=120mm 230Vac 50-60Hz		
967	110046.00	PHOTOELECTRIC CELL 10-30Vdc NPN L=200 mm		
967	110107.02	O-RING 17,86x2,62		replaces 110107.01
967	110128.00	DRIP-TRAY 250x102xH=49mm		
967	110135.00	PANEL FUSE-HOLDER		
967	110147.00	MAGNETIC SENSOR 24-230 Vac		
967	110158.00	CPU BOARD WITH TOUCH SCREEN 7		
967	110193.00	SWITCH 250Vac 16A		
967	110285.00	CONNECTION FOR TUBE D=10		
967	111763.00	FAN GUARD D=120mm		
967	113645.00	USB PANEL CONNECTOR		
967	113646.00	PANEL CONNECTOR RJ45		
967	120004.02	PANNELLO FRONTALE SUP. HC/HV1 INCODIS		replaces 120004.01
967	120182.02	WATER INLET/OUTLET CONNECTIONS CONNECTOR		
967	120183.00	HUBCAP		
967	120528.00	DRIP-TRAY SUPPORT 445x190x42mm		
967	120586.00	ANTI-CONDENSATION GASKET 140x140mm		
967	120619.00	LOWER FRONT PANEL MC/HC1		
967	120863.00	ROD		
967	120996.02	CONDENSATE TRAY L=276mm		
967	122026.02	PANNELLO RETRO MC-HC1		replaces 122026.01
967	122038.01	RIGHT-HAND SIDE PANEL HC2		
967	122039.02	LEFT-HAND SIDE PANEL HC1		
967	122370.00	SCREW DIN 965 M6x12 ST.STEEL		
967	122371.00	SCREW DIN 965 M6x30 ST.STEEL		
967	130046.01	COPERCHIO VASCA 611x224mm		replaces 130046.00
967	130056.01	NUT 1/2GAS		
967	130122.00	RUBBER FOOT		
967	130129.00	SCREW DIN 912 M8x20		
967	131927.01	CONDUCTION LEVEL SENSOR C2		
967	131975.00	NUT D=22 3/8 GAS		
967	132107.00	C2 LEVEL SENSOR BODY		

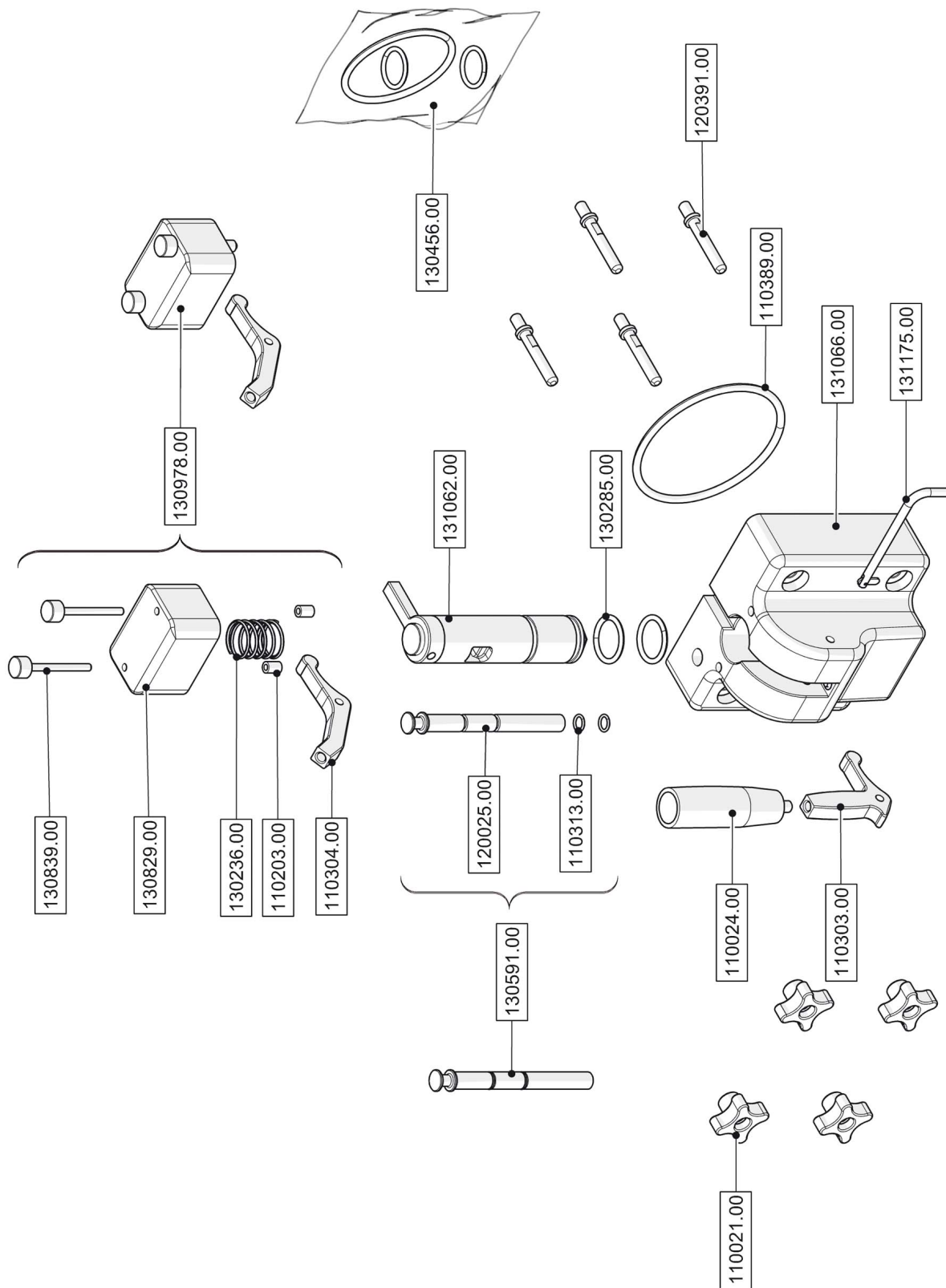


	GEL MATIC Tav. 720	02/2016	AGITATORE BEATER	SF1 - Serie H SF1 - H series
--	---------------------------	---------	---------------------	---------------------------------

The system is constantly updated. Thus the data shown can be subject to changes without prior notice.

Component list

Exploded view	Item	Description	Price	Notes
720	110180.02	BOCCOLA PER AGITATORE D=20 L=11,5mm		replaces 110180.01
720	120207.06	BEATER SEALING RING		replaces 120207.04
720	131623.02	AGITATORE SF2-H		replaces 131623.00
720	131626.02	BEATER BLADE SF1-H		replaces 131626.01
720	131630.02	CORPO AGITATORE SF2-H		replaces 131630.01
720	131631.01	BEATER IDLER SF1-H		
720	131644.02	COCLEA AGITATORE L=25 D=96,7mm		replaces 131644.00

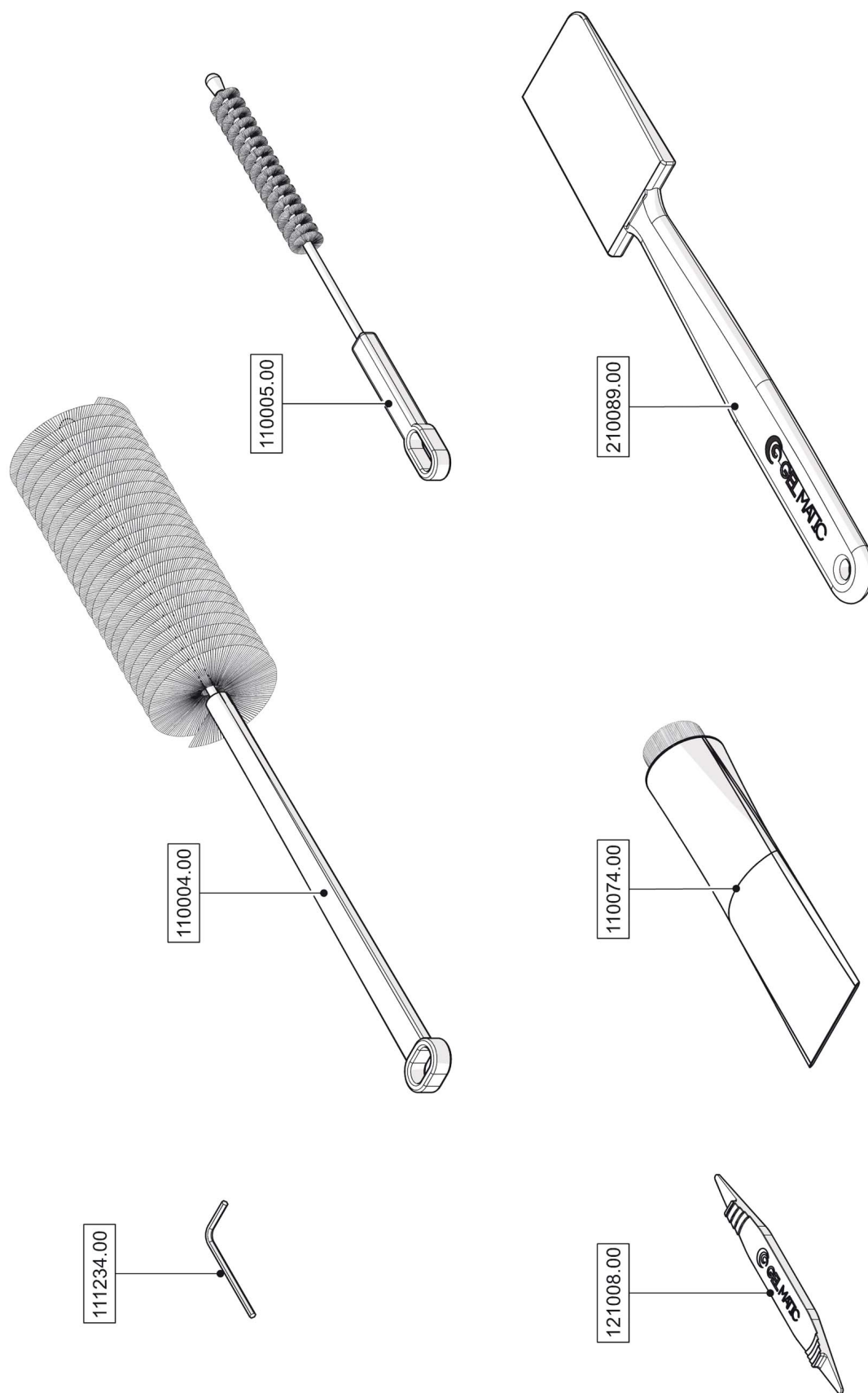



	Tav. 648	04/2015	GRUPPO EROGAZIONE DISPENSING DOOR	M1-H1, design standard, colore nero, 1 pistone M1-H1, standard design, black colour, standard dispensing lever, a piston
--	-----------------	---------	--	---

The system is constantly updated. Thus the data shown can be subject to changes without prior notice.

Component list

Exploded view	Item	Description	Price	Notes
648	110021.00	FASTENING KNOB M8		
648	110024.00	BLACK HANDLE		
648	110203.00	THREADED BUSHING M8 H=11mm		
648	110303.00	DISPENSING LEVER		
648	110304.00	DISPENSING LEVER		
648	110313.00	O-RING 108		
648	110389.00	O-RING 6412		
648	120025.00	AIR VENT VALVE L=130,5mm		
648	120391.00	DISPENSING UNIT TIE ROD		
648	114132.00	MOLLA DI COMPRESSIONE 2,2x21,8x59,1		replaces 130236.00
648	130285.00	O-RING		
648	130456.00	DISPENSING UNIT GASKETS KIT 1/2L M-H		
648	130591.00	AIR VENT VALVE L=130mm		
648	130829.00	SELF CLOSING SET COVER - PC BLACK B1		
648	130839.00	ROD		
648	130978.00	SELF CLOSING COVER - BLACK B-M-H 1L		
648	131062.00	L. MAGNETIC PISTON D=33mm L=149,3mm		
648	131066.01	DISPENSING UNIT BODY M-H1 GR ST N 1L		replaces 131066.00
648	131175.00	LEVER FASTENING PIN		

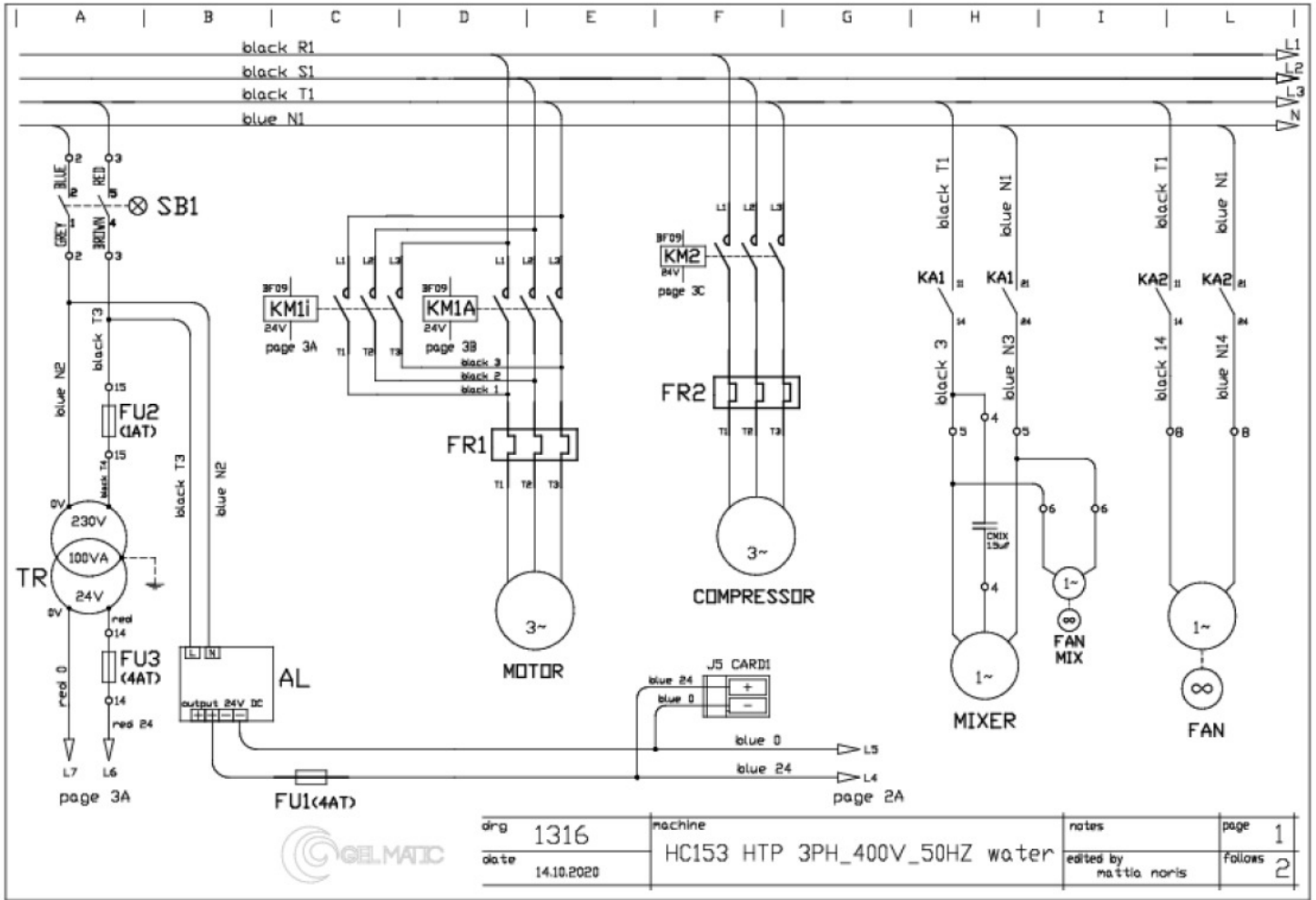


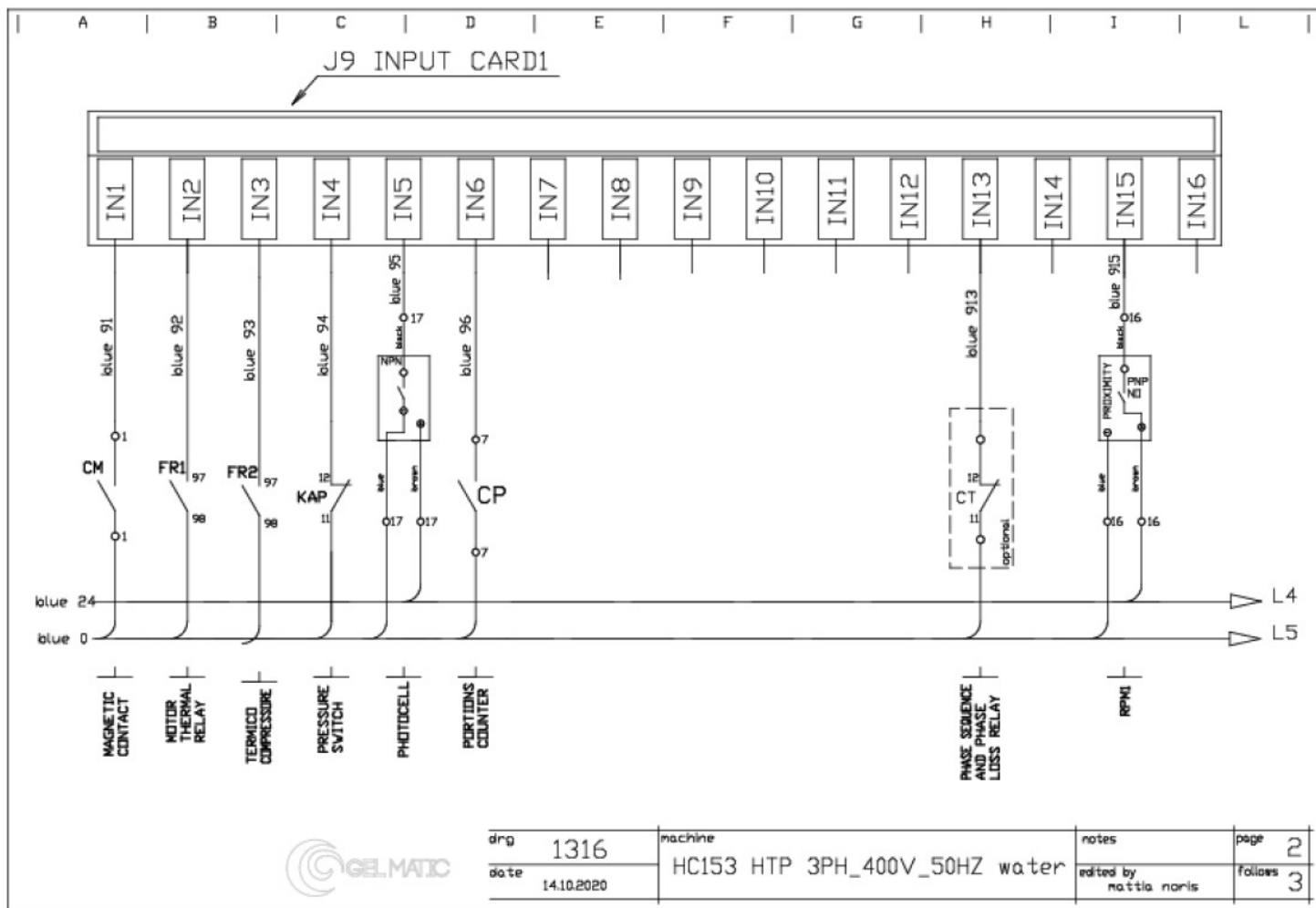
	Tav. 978	ACCESSORI ACCESSORIES	Strumenti per manutenzione ordinaria <i>Ordinary maintenance equipment</i>
---	-----------------	----------------------------------	---

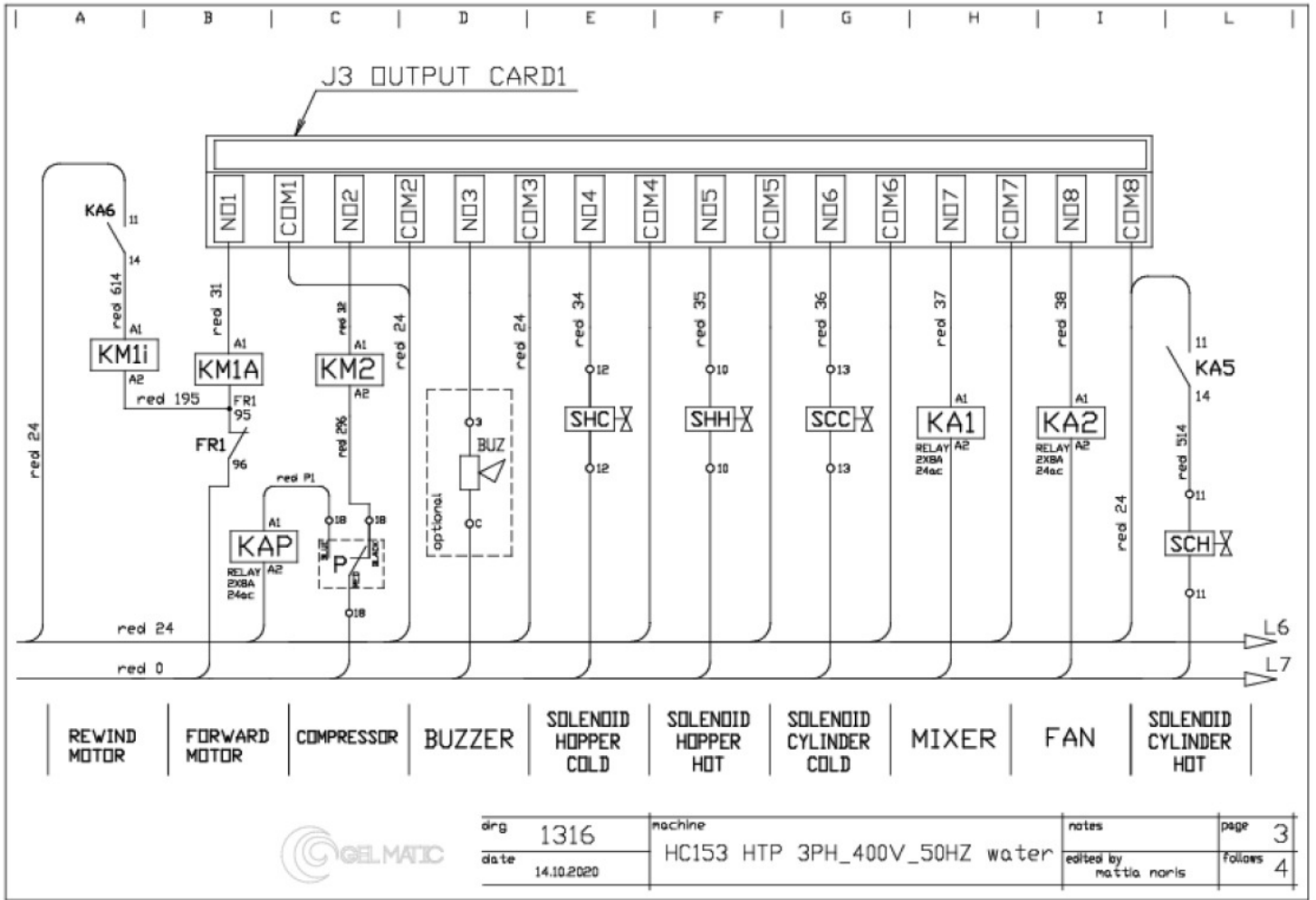
The system is constantly updated. Thus the data shown can be subject to changes without prior notice.

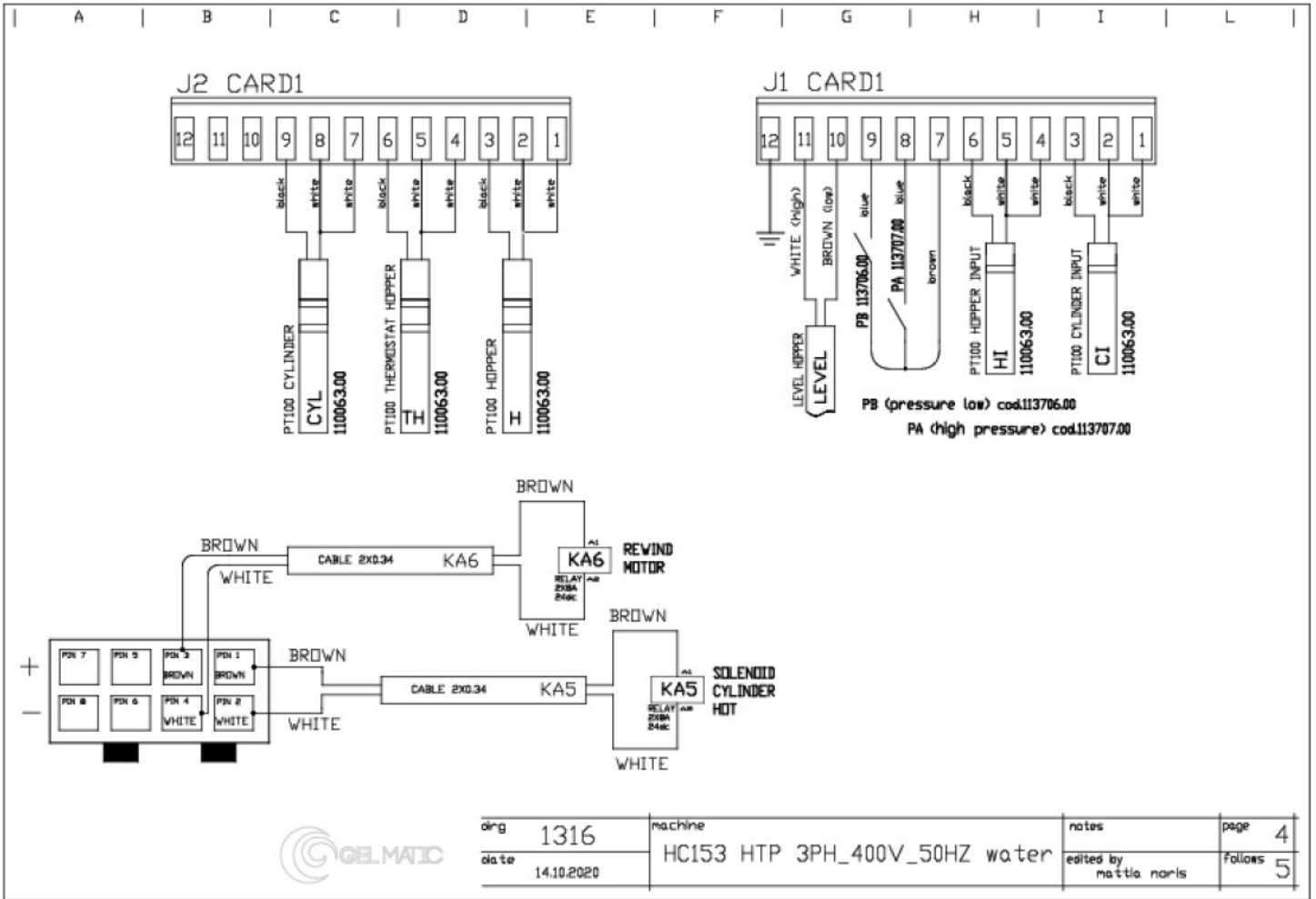
Component list

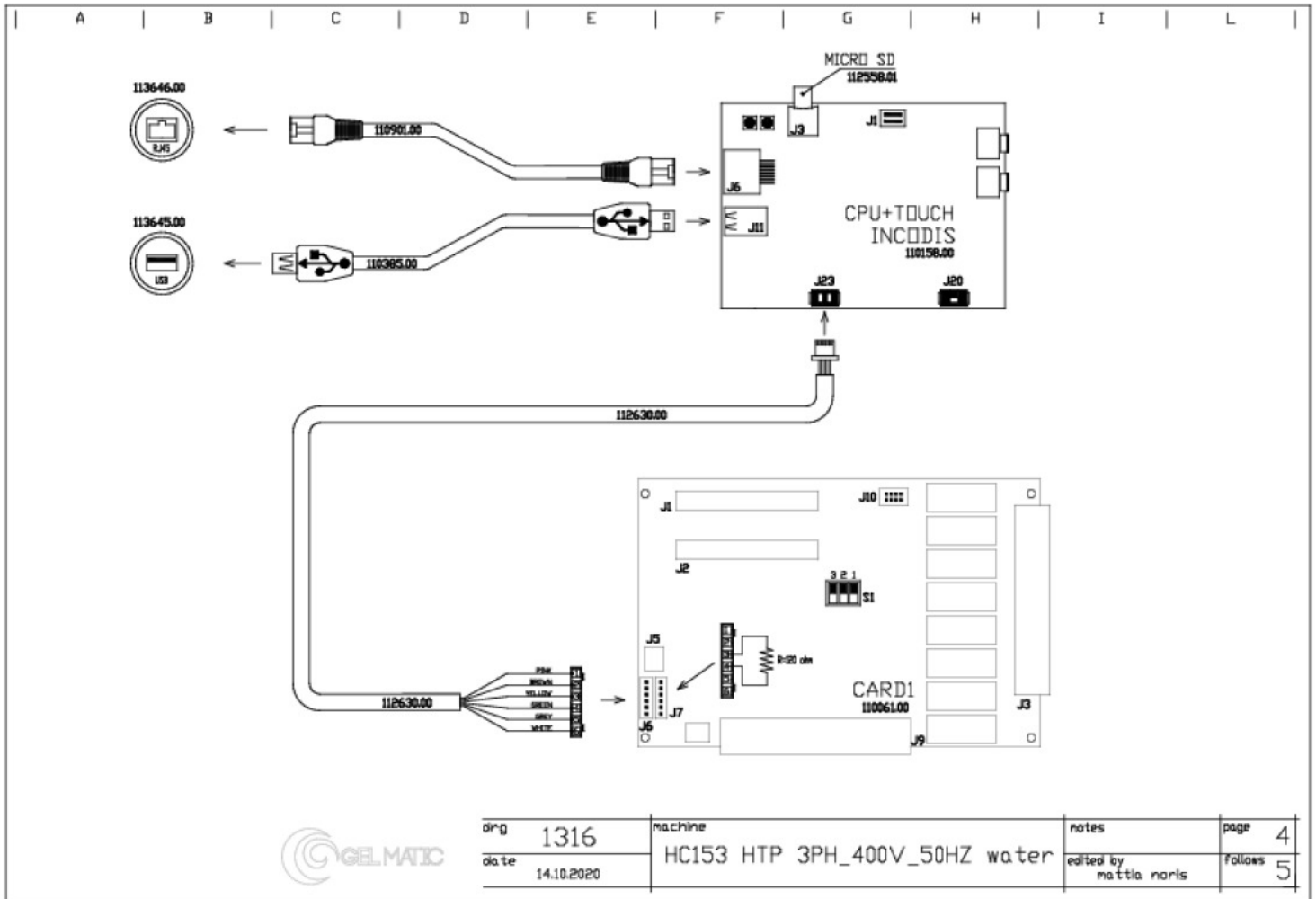
Exploded view	Item	Description	Price	Notes
978	110004.01	CLEANING BRUSH L=160mm		replaces 110004.00
978	110005.00	CLEANING BRUSH L=100mm		
978	110074.00	LUBRICANT TUBE		
978	111234.00	ALLEN KEY 2,5mm		
978	121008.00	O-RING REMOVER		
978	210089.00	WHITE SPATULA WITH LOGO		











Component list

List - L1302	Item	Description	Price	Notes
L1302	110001.00	MAGNETIC SENSOR 24-150 Vac		
L1302	110033.01	FAN D=120mm 230Vac 50-60Hz		
L1302	110042.00	DANFOSS COIL 24Vac 50-60Hz		
L1302	110046.00	PHOTOELECTRIC CELL 10-30Vdc NPN L=200 mm		
L1302	110047.01	INDUCTIVE SENSOR M12 PNP-NO L=4mm		
L1302	110048.02	CONNETTORE M12 4PIN L=2m		replaces 110048.01
L1302	110061.00	INCODIS I/O BOARD		
L1302	110063.00	PT100 TEMPERATURE PROBE		
L1302	110087.00	POWER SUPPLY 60W 2,5A 24Vdc		
L1302	110135.00	PANEL FUSE-HOLDER		
L1302	110136.00	TRIPOLAR CONTACTOR 9A 24Vac 50/60Hz		
L1302	110138.00	THERMAL RELAY 2,5:4 RF38		
L1302	110144.00	2-CONTACT RELAY 24Vac 8A WITH BASE		
L1302	110145.00	2-CONTACT RELAY 24Vdc 8A WITH BASE		
L1302	110147.00	MAGNETIC SENSOR 24-230 Vac		
L1302	110158.00	CPU BOARD WITH TOUCH SCREEN 7		
L1302	110193.00	SWITCH 250Vac 16A		
L1302	110295.01	CONNETTORE PER BOBINA		
L1302	110306.00	RELE TERMICO 6,3:10 RF38		
L1302	110338.00	FUSE 1A T 5x20		
L1302	110339.00	FUSE 4A T 5x20		
L1302	110385.00	DATA CABLE USB		
L1302	110636.01	POWER CORD		
L1302	110874.00	2-CONTACT RELAY 24Vac 8A		
L1302	110879.01	BUZZER INTERMITTENTE 24Vac/dc		
L1302	110901.00	ETHERNET DATA CABLE		
L1302	111481.00	2-CONTACT RELAY 24Vdc 8A		
L1302	111628.00	TRANSFORMER 1Ph 100VA 220-230V 0-24V		
L1302	112558.01	MICRO SD CARD		
L1302	112630.00	DATA CABLE Ref. No. 9015		
L1302	113645.00	USB PANEL CONNECTOR		
L1302	113646.00	PANEL CONNECTOR RJ45		
L1302	113706.00	PRESSURE TRANSMITTERS		
L1302	113707.00	PRESSURE TRANSMITTERS		
L1302	130703.00	CAPACITOR 1,5ÅµF		