

---

## Exploded views booklet

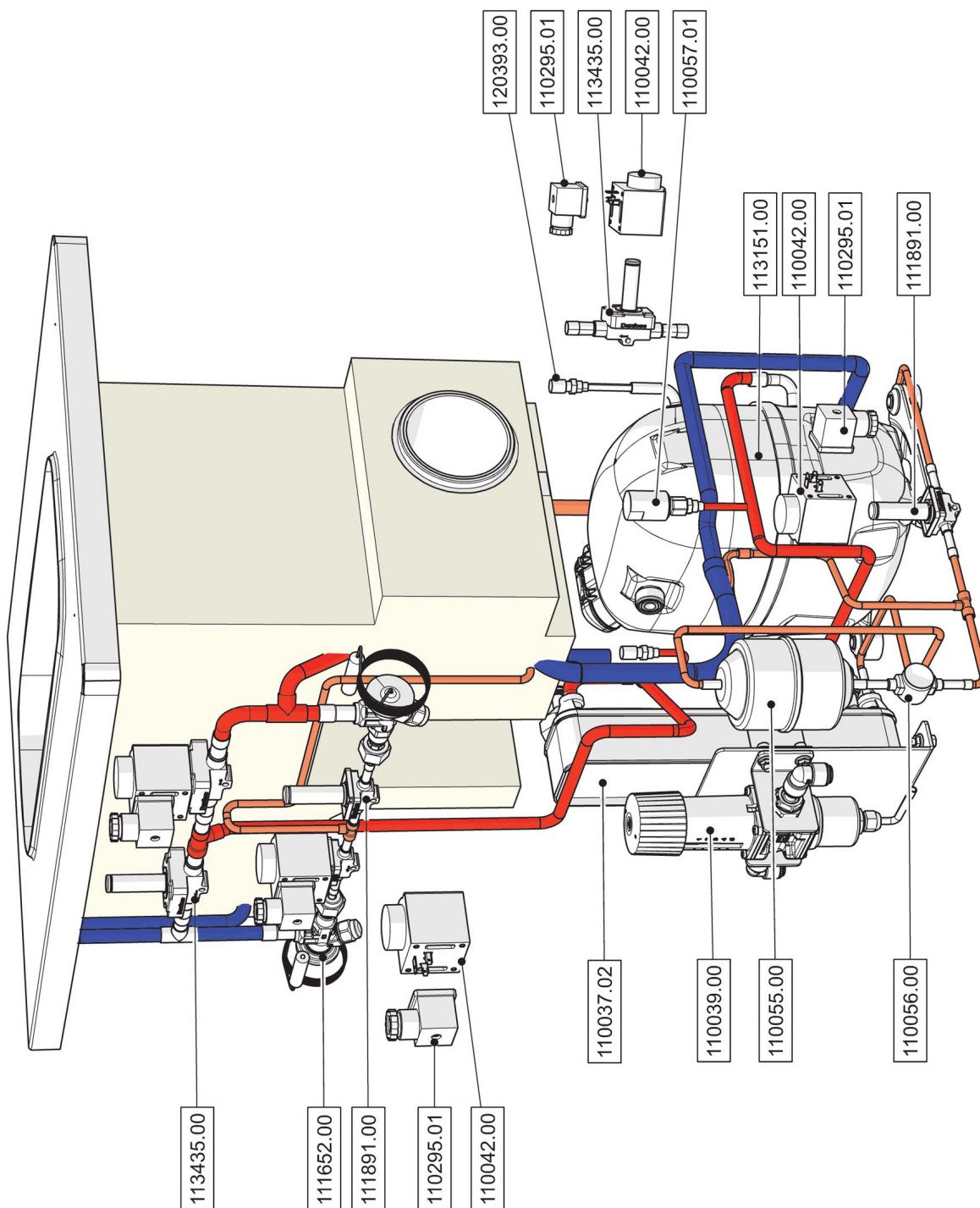
# Serial Number: Q4GQU

**Model: SELF GEL 1 UP - 3Ph-380/415V-50Hz - Water**

**Year of manufacture: 07-2020**

## Index

Exploded view 1507 .....	2
Exploded view 637 .....	4
Exploded view 016 .....	6
Exploded view 1201 .....	8
Exploded view 1064 .....	10
Exploded view 1715 .....	12
Exploded view 1594 .....	14
Exploded view 706 .....	16
Exploded view 1054 .....	18
Exploded view 978 .....	20
Wiring diagram .....	22
Component list L1259 .....	36



CIRCUITO FRIGORIFERO  
REFRIGERATING SYSTEM

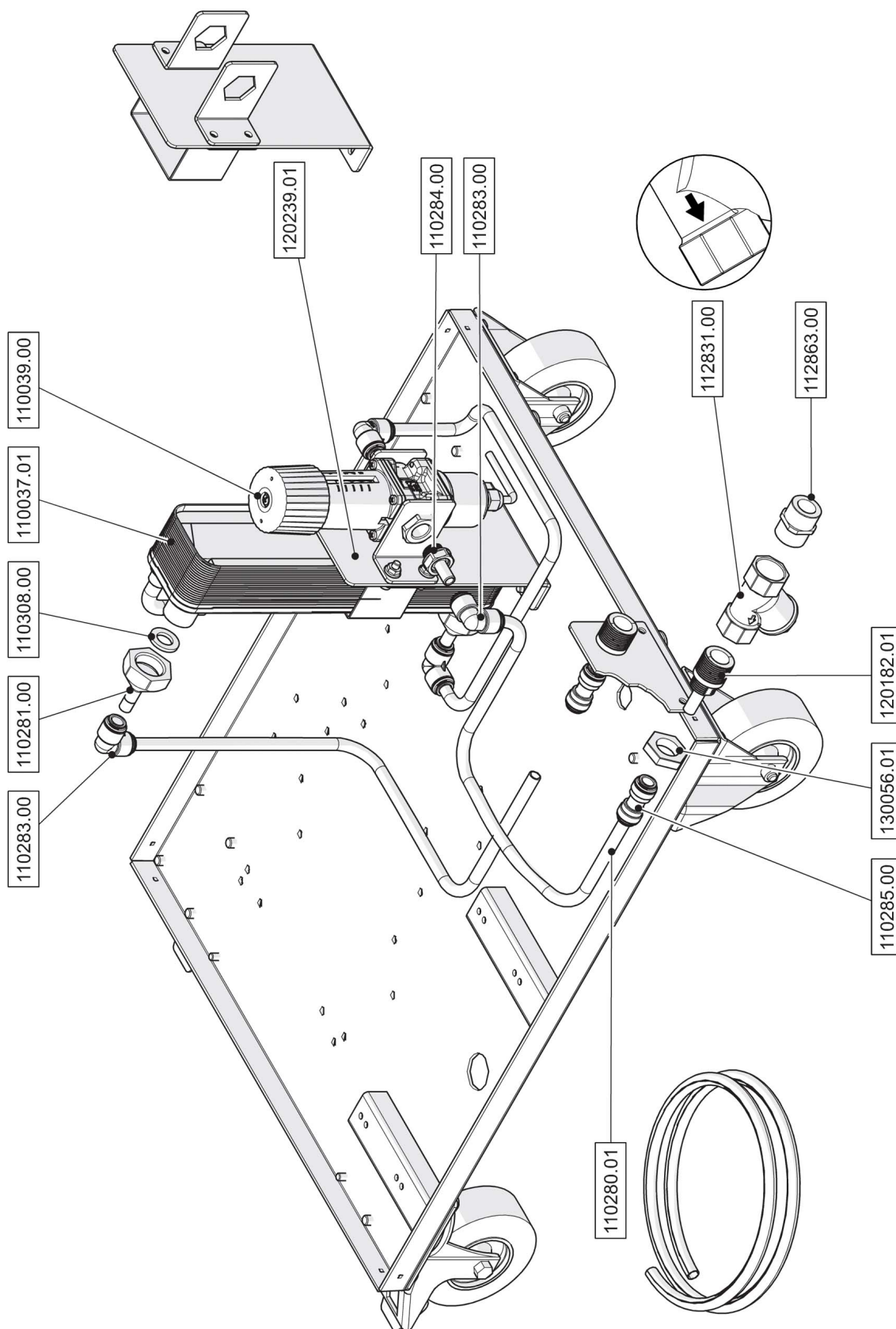
01/2020

Tav. 1507

The system is constantly updated. Thus the data shown can be subject to changes without prior notice.

## Component list

Exploded view	Item	Description	Price	Notes
1507	110037.02	HEAT EXCHANGER		
1507	110039.00	PRESSURE CONTROLLED WATER VALVE		
1507	110042.00	DANFOSS COIL 24Vac 50-60Hz		
1507	110055.00	FILTER DRYER 250cc		
1507	110056.00	DANFOSS MOISTURE INDICATOR 1/4		
1507	110057.01	PRESSURE SWITCH		
1507	110295.01	CONNETTORE PER BOBINA		
1507	111652.00	TS2 VALVE WITH OREFICE 03		
1507	111891.00	DANFOSS SOLENOID VALVE		
1507	113151.00	COMPRESSORE TAJ2464Z-TZ 3Ph-400V-50Hz		
1507	113435.00	DANFOSS SOLENOID VALVE		
1507	120393.00	INLET VALVE 1/4		



Componenti circuito idrico  
Water circuit components

CIRCUITO IDRICO  
WATER CIRCUIT

06/2015

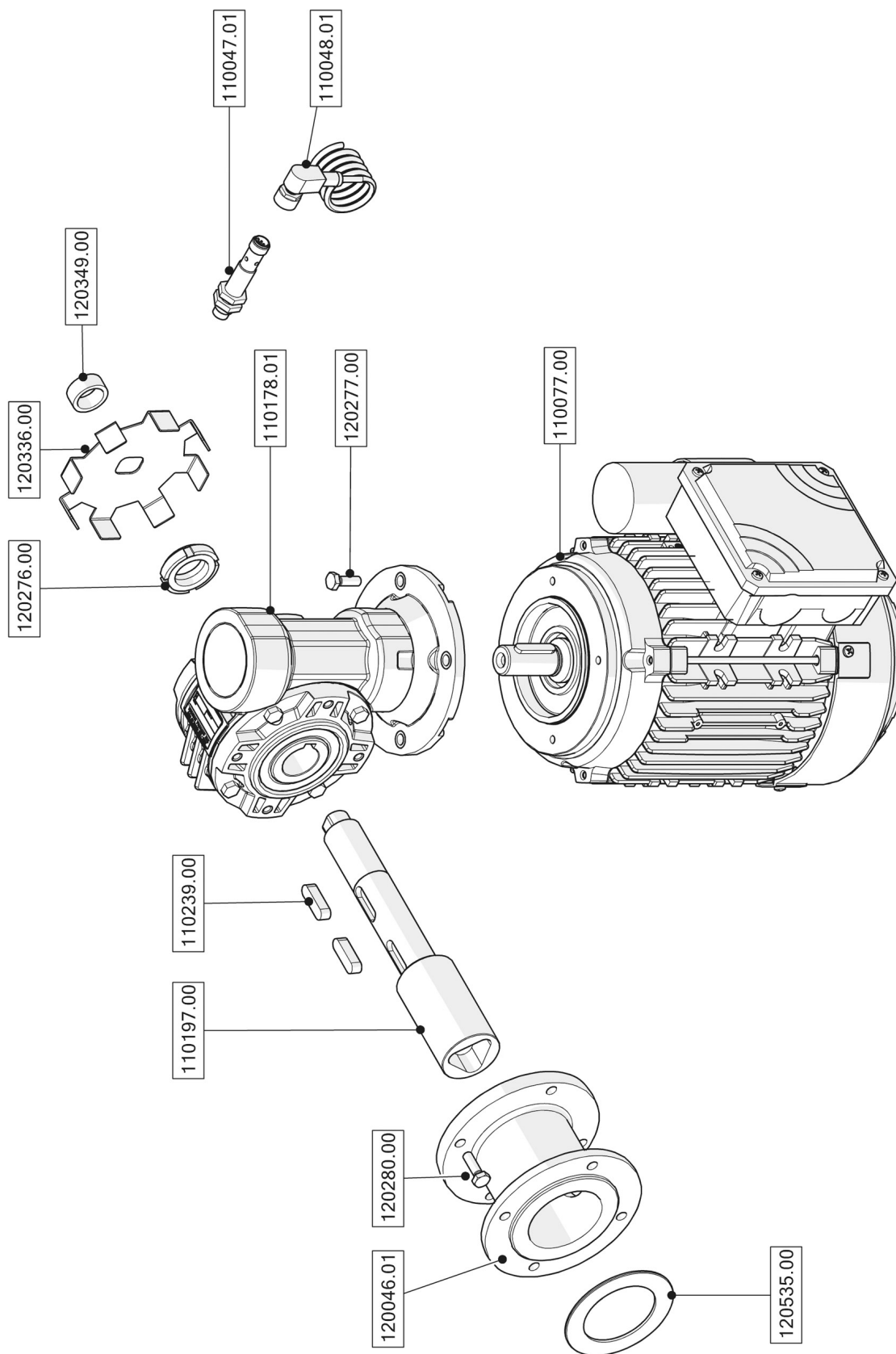
Tav. 637



The system is constantly updated. Thus the data shown can be subject to changes without prior notice.

## Component list

Exploded view	Item	Description	Price	Notes
637	110037.02	HEAT EXCHANGER		replaces 110037.01
637	110039.00	PRESSURE CONTROLLED WATER VALVE		
637	110280.01	TUBE LLDPE De=10 Di=7 mm		
637	110281.00	WATER CONNECTOR 3/4G L=50mm		
637	110283.00	UNION ELBOW FOR TUBE D=10		
637	110284.00	TANG CONNECTOR 3/8G D=10mm		
637	110285.00	CONNECTION FOR TUBE D=10		
637	110308.00	GASKET 24,9/14,1/3mm		
637	112831.00	WATER FILTER		
637	112863.00	CONICAL NIPPLE 3/4-3/4		
637	120182.02	WATER INLET/OUTLET CONNECTIONS CONNECTOR		replaces 120182.01
637	120239.02	WATER CONDENSER FIXING KIT		replaces 120239.01
637	130056.01	NUT 1/2GAS		



B1-B2 (3Ph-380/415V-50Hz)  
B1-B2 (3Ph-380/415V-50Hz)

TRASMISSIONE MECCANICA  
MECHANICAL TRANSMISSION

05/2014

Tav. 016



The system is constantly updated. Thus the data shown can be subject to changes without prior notice.

## Component list

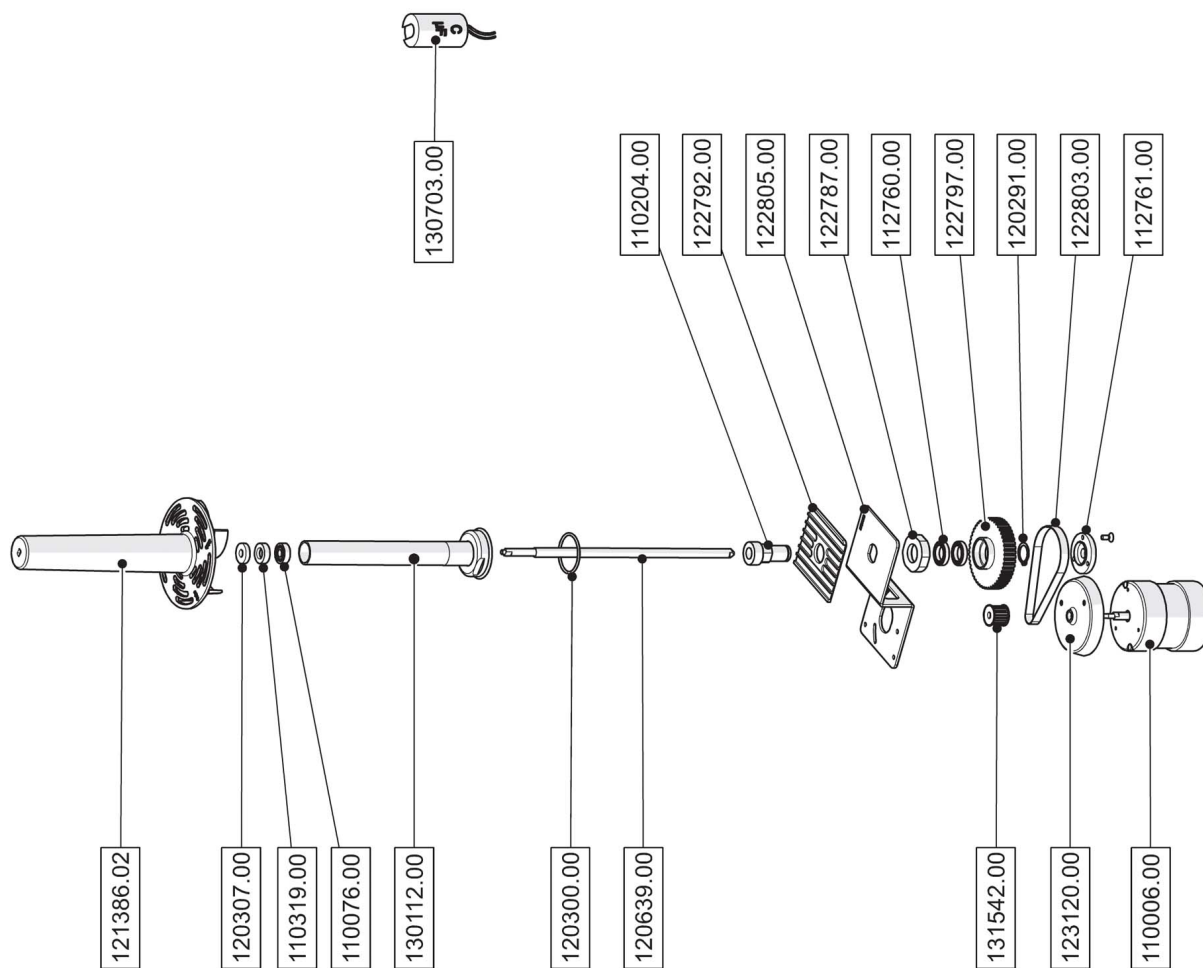
Exploded view	Item	Description	Price	Notes
016	110047.01	INDUCTIVE SENSOR M12 PNP-NO L=4mm		
016	110048.02	CONNETTORE M12 4PIN L=2m		replaces 110048.01
016	110077.00	MOTOR 0,75kW 3Ph 50Hz		
016	110178.02	REDUCTION UNIT GM49 I=10		replaces 110178.01
016	110197.02	BEATER TRANSMISSION SHAFT L=211mm		replaces 110197.00
016	110239.00	TONGUE 8x7x28		
016	120046.02	DISTANZIALE PER RIDUTTORE L= 77,2 GM49		replaces 120046.01
016	120276.00	SELF-LOCKING RING NUT M25		
016	120277.00	SCREW DIN 933 M6x18		
016	120565.00	SCREW DIN 6921 M6x18		replaces 120280.00
016	120336.00	PHONIC WHEEL		
016	120349.00	SPACER RING 24/18,2/10mm		
016	120535.00	INSULATING RING 74,5/50/2mm		





## Component list

Exploded view	Item	Description	Price	Notes
1201	110021.00	FASTENING KNOB M8		
1201	110066.03	BELT TENSIONER ROLLER		
1201	110101.00	NON-RETURN VALVE		
1201	110102.00	O-RING 4287		
1201	110103.00	BY-PASS GASKET		
1201	110104.00	O-RING 3068		
1201	110105.00	O-RING 115		
1201	110106.00	O-RING 3056		
1201	110107.02	O-RING 17,86x2,62		replaces 110107.01
1201	110112.00	COMPLETE BELT TENSIONER		
1201	110123.00	BY-PASS SPRING FOR PUMP		
1201	110139.00	PUMP BODY		
1201	110140.01	PUMP COVER Vers. G		replaces 110140.00
1201	110143.01	BAYONET JOINT L=39mm		
1201	110154.06	PUMP OVERRUN REGULATOR Vers.G, BLACK		
1201	110155.01	BEATER TRANSMISSION SHAFT L=118mm		replaces 110155.00
1201	110237.00	SEEGER RING 15 E		
1201	110310.01	PUMP HUB L=135mm		
1201	110313.00	O-RING 108		
1201	110318.00	SEAL RING 18x35x7mm		
1201	113113.00	PUMP BELT SPZ 838		
1201	120565.00	SCREW DIN 6921 M6x18		replaces 120155.00
1201	120305.00	BEARING 608 ZZ		
1201	120306.01	BELT TENSIONER ROLLER BUSHING 12/9,1mm		replaces 120306.00
1201	120312.00	NUT M8		
1201	120313.01	COMPLETE BELT TENSIONER		
1201	120332.00	BEARING 6002 2RS		
1201	120333.00	TONGUE 5x5x12		
1201	120334.00	SEEGER RING 32 I		
1201	120335.00	WASHER 72/40/6mm		
1201	120347.00	WASHER D6x30		
1201	120436.01	BELT TENSIONER ROLLER BUSHING 12/15,1mm		replaces 120436.00
1201	120704.05	COUPLE OF PUMP GEARS - PLASTIC		
1201	120705.00	GASKETS KIT FOR SINGLE PUMP Vers. G		
1201	120738.00	SCREW DIN 933 M8x50		
1201	120742.01	PUMP PULLEY HT-B		
1201	122152.00	PUMP PULLEY D=45mm		
1201	123386.00	PUMP COMPRESSION PIPE		
1201	123392.02	REGOLATORE POMPA VERSIONE G 70xD=31mm		replaces 123392.01
1201	123419.00	PUMP SUCTION PIPE		
1201	130051.00	RING NUT M40		
1201	131453.03	PUMP OVERRUN REGULATOR Vers.G, WHITE		

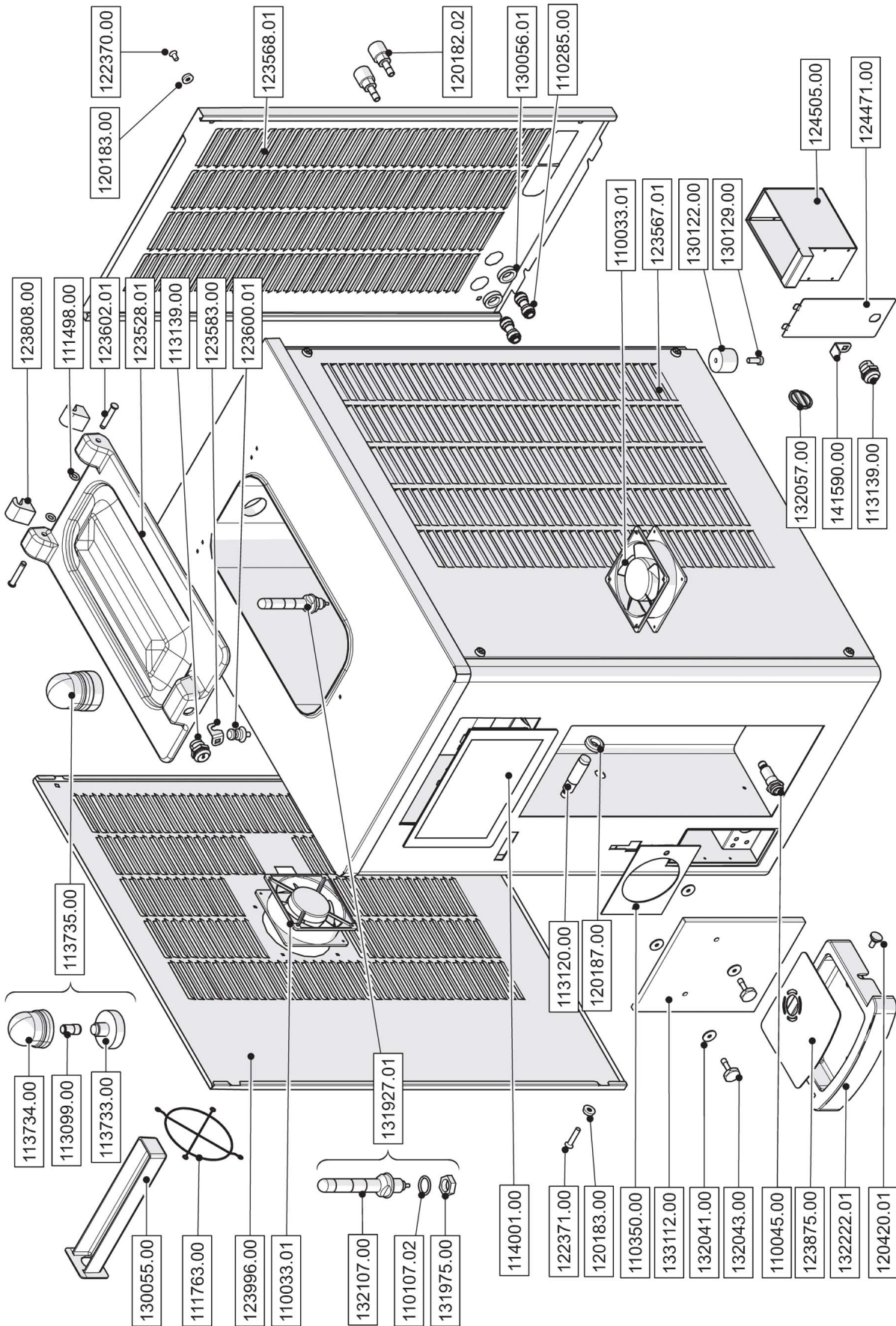


	<b>Tav. 1064</b>	06/2017	MIXER VASCA HOPPER MIXER	Versione B - Self
				B Version - Self

The system is constantly updated. Thus the data shown can be subject to changes without prior notice.

## Component list

Exploded view	Item	Description	Price	Notes
1064	110006.00	MIXER MOTOR CA73 230Vca 50Hz		
1064	110076.00	BEARING 608-2RS		
1064	110204.01	MIXER FIXING THREAD		replaces 110204.00
1064	110319.00	SEAL RING 8x22x7mm		
1064	112760.00	BEARING 61903-2RS		
1064	112761.00	MIXER DRIVING DISC		
1064	120291.00	SEEGER RING 17 E		
1064	120300.01	O-RING 3156		replaces 120300.00
1064	120307.01	MIXER CAP D=22mm		replaces 120307.00
1064	120639.01	ALBERO CANOTTO AGITATORE VASCHE L=289mm		replaces 120639.00
1064	121386.02	MIXER IMPELLER - M/H HT		
1064	122787.00	RING NUT 40/10,5/M20		
1064	122792.00	INSULATING PLATE		
1064	122797.00	MIXER PULLEY 40XL038		
1064	122803.00	MIXER BELT 130XL037		
1064	122805.01	FIXING PLATE		replaces 122805.00
1064	121384.02	MIXER MOTOR GASKET		replaces 123120.00
1064	130112.00	MIXER HUB L=218mm		
1064	130703.00	CAPACITOR 1,5µF		
1064	131542.00	MIXER PULLEY 15xL037		



ALLESTIMENTO  
EQUIPMENT

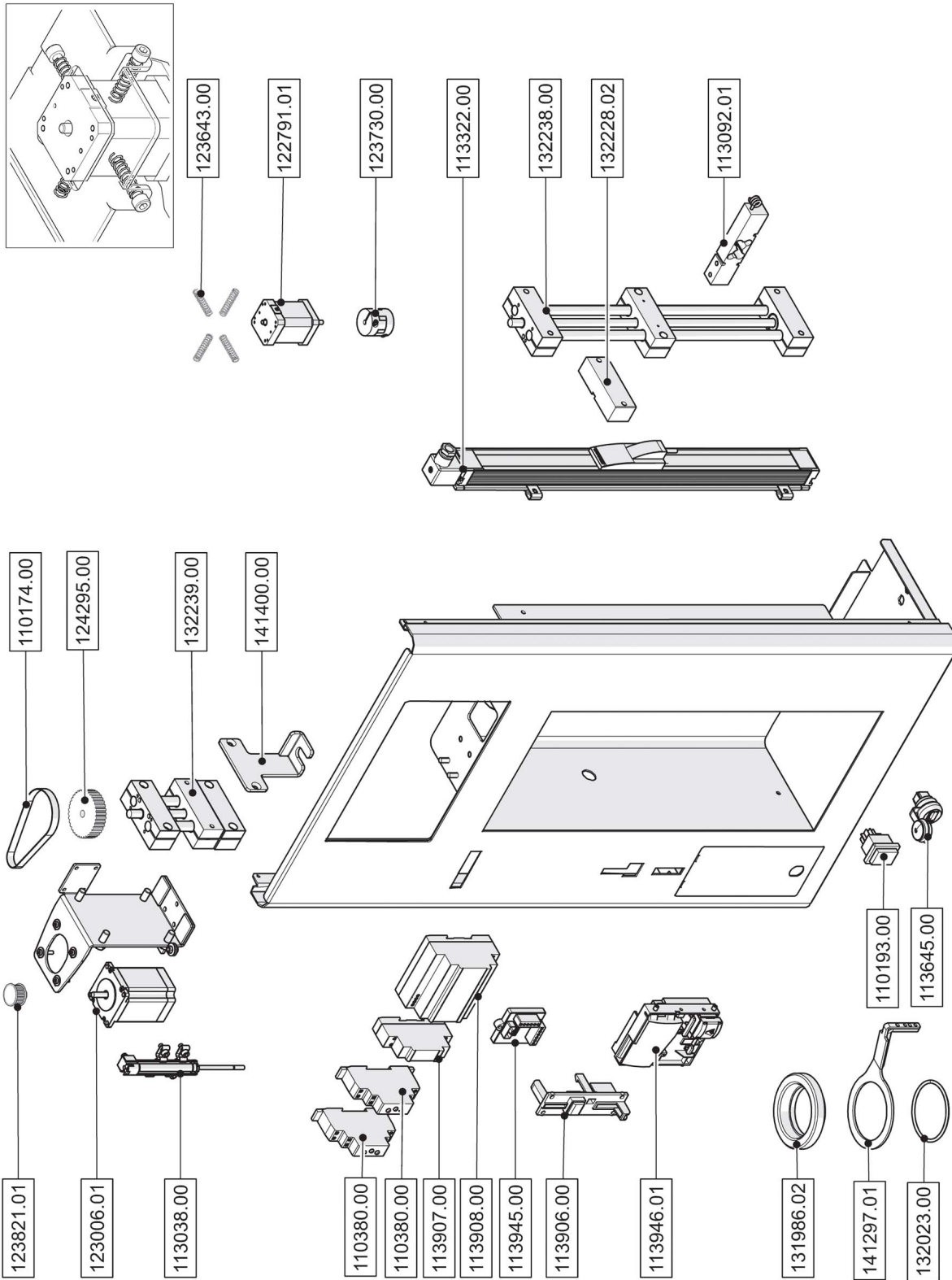
Tav. 1715 09/2020

GEL MATIC

The system is constantly updated. Thus the data shown can be subject to changes without prior notice.

## Component list

Exploded view	Item	Description	Price	Notes
1715	110033.01	FAN D=120mm 230Vac 50-60Hz		
1715	110045.00	PHOTOELECTRIC CELL 10-30Vdc NPN L=130 mm		
1715	110107.02	O-RING 17,86x2,62		
1715	110285.00	CONNECTION FOR TUBE D=10		
1715	110350.00	ANTI-CONDENSATION GASKET 150x115mm		
1715	111498.00	O-RING 2018		
1715	111763.00	FAN GUARD D=120mm		
1715	113099.00	LAMP		
1715	113120.00	FOTOCCELLULA 10-30Vdc NPN L=1000 mm		
1715	113139.00	DOOR LOCK		
1715	113733.00	SIGNAL BEACON FIXING PLATE		
1715	113734.00	SIGNAL BEACON - RED		
1715	113735.00	SIGNAL BEACON		
1715	114001.00	ASSIEME TOUCH 10"		
1715	120182.02	WATER INLET/OUTLET CONNECTIONS CONNECTOR		
1715	120183.00	HUBCAP		
1715	120187.00	PAIR OF NUTS FOR PHOTOCCELL		
1715	120420.01	ROD		
1715	122370.00	SCREW DIN 965 M6x12 ST.STEEL		
1715	122371.00	SCREW DIN 965 M6x30 ST.STEEL		
1715	123528.01	HOPPER LID		
1715	123567.01	RIGHT-HAND SIDE PANEL SELF100		
1715	123568.01	REAR PANEL SELF50-100		
1715	123583.00	CLAMPING BRACKET		
1715	123600.01	LOCK ROD FOR MACHINE LID		
1715	123602.01	ROD		
1715	123808.00	MACHINE LID FIXING SUPPORT		
1715	123875.00	DRIP-TRAY GRILL 167x152mm		
1715	123996.00	LEFT-HAND SIDE PANEL BC180-181		
1715	124471.00	PIASTRA PER GETTONIERA		
1715	124505.00	VASCHETTA MONETE 70x112x149,5mm		
1715	130055.00	CONDENSATE TRAY L=260mm		
1715	130056.01	NUT 1/2GAS		
1715	130122.00	RUBBER FOOT		
1715	130129.00	SCREW DIN 912 M8x20		
1715	131927.01	CONDUCTION LEVEL SENSOR C2		
1715	131975.00	NUT D=22 3/8 GAS		
1715	132041.00	WASHER 22/6/2mm		
1715	132043.00	ROD		
1715	132057.00	TOKEN		
1715	132107.00	C2 LEVEL SENSOR BODY		
1715	132222.01	DRIP-TRAY 239x40x189mm		
1715	133112.00	PANNELLO IN PLEXIGLASS 198x175x10mm		
1715	141590.00			



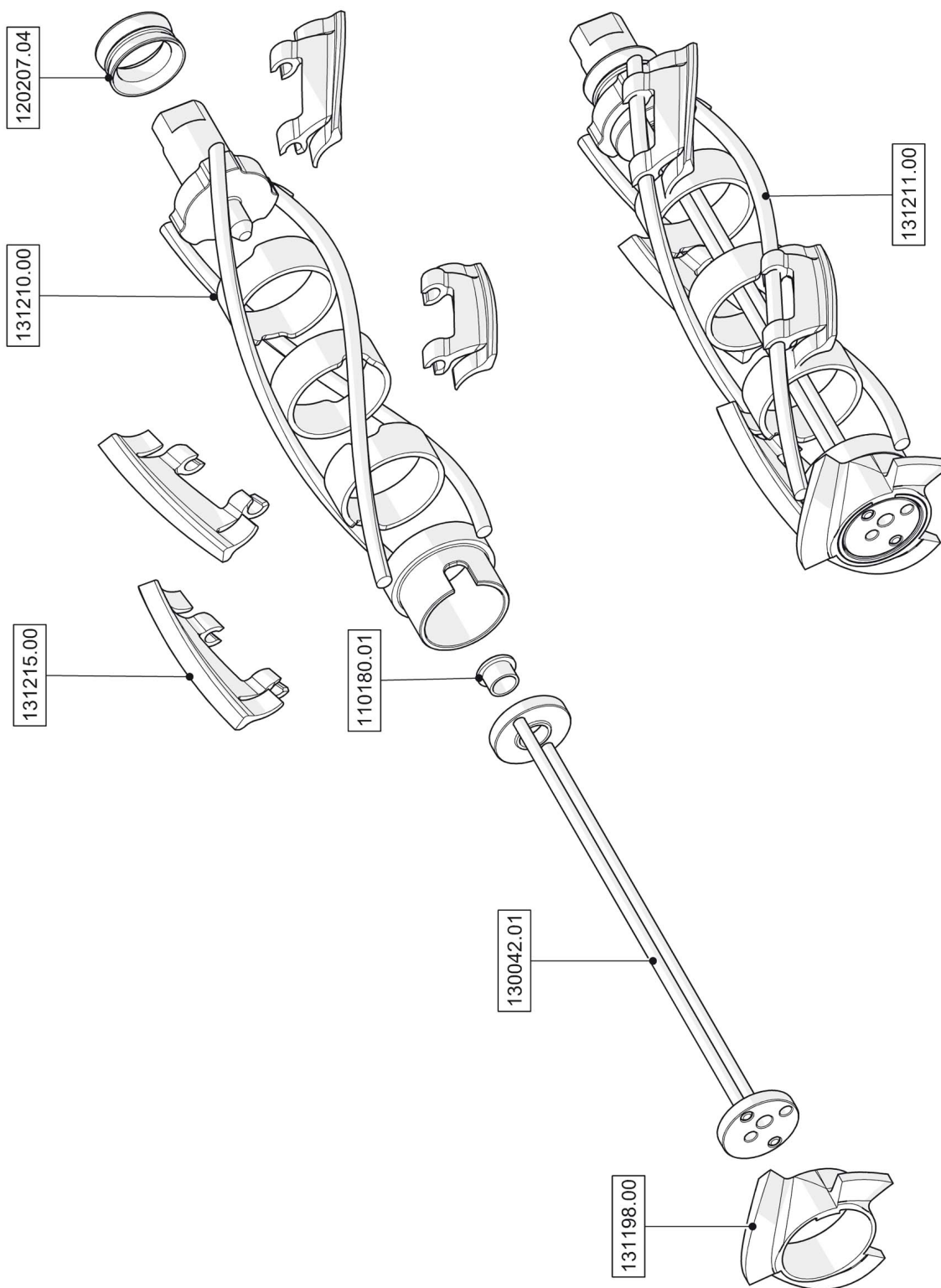
ALLESTIMENTO MECCANICO  
MECHANICAL EQUIPMENT

Tav. 1594 09/2020

The system is constantly updated. Thus the data shown can be subject to changes without prior notice.

## Component list

Exploded view	Item	Description	Price	Notes
1594	110174.00	MIXER BELT 110XL037		
1594	110193.00	SWITCH 250Vac 16A		
1594	110380.00	1-CONTACT TIME RELAY 12/240 Vac 50/60 Hz		
1594	113038.00	POSITION TRANSDUCER		
1594	113092.01	LOAD CELL 50Kg		
1594	113322.00	POSITION TRANSDUCER		
1594	113645.00	USB PANEL CONNECTOR		
1594	113906.00	INTR.MON. PP (35,5x116)		
1594	113907.00	ALIMENTATORE 12VDC 0,83A/10W		
1594	113908.00	ALIMENTATORE 24VDC 4,2A/100W		
1594	113945.00	SCHEDINO CONNESSIONE AL031DS		
1594	113946.01	GETTONIERA ELETT.AL66S FG USB		
1594	122791.01	ACTUATOR STEPPING MOTOR		
1594	123006.02	MOTORE PASSO A PASSO ATTUATORE		replaces 123006.01
1594	123643.00	COMPRESSION SPRING		
1594	123730.00	ELASTIC JUNCTION D1=5mm D2=10mm		
1594	123821.01	MIXER PULLEY 10XL037		
1594	124295.00	MIXER PULLEY 36XL037		
1594	131986.03	PORTA COPPETTE		replaces 131986.02
1594	132023.00	O-RING 170		
1594	132228.02	CUP-HOLDER FIXING PLATE BRACKET		
1594	132238.00	ATTUATORE ALZACOPPETTE IGUS L=305mm		
1594	132239.00	CUP MOVEMENT ACTUATOR L=35mm		
1594	141297.01	ASSIEME ALZA COPPETTE		
1594	141400.00	PISTON LIFT BRACKET		



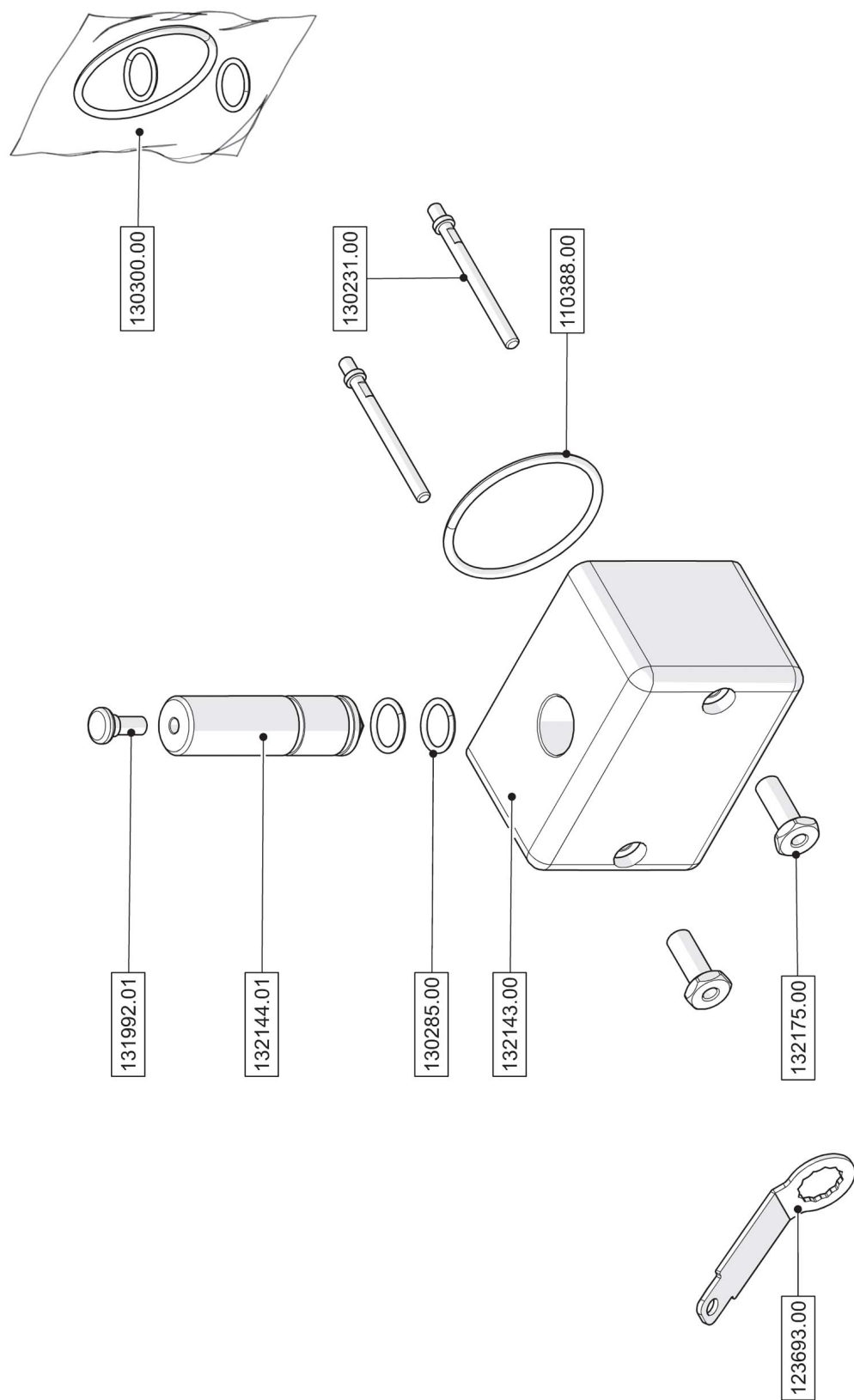
	<b>GEL MATIC</b> <b>Tav. 706</b>	11/2015	<b>AGITATORE</b> <b>BEATER</b>	SF1 - Serie B SF1 - B series
--	-------------------------------------	---------	-----------------------------------	---------------------------------

The system is constantly updated. Thus the data shown can be subject to changes without prior notice.



## Component list

Exploded view	Item	Description	Price	Notes
706	110180.02	BOCCOLA PER AGITATORE D=20 L=11,5mm		replaces 110180.01
706	120207.06	BEATER SEALING RING		replaces 120207.04
706	130042.03	BEATER IDLER LS1-B		replaces 130042.01
706	131198.04	COCLEA AGITATORE SF1 SERIE S-B		replaces 131198.00
706	131210.02	CORPO AGITATORE SF2-B		replaces 131210.00
706	131211.03	AGITATORE SF2-B		replaces 131211.00
706	131215.03	BEATER BLADE SF1-B		replaces 131215.00



SELF GEL 1, SELF GEL 1 UP, design cube S00, colore nero, 1 pistone  
 SELF GEL 1, SELF GEL 1 UP, S00 design cube, black colour, a piston

GRUPPO EROGAZIONE  
 DISPENSING DOOR

05/2017

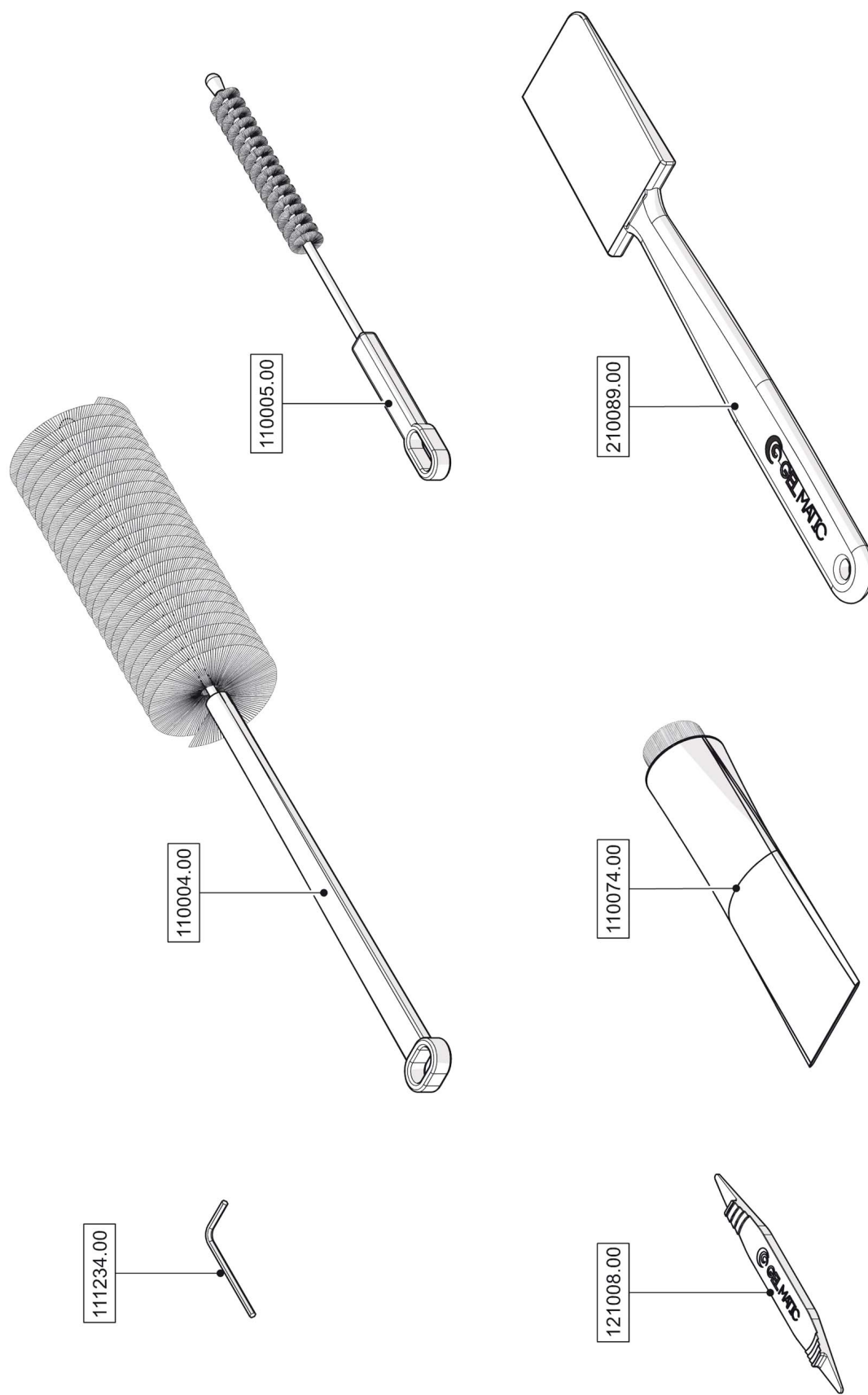
Tav. 1054




The system is constantly updated. Thus the data shown can be subject to changes without prior notice.

## Component list

Exploded view	Item	Description	Price	Notes
1054	110388.00	O-RING 6337		
1054	123693.00	BENT WRENCH		
1054	130231.01	DISPENSING UNIT TIE ROD		replaces 130231.00
1054	130285.00	O-RING		
1054	130300.00	DISPENSING UNIT GASKETS KIT 1/2L B		
1054	131992.01	ROD		
1054	132143.00	DISPENSING UNIT BODY B1 PM CU N 1L		
1054	132144.01	PISTONE LATERALE NERO D=33mm L=139mm		
1054	132175.00	FASTENING KNOB M8		

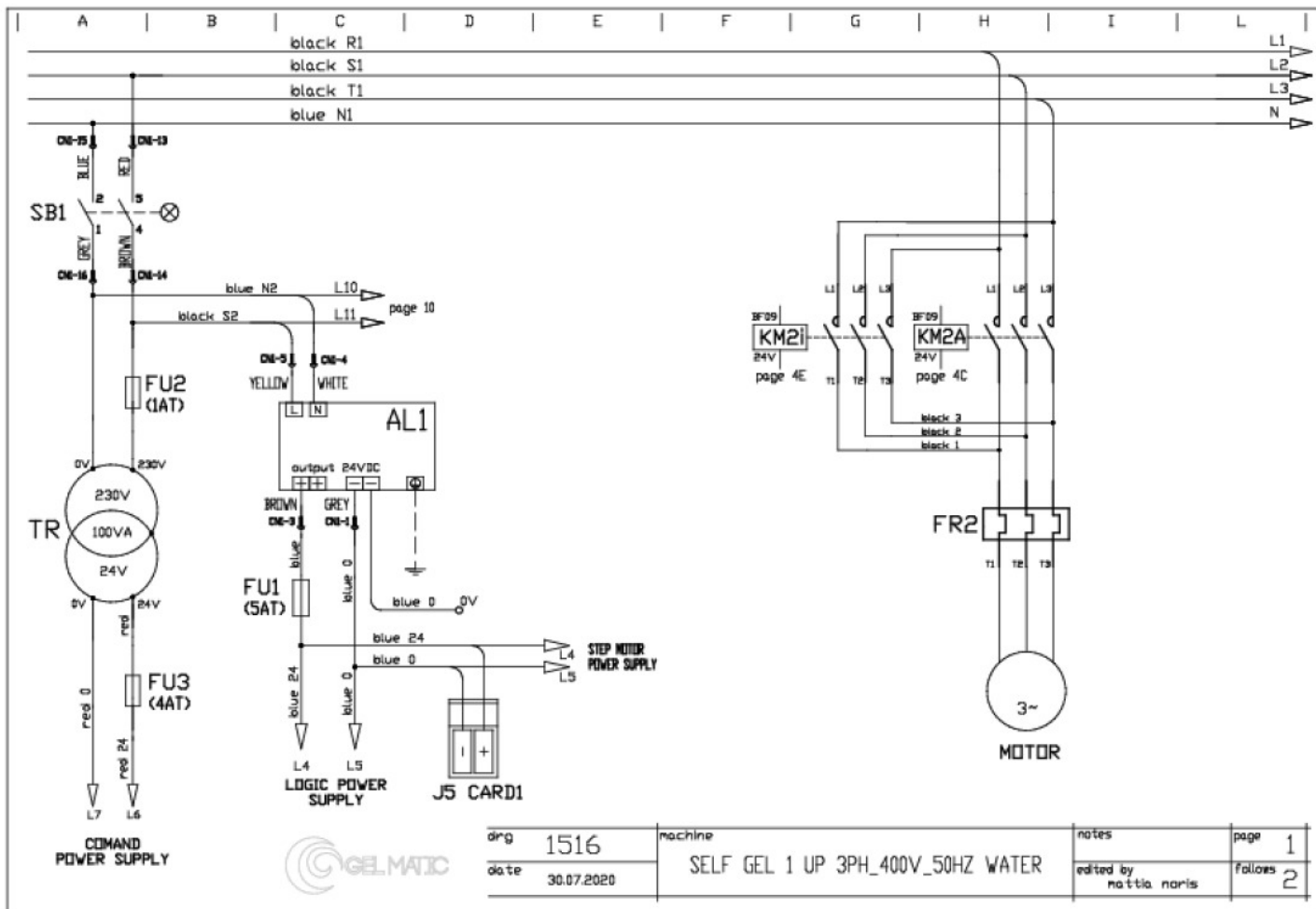


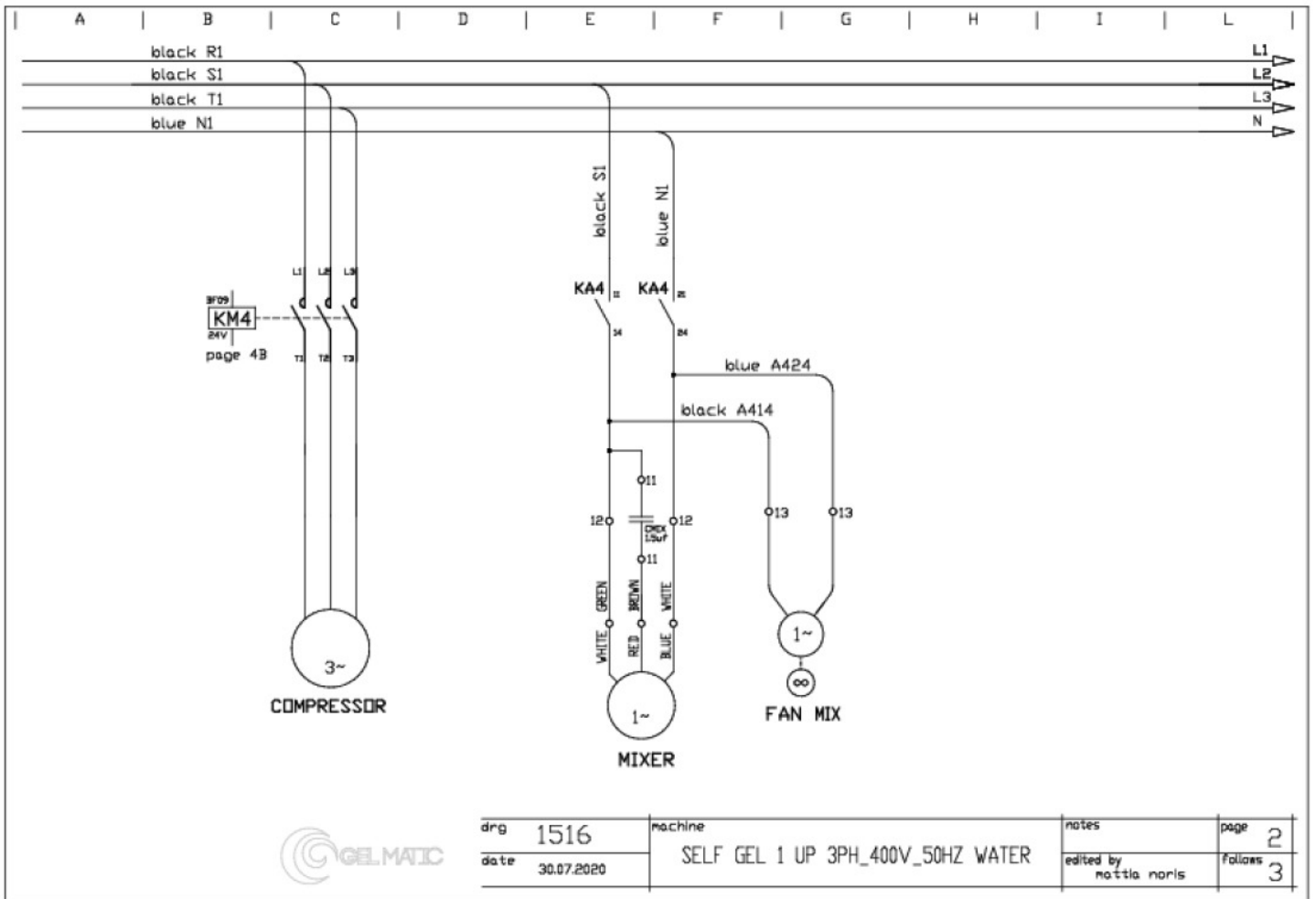
	<b>Tav. 978</b>	<b>ACCESSORI ACCESSORIES</b>	Strumenti per manutenzione ordinaria <i>Ordinary maintenance equipment</i>
---	-----------------	----------------------------------	---

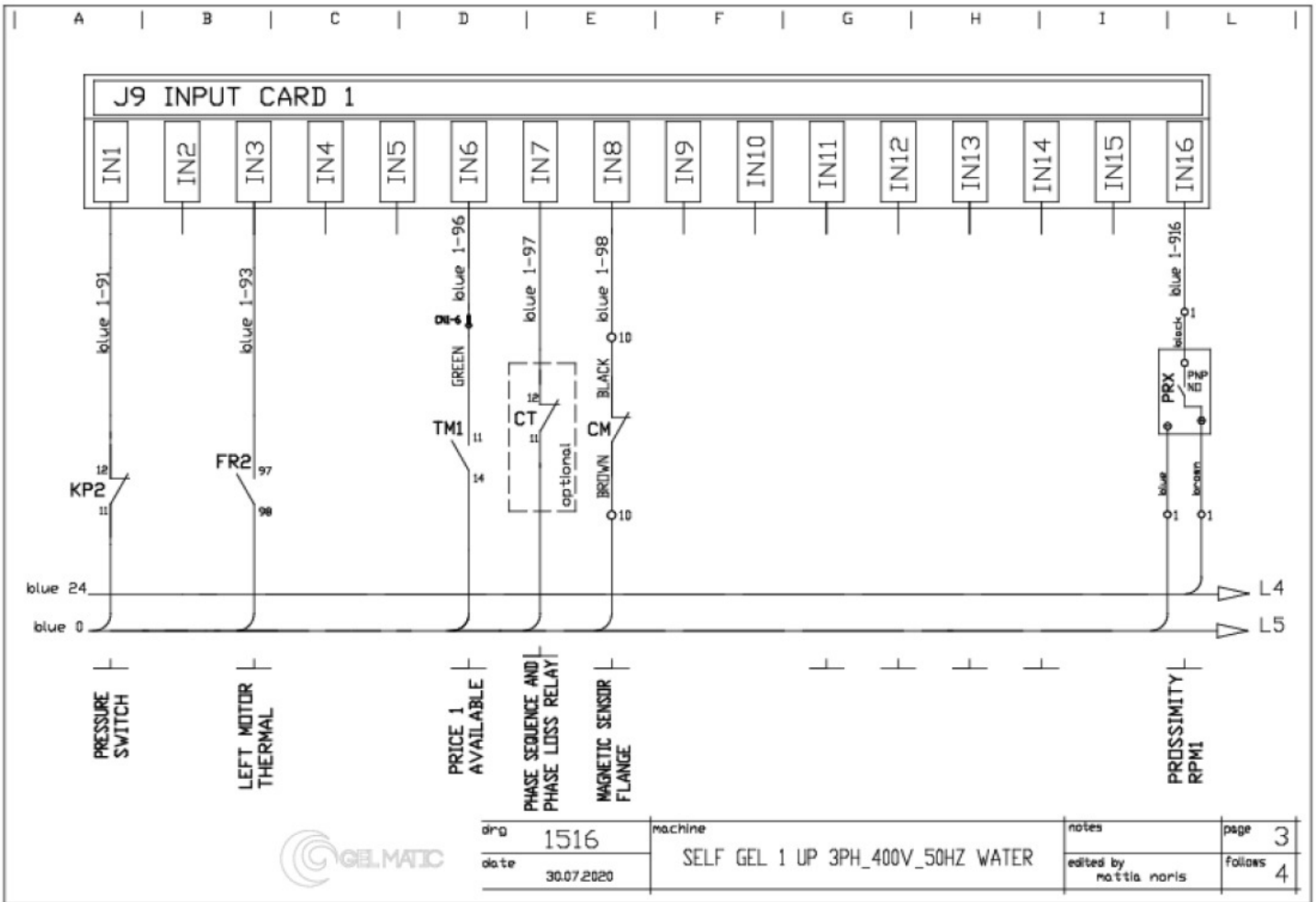
The system is constantly updated. Thus the data shown can be subject to changes without prior notice.

## Component list

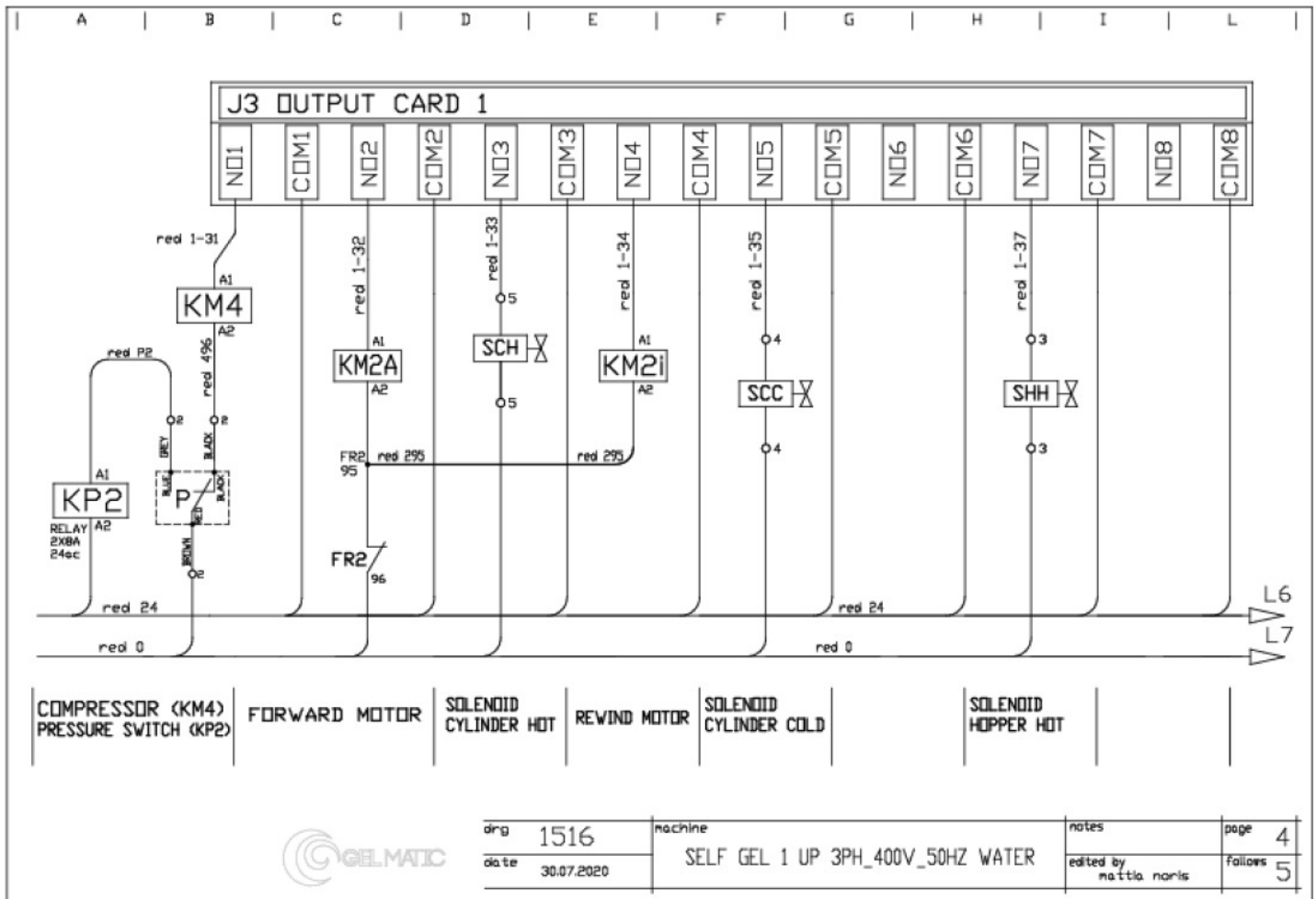
Exploded view	Item	Description	Price	Notes
978	110004.01	CLEANING BRUSH L=160mm		replaces 110004.00
978	110005.00	CLEANING BRUSH L=100mm		
978	110074.00	LUBRICANT TUBE		
978	111234.00	ALLEN KEY 2,5mm		
978	121008.00	O-RING REMOVER		
978	210089.00	WHITE SPATULA WITH LOGO		



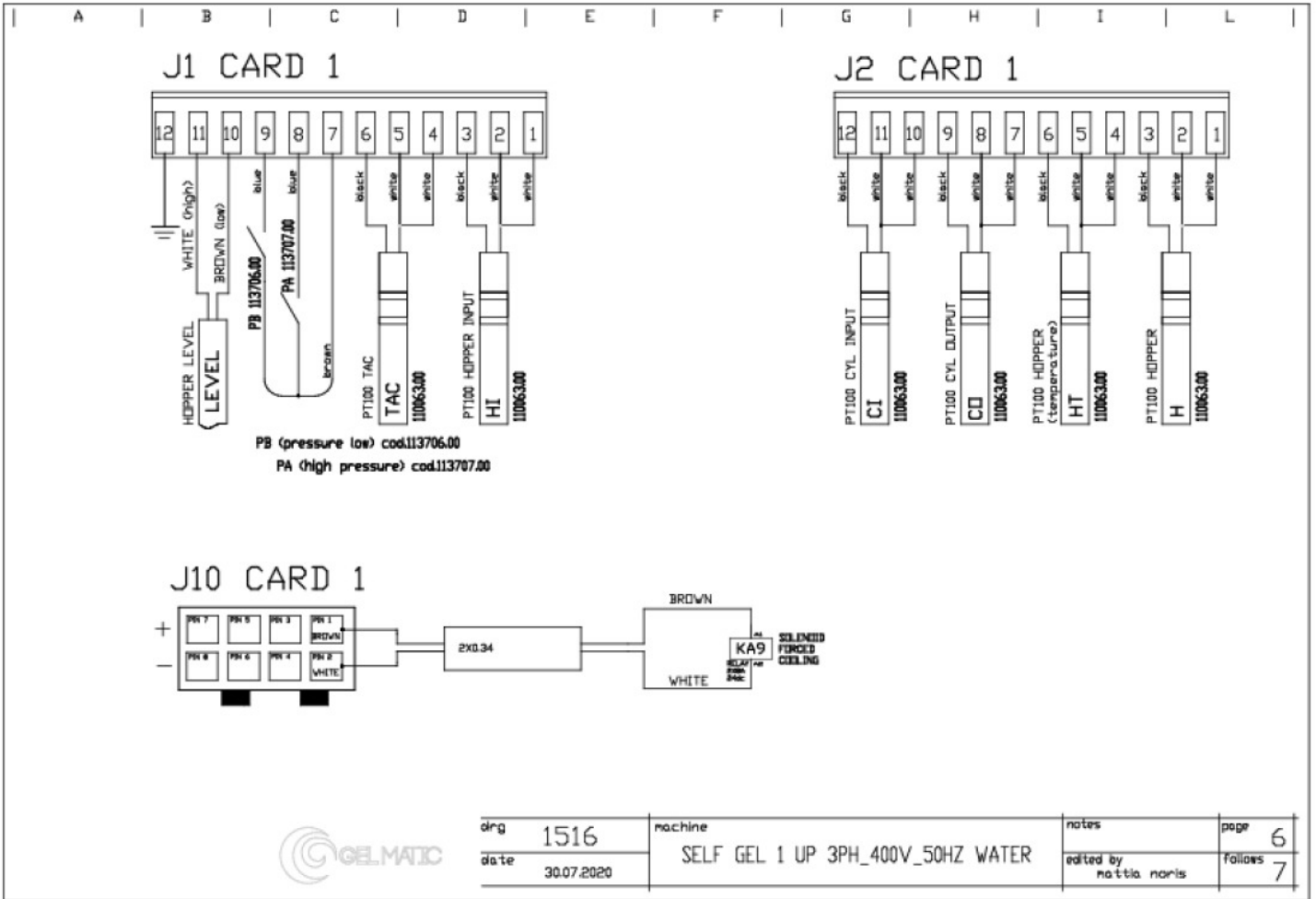


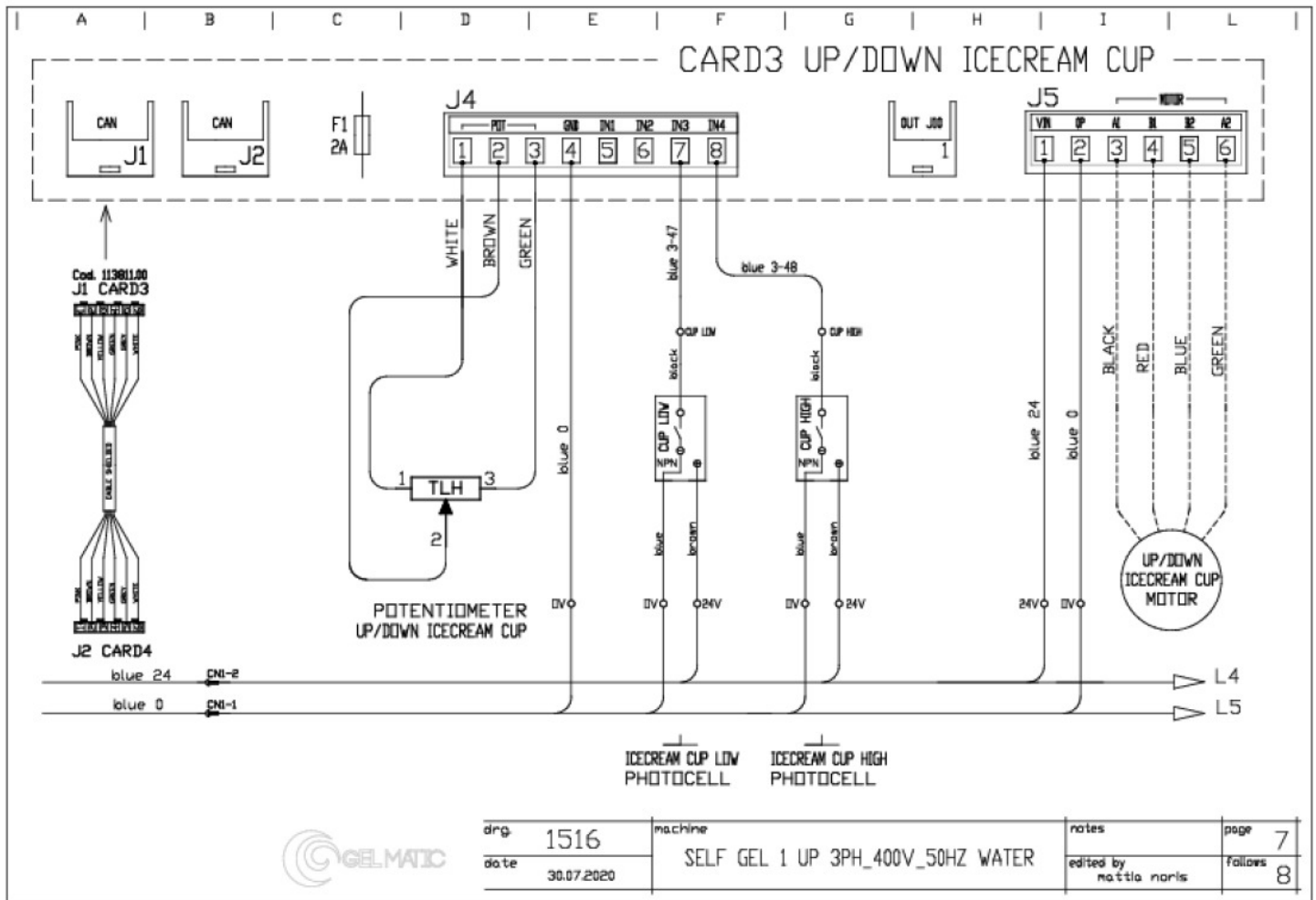


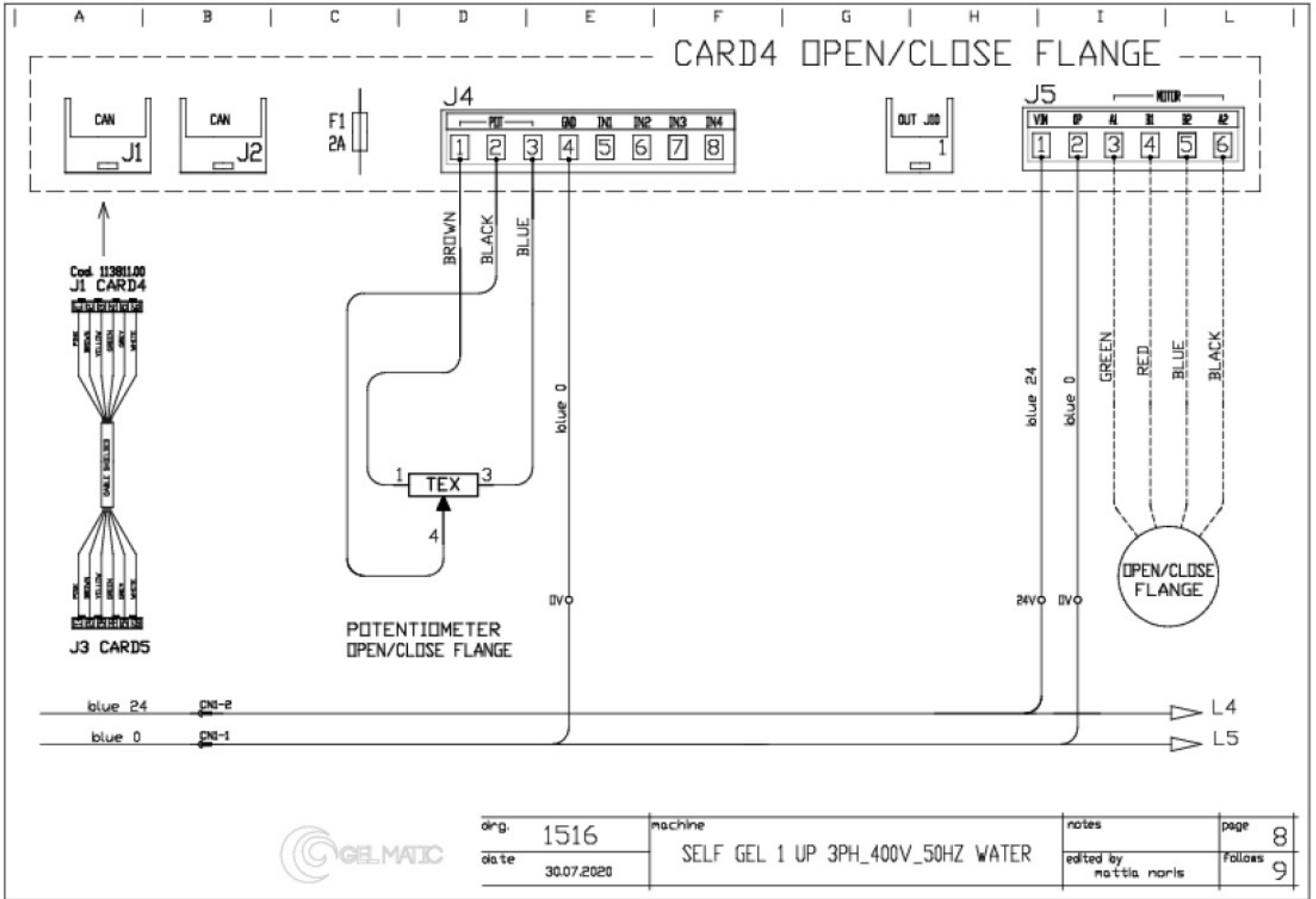


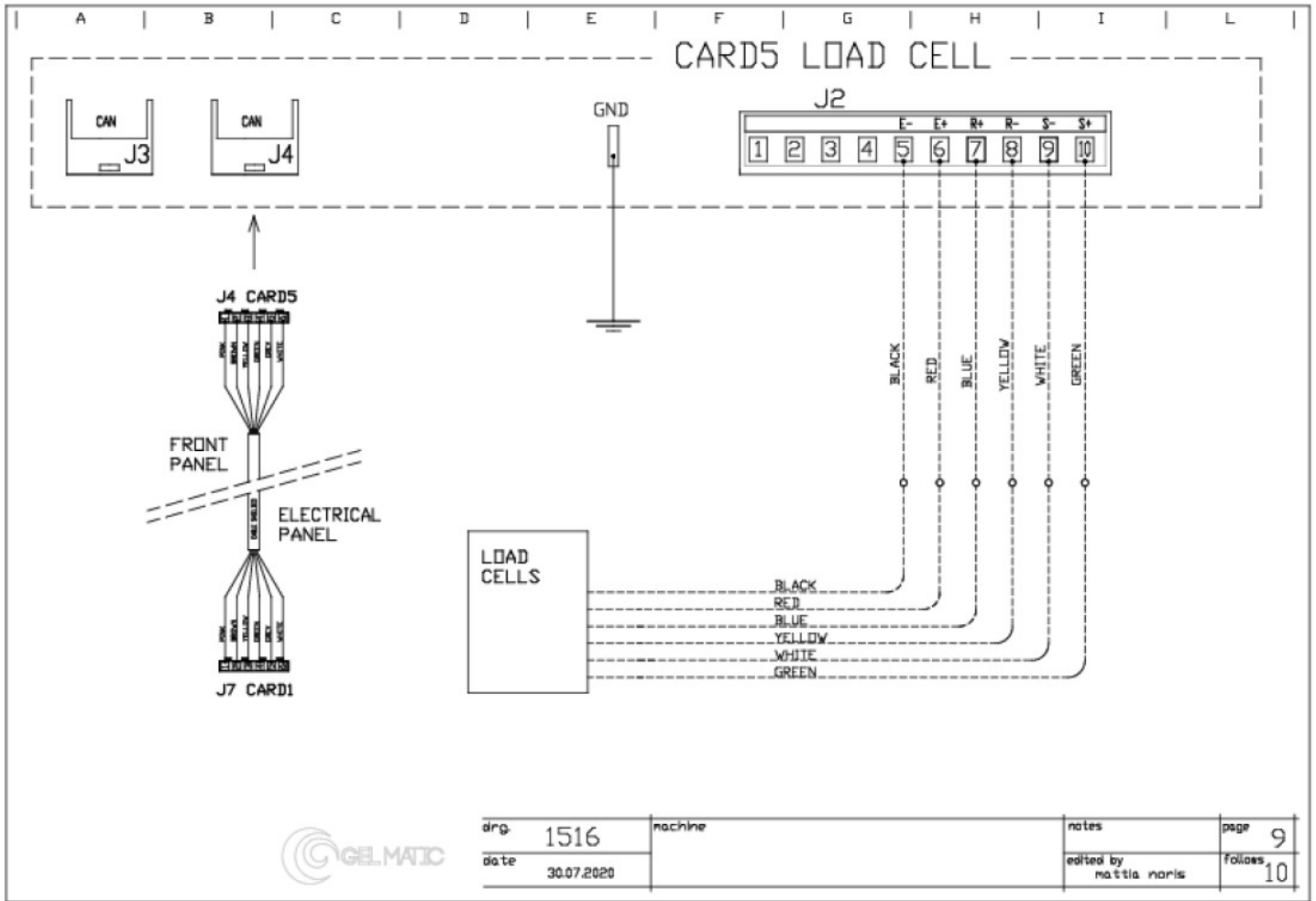




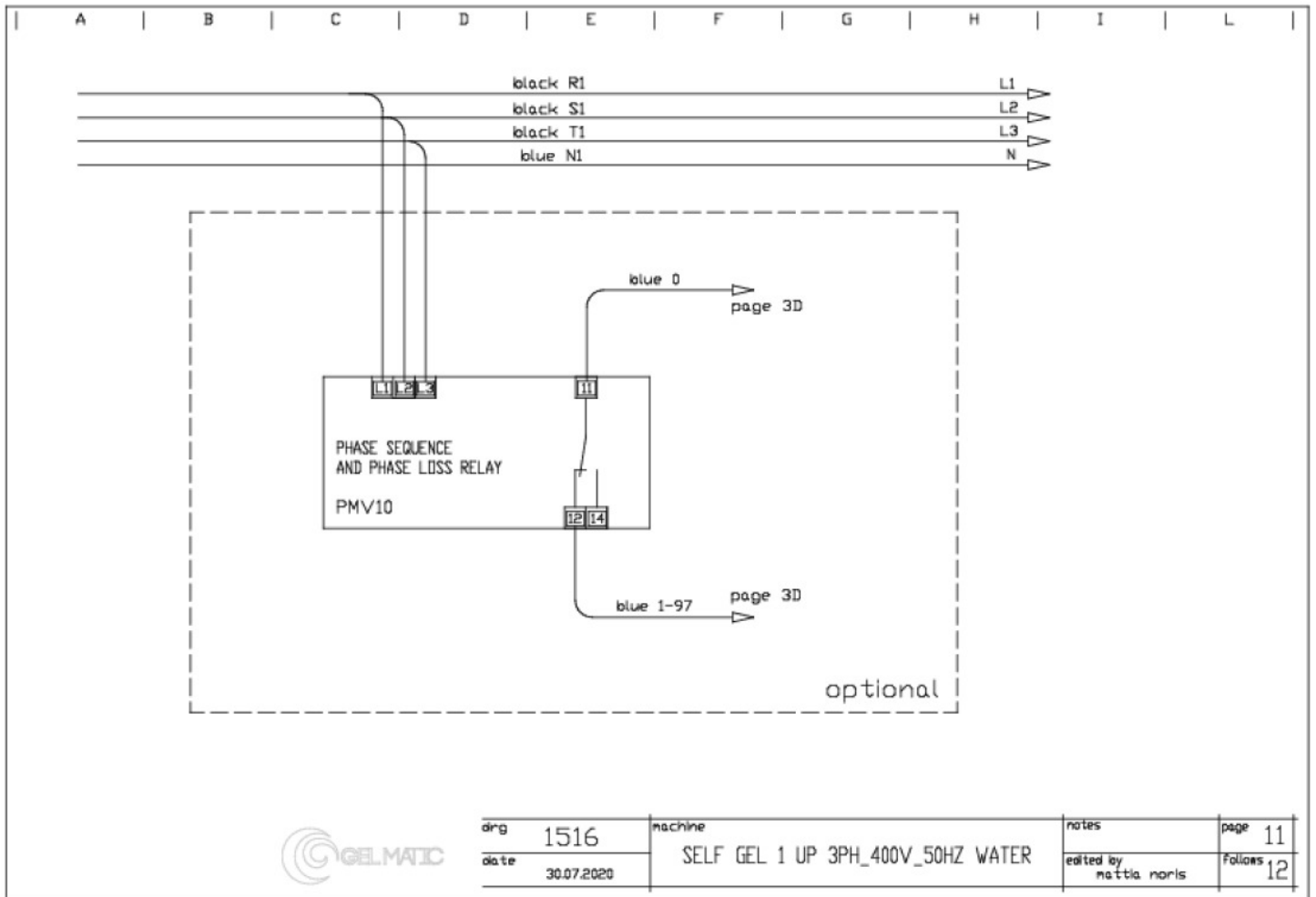




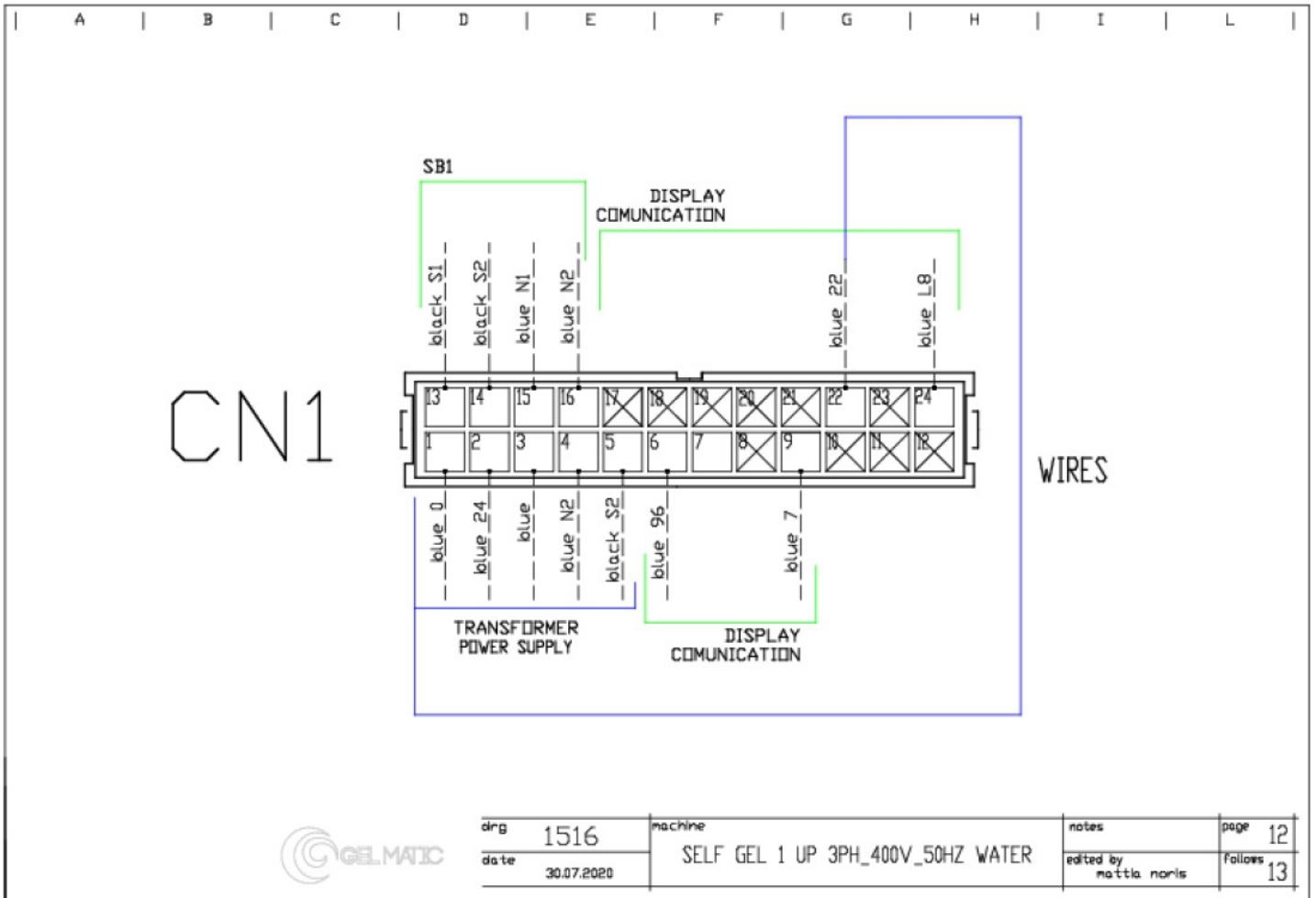


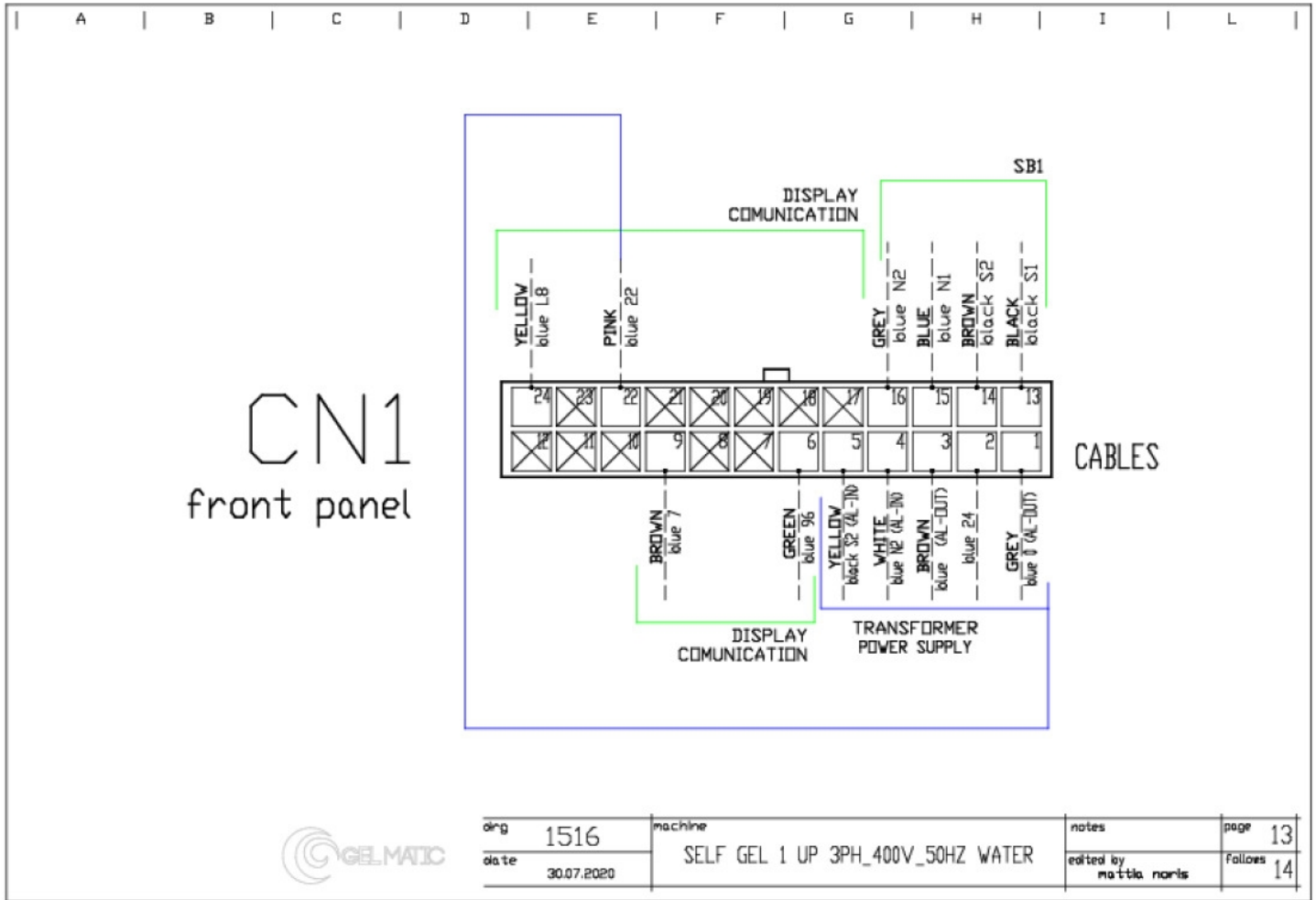








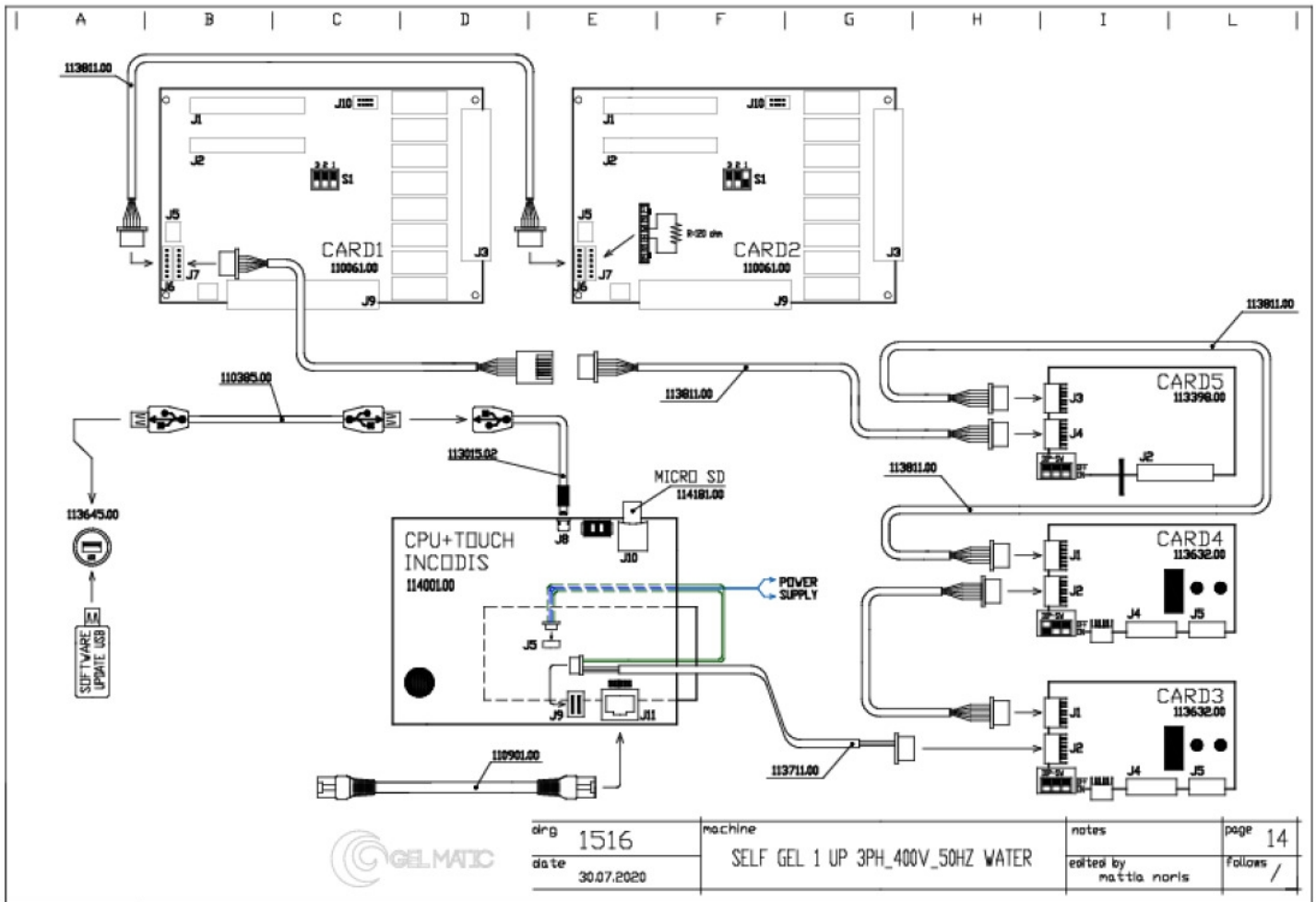




dng 1516  
 date 30.07.2020

machine SELF GEL 1 UP 3PH\_400V\_50HZ WATER

notes	page 13
edited by mattia noris	Follows 14



## Component list

List - L1259	Item	Description	Price	Notes
L1259	110001.00	MAGNETIC SENSOR 24-150 Vac		
L1259	110033.01	FAN D=120mm 230Vac 50-60Hz		
L1259	110042.00	DANFOSS COIL 24Vac 50-60Hz		
L1259	110045.00	PHOTOELECTRIC CELL 10-30Vdc NPN L=130 mm		
L1259	110047.01	INDUCTIVE SENSOR M12 PNP-NO L=4mm		
L1259	110048.02	CONNETTORE M12 4PIN L=2m		replaces 110048.01
L1259	110061.00	INCODIS I/O BOARD		
L1259	110063.00	PT100 TEMPERATURE PROBE		
L1259	110131.00	THERMAL RELAY 1,6:2,5A RF38		
L1259	110135.00	PANEL FUSE-HOLDER		
L1259	110136.00	TRIPOLAR CONTACTOR 9A 24Vac 50/60Hz		
L1259	110144.00	2-CONTACT RELAY 24Vac 8A WITH BASE		
L1259	110145.00	2-CONTACT RELAY 24Vdc 8A WITH BASE		
L1259	110193.00	SWITCH 250Vac 16A		
L1259	110220.00	FAN CONNECTION TERMINAL		
L1259	110277.01	FUSE 2 A T 5x20		
L1259	110278.00	FUSE 5A T 5x20		
L1259	110295.01	CONNETTORE PER BOBINA		
L1259	110338.00	FUSE 1A T 5x20		
L1259	110339.00	FUSE 4A T 5x20		
L1259	110380.00	1-CONTACT TIME RELAY 12/240 Vac 50/60 Hz		
L1259	110636.01	POWER CORD		
L1259	110874.00	2-CONTACT RELAY 24Vac 8A		
L1259	110879.01	BUZZER INTERMITTENTE 24Vac/dc		replaces 110879.00
L1259	110901.00	ETHERNET DATA CABLE		
L1259	111481.00	2-CONTACT RELAY 24Vdc 8A		
L1259	111628.00	TRANSFORMER 1Ph 100VA 220-230V 0-24V		
L1259	113015.02	CAVO USB OTG "A" 700mm		
L1259	113092.01	LOAD CELL 50Kg		
L1259	113099.00	LAMP		
L1259	113120.00	FOTOCELLULA 10-30Vdc NPN L=1000 mm		
L1259	113390.00	3-POLE CONNECTOR M8		
L1259	113398.00	LOADING CELL MANAGEMENT CARD		
L1259	113632.00	STEPPING MOTOR MANAGEMENT CARD		
L1259	113706.00	PRESSURE TRANSMITTERS		
L1259	113707.00	PRESSURE TRANSMITTERS		
L1259	113711.00	DATA CABLE Ref. No. 9022		
L1259	113735.00	SIGNAL BEACON		
L1259	113811.00	DATA CABLE Ref. No. 9013		
L1259	113907.00	ALIMENTATORE 12VDC 0,83A/10W		
L1259	113908.00	ALIMENTATORE 24VDC 4,2A/100W		
L1259	113945.00	SCHEDINO CONNESSIONE AL031DS		
L1259	113946.01	GETTONIERA ELETT.AL66S FG USB		
L1259	113947.00	CAVO FLAT. 10 POLI L=500mm		
L1259	114001.00	ASSIEME TOUCH 10"		
L1259	114181.00	SCHEDA MICRO SD 4GB C/SOFTWARE TOUCH 10"		
L1259	121377.00	CAPACITOR 2 ÅµF		
L1259	130703.00	CAPACITOR 1,5µF		